

INSTALLATION, OPERATION AND MAINTENANCE INSTRUCTIONS



Privacy Vision Panels (for timber doors)

Contents

1. Introduction
 2. Installation & Storage
 3. Supplier contact details
 4. Troubleshooting
 5. COSHH data sheets
-



Intastop - privacy vision panels for timber doors & screens

- Hospitals
- Surgeries
- Theatres
- Banks
- Offices
- Public Buildings
- Police Stations
- Shops

Standard Units

400x400mm
250x800mm

Special sizes

up to 0.22m² available

1. Introduction

Intastop privacy vision panels are a high performance yet cost effective solution for projects where privacy viewing panels are required.

Intastop privacy vision panels are available in a variety of options and sizes for Non Fire, FD30 and FD60 fire door applications

Intastop privacy vision panels are available using stock components in 2 standard sizes 404mm x 404mm and 254mm x 804mm. Special sized units up to a maximum area of glazing 0.22m² are available to special order.

Intastop privacy vision panels may be installed into any door set that is capable of demonstrating a minimum of 30 or 60 minutes integrity (as appropriate) when including a glazing system tested in accordance with BS476 part 22 1987.

Glazing installation system and intumescent details must remain as tested.

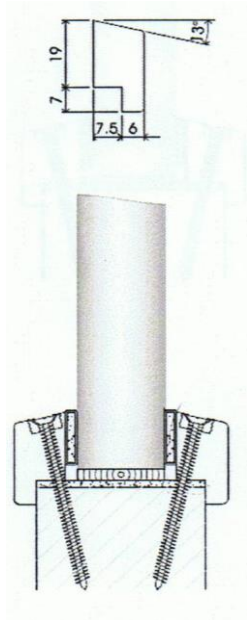
2. Storage, Installation and Maintenance

1. Always handle, store and transport panels carefully.
 2. Store in supplied box and packaging until installation.
 3. Do not store in a damp environment.
 4. Do not stand directly on the floor.
 5. In Non Fire applications the cut out in the door leaf should be as per the panel size, see figure 1 below showing bead details.
 6. In FD30 applications the cut out in the door leaf should be cut 10mm larger than the actual panel that is to be fitted.
 7. In FD60 applications the cut out in the door leaf should be cut 8mm larger than the actual panel that is to be fitted.
 8. Glazing beads (not supplied) should be hardwood of a minimum density of 540 kg/m³ for FD30 and minimum of 640kg/m³ for FD60. All glazing beads should be secured in position with 50mm long x 2mm diameter steel pins inserted at nominally 150mm centres and perpendicular to the bead splay.
 9. Intumescent gaskets for FD30 or FD60 units are to be fitted in accordance with the detailed drawing below.
 10. Secure glazing beads to one side of door prior to installing the panel.
 11. Remove panel from box vertically and check panel operates smoothly prior to securing into position.
 12. Position panel into opening and set on timber / MDF spacing blocks.
 13. Fix secondary glazing beads ensuring fixing pins do not strike unit.
 14. A final check should ensure no movement of the unit between the beads.
 15. For cleaning purposes use only soluble none abrasive detergents, soaps or glass cleaners. Use window leathers only, do not use bristle brushes or paper towels
 16. Squeegees or soft lint free materials are recommended for drying. Ensure any moisture is removed
 17. **The importance of correct installation of the panel cannot be emphasised too strongly.**
-

Storage, Installation and Maintenance

(continued)

FD30 (Figure 1) – Bead/Intumescent Detail for 6-6 panel (Std. 22mm Thick Panel – 44mm Door)



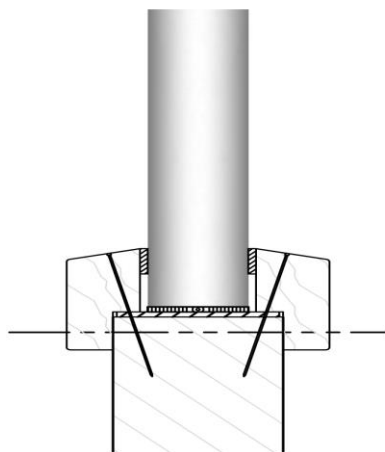
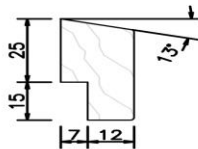
Glazing Aperture lining – ISL Thermaline 45x2mm thick

Glazing System – ISL ThermaGlaze 15x4mm thick

Glazing Spacer – 3mm MDF packer

Beading – Hardwood minimum density of 540kg/m³

FD30 (Figure 2) – Bead/Intumescent Detail for 6-10 panel (Std. 26mm Thick Panel – 44mm Door)



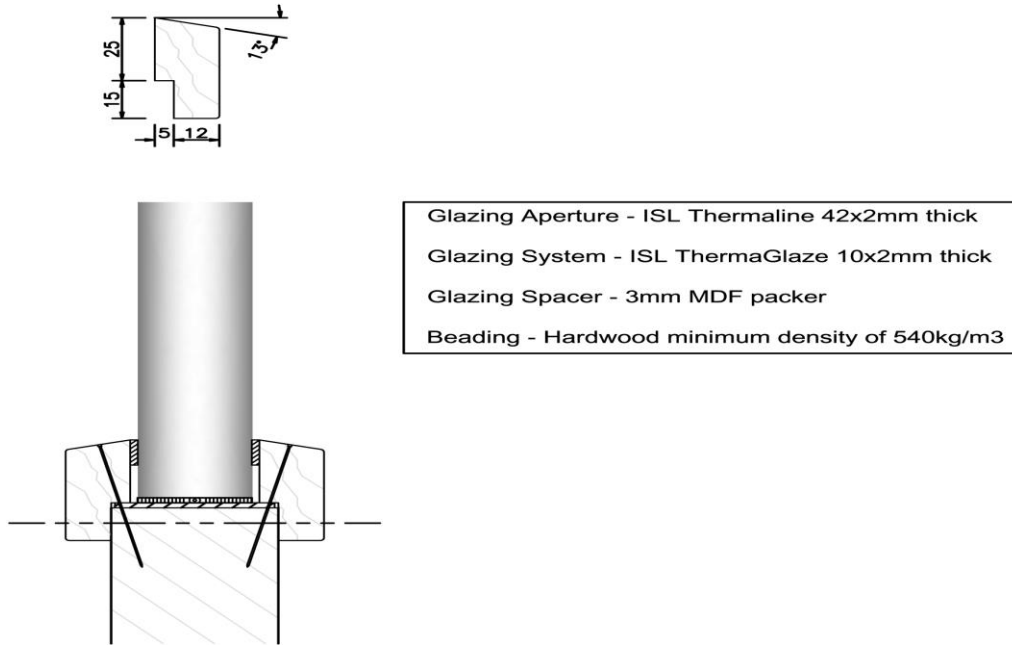
Glazing Aperture - ISL Thermaline 42x2mm thick

Glazing System - ISL ThermaGlaze 10x2mm thick

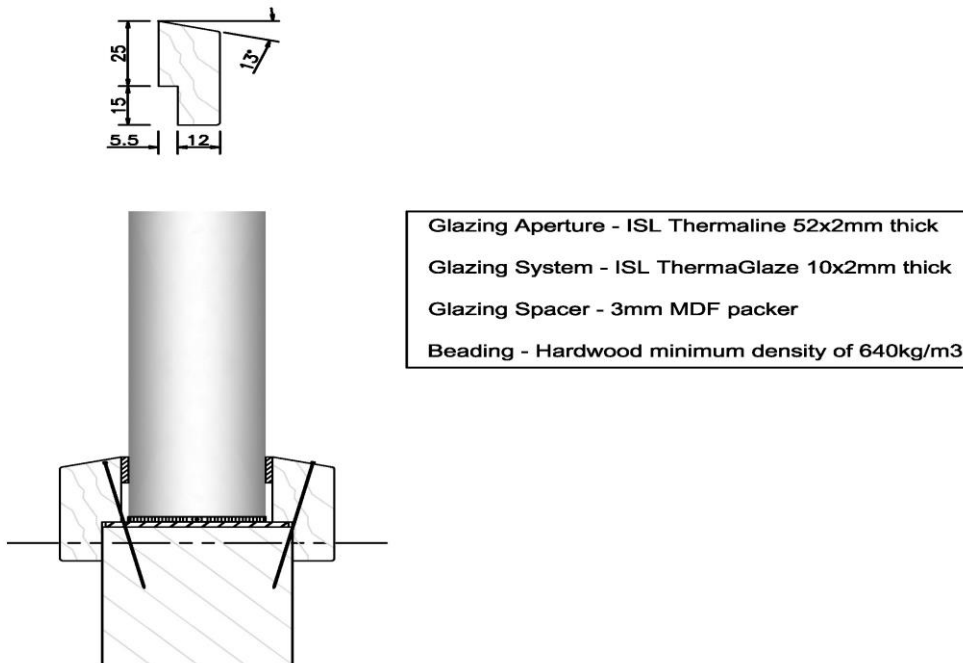
Glazing Spacer - 3mm MDF packer

Beading - Hardwood minimum density of 540kg/m³

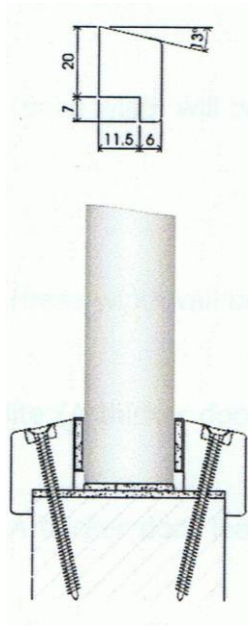
FD30 (Figure 3) – Bead/Intumescent Detail for 10-10 panel (Std. 30mm Thick Panel – 44mm Door)



FD30 (Figure 4) – Bead/Intumescent Detail for 10-19 panel (Std. 39mm Thick Panel – 54mm Door)

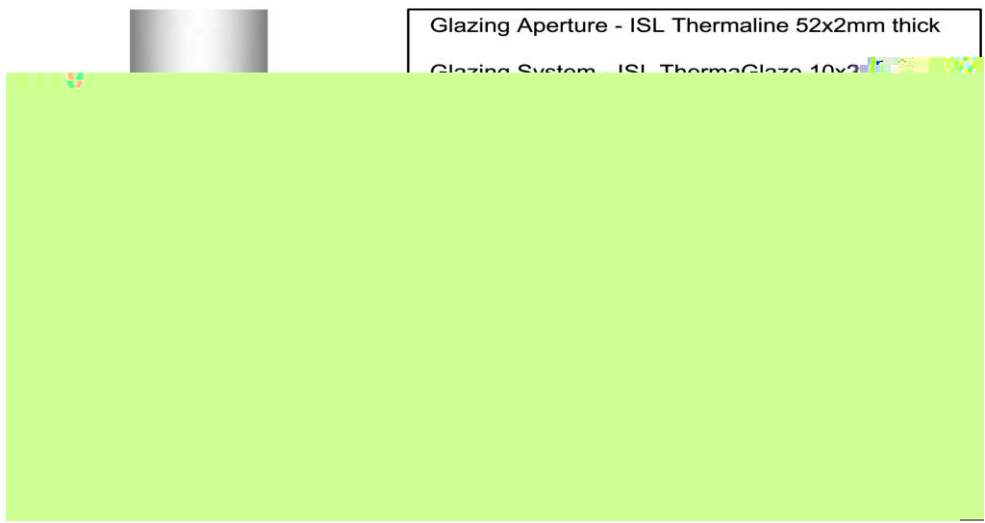
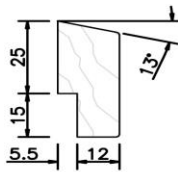


FD60 (Figure 1) – Bead/Intumescent Detail for 6-7 panel (Std. 23mm Thick Panel – 54mm Door)



Glazing Aperture lining – ISL Thermaline 54x2mm thick
 Glazing System – ISL ThermaGlaze 15x4mm thick
 Glazing Spacer – ISL Thermaline 25x2mm thick
 Beading – Hardwood minimum density of 640kg/m³

FD60 (Figure 2) – Bead/Intumescent Detail for 10-19 panel (Std. 39mm Thick Panel – 54mm Door)



Glazing Aperture - ISL Thermaline 52x2mm thick
 Glazing System - ISL ThermaGlaze 10x2mm thick

3. Contact information

Intastop Ltd
Holly Street
Kelham Industrial Estate
Doncaster
DN1 3TR

telephone 01302 364666

fax 01302 364777

visit our website at:

www.intastop.com

4. Trouble shooting

In the unlikely event that a fault is discovered with your unit please contact **Intastop** immediately and do not attempt repairs unless advised otherwise.

However, abnormal operation can be due to poor installation and initial aperture preparation. Examples as follows;

- Incorrect aperture preparation either dimensionally or out of square.
 - Beads applied too tightly to the door and unit.
 - Incorrect intumescent installation.
 - Loose handles - grub screw not secured tightly.
 - Panels must be at room temperature before installation.
-

5. COSHH Data

Non-fire rated Panels

6mm toughened / 6mm toughened.

FD30 Panels

6mm toughened / 6mm toughened with 15mm x 3mm intumescent inbetween the bead and the panel and 42 x 2mm intumescent between aperture and the panel.

FD60 Panels

6mm toughened / 7mm FD30 glass with 15mm x 3mm intumescent in between the bead and the panel and 42 x 2 intumescent between aperture and the panel, together with a 25x2mm thick glazing spacer.
