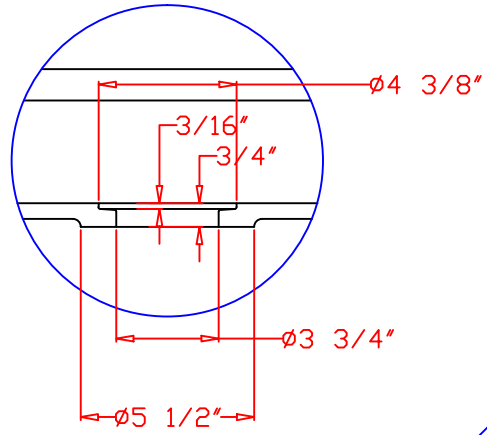
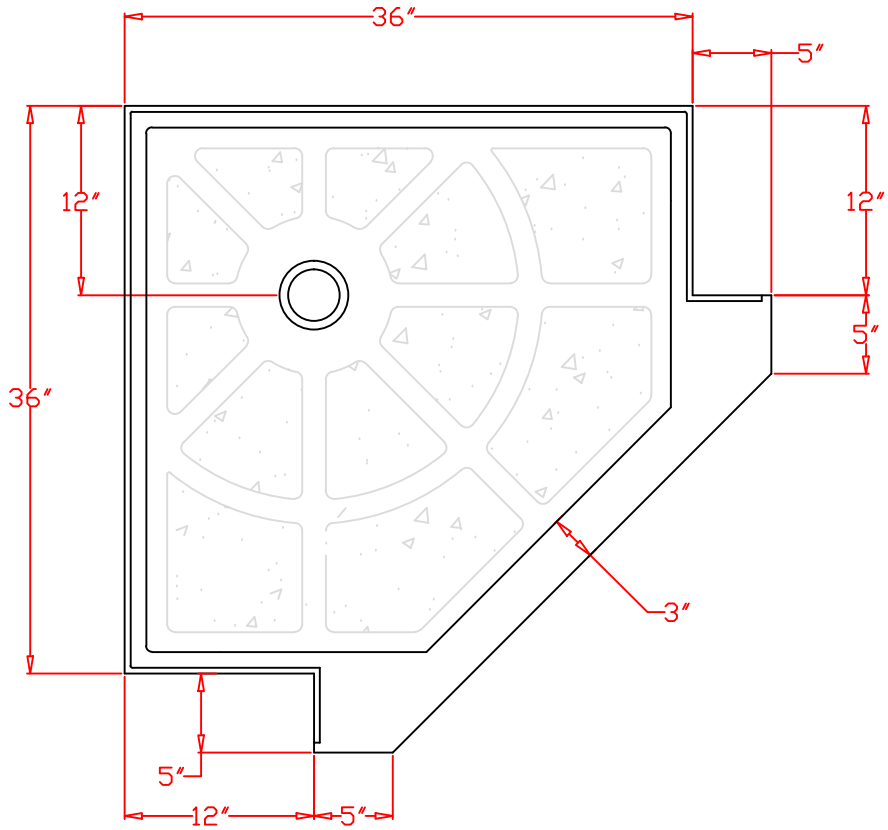
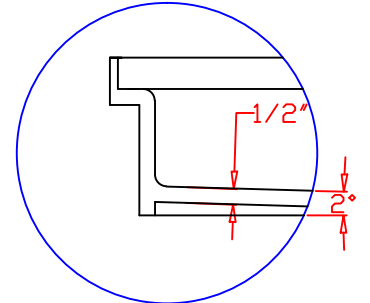


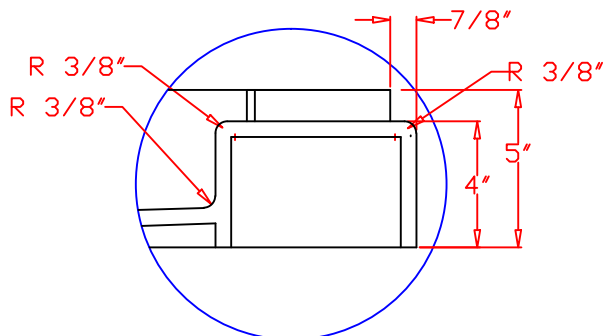
REVISIONS		
REV	DESCRIPTION	DATE
00	INITIAL DRAWING	02/08/16



DRAIN
DETAIL



SIDE WALL
DETAIL



THRESHOLD
DETAIL



SIDE WALL
DETAIL

DRAIN
DETAIL

THRESHOLD
DETAIL

DESCRIPTION 36" x 36" Neo-Angle Shower Pan

durasein[®]
World's Leading Surfacing Innovator

CODE	
PROJECT	
LOCATION	
COLOR	
PAGE	01 of 01

DRAWING NOT TO SCALE
TOLERANCES: $\pm 1/8$ "