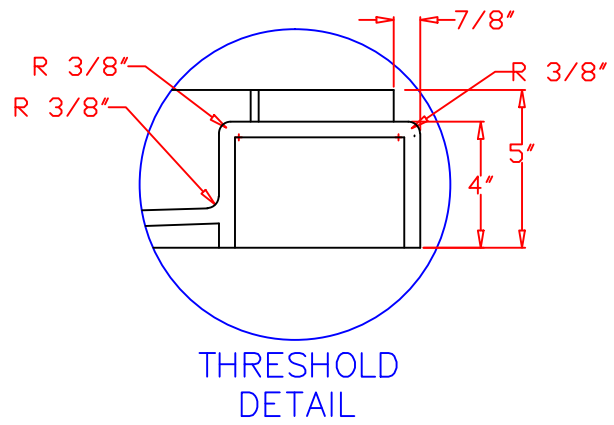
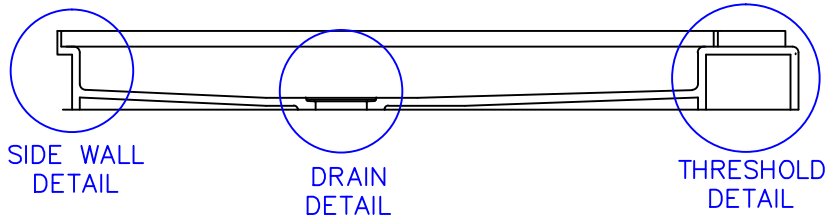
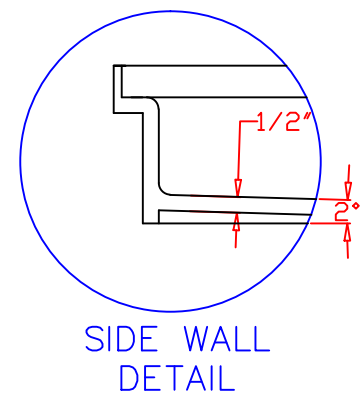
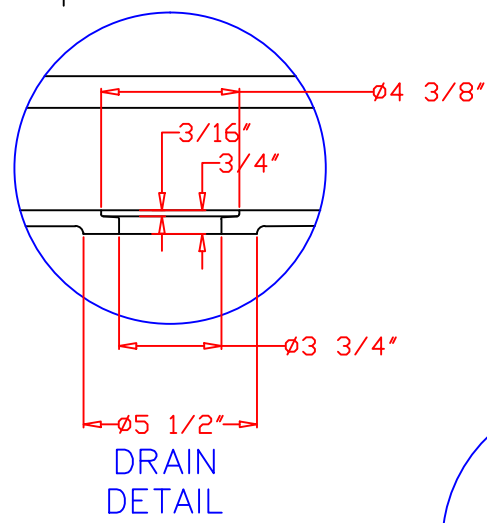
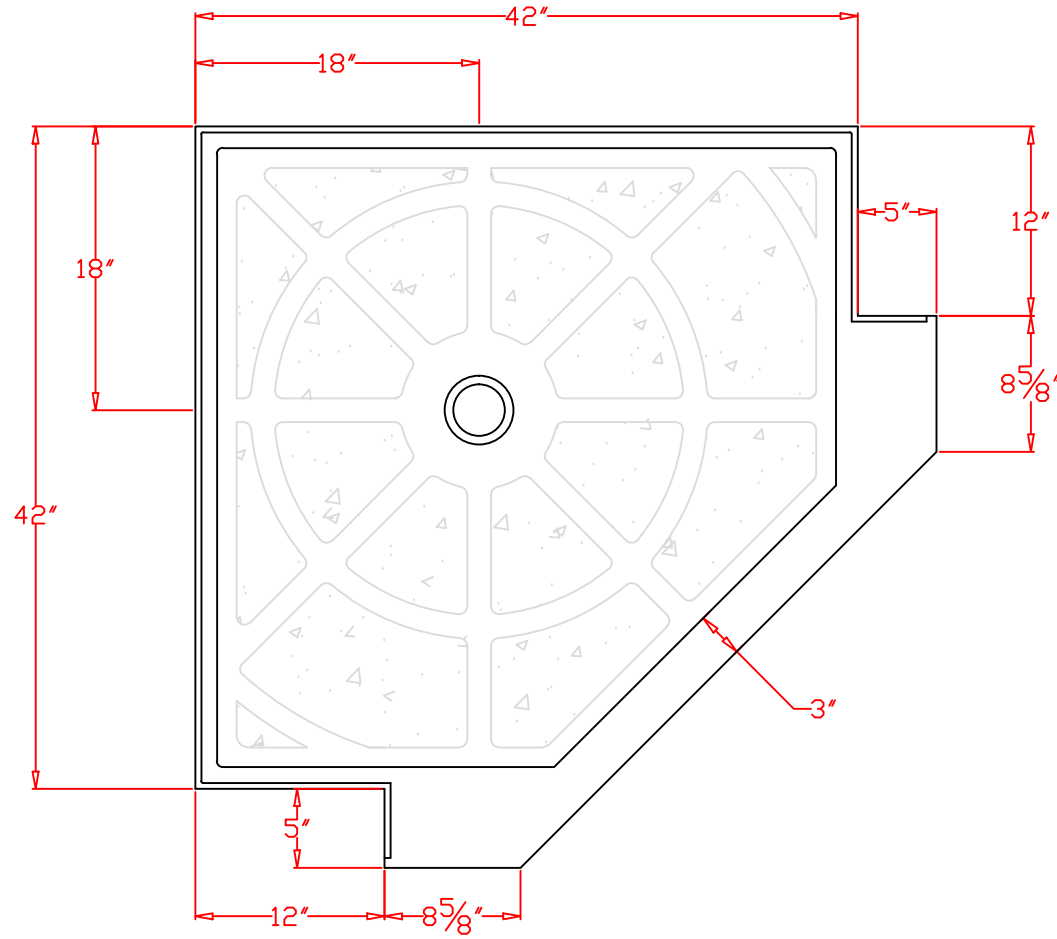


| REVISIONS |                 |          |
|-----------|-----------------|----------|
| REV       | DESCRIPTION     | DATE     |
| 00        | INITIAL DRAWING | 02/08/16 |



DRAWING NOT TO SCALE  
TOLERANCES:  $\pm 1/8"$

|             |                                |          |
|-------------|--------------------------------|----------|
| DESCRIPTION | 42" x 42" Neo-Angle Shower Pan |          |
|             | CODE                           |          |
|             | PROJECT                        |          |
|             | LOCATION                       |          |
|             | COLOR                          |          |
|             | PAGE                           | 01 of 01 |

