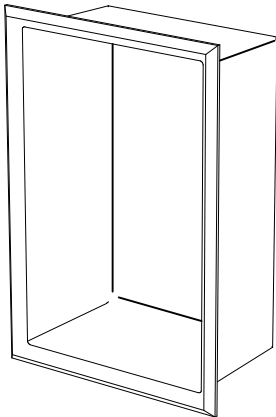
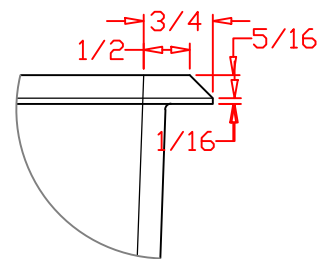
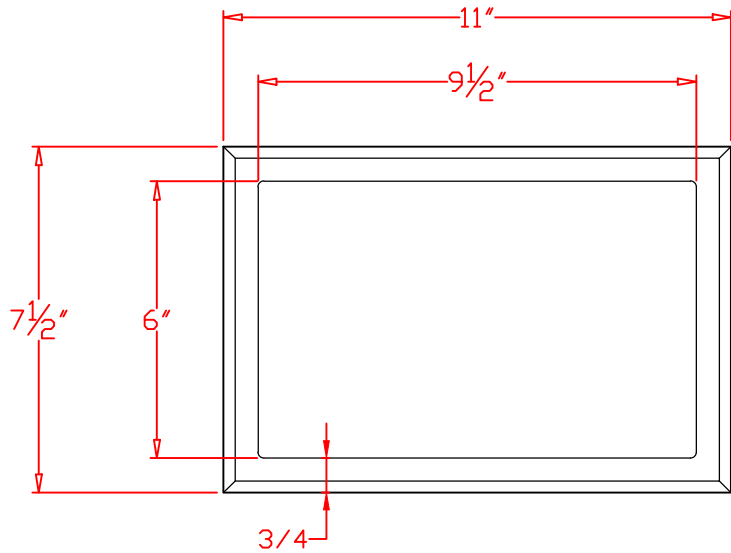
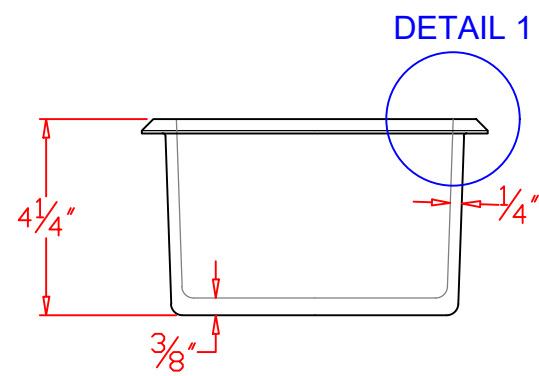
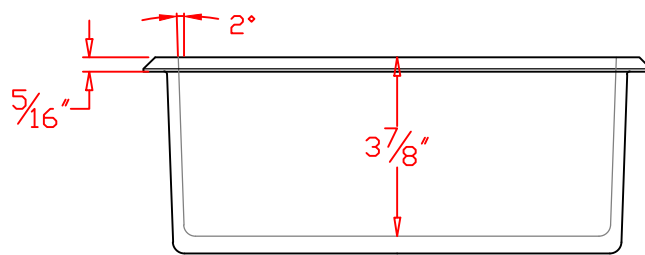


REVISIONS		
REV	DESCRIPTION	DATE
00	INITIAL DRAWING	30/03/16




DETAIL 1



DETAIL 1

DRAWING NOT TO SCALE  
TOLERANCES: ±1/8"

DESCRIPTION	7 1/2" x 11" Recessed Box Caddy	
	CODE	
World's Leading Surfacing Innovator	PROJECT	
	LOCATION	
	COLOR	
	PAGE	01 of 01