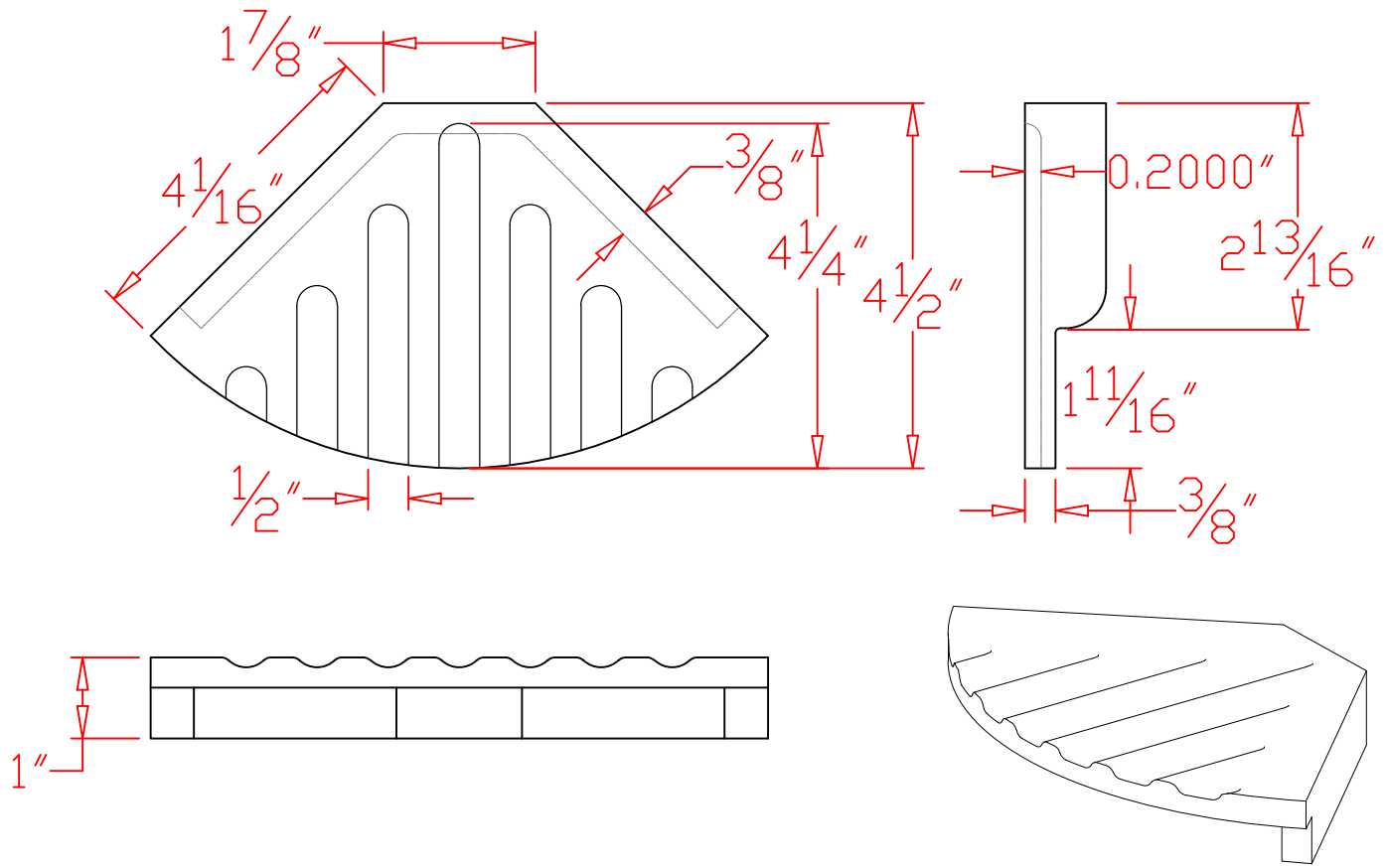



REVISIONS		
REV	DESCRIPTION	DATE
00	INITIAL DRAWING	30/03/16



DRAWING NOT TO SCALE
TOLERANCES: $\pm 1/8$ "

DESCRIPTION	Corner Soap Dish	
	CODE	
World's Leading Surfacing Innovator	PROJECT	
	LOCATION	
	COLOR	
	PAGE	01 of 01