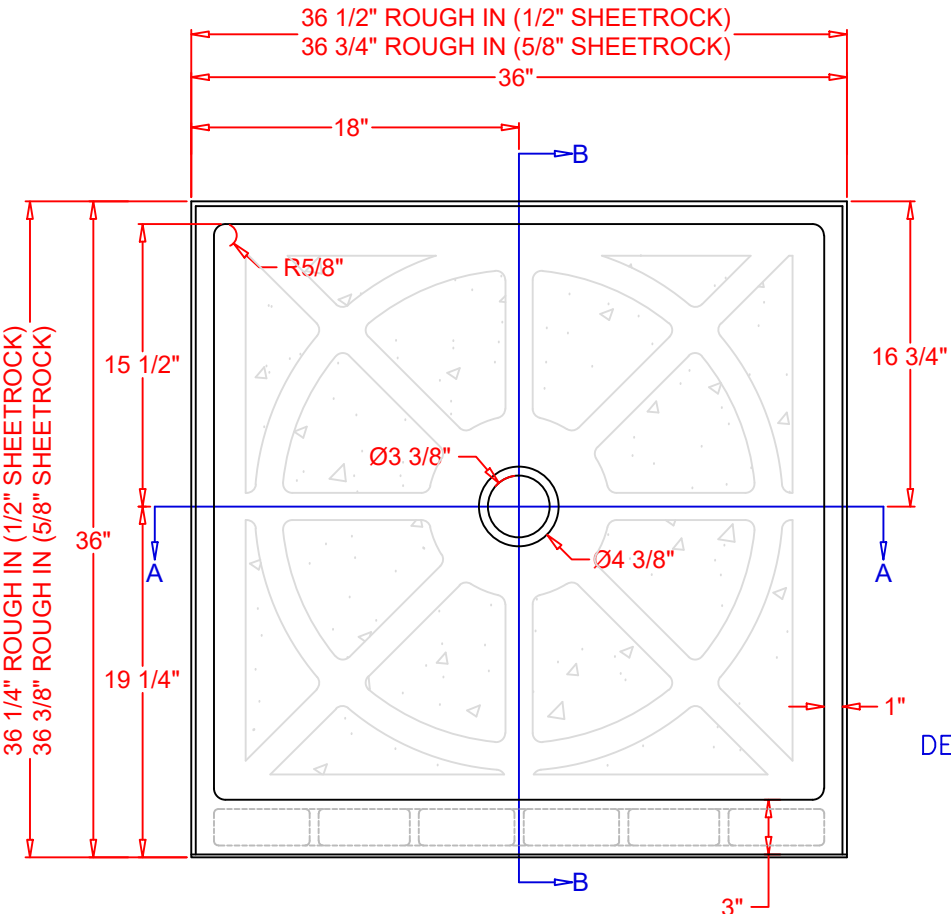
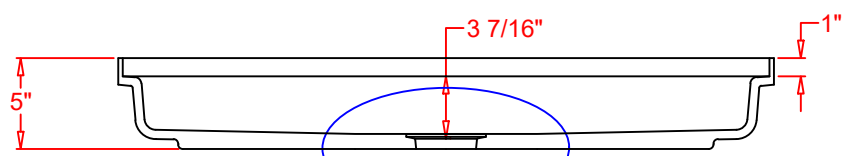


REVISIONS		
REV	DESCRIPTION	DATE
04	HEIGHT & DRAIN LOCATION	17/12/12



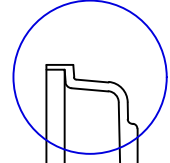
Drainage angle flooring is 1/4" per foot (1.2°) toward waste drain hole.



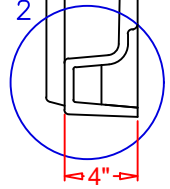
SECTION A-A

DETAIL 1

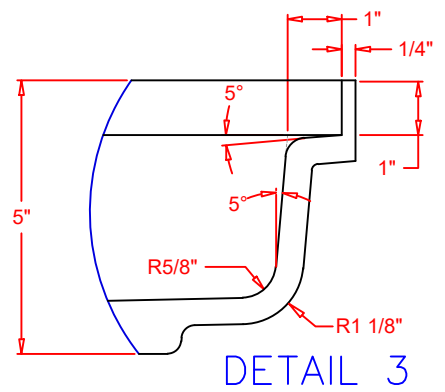
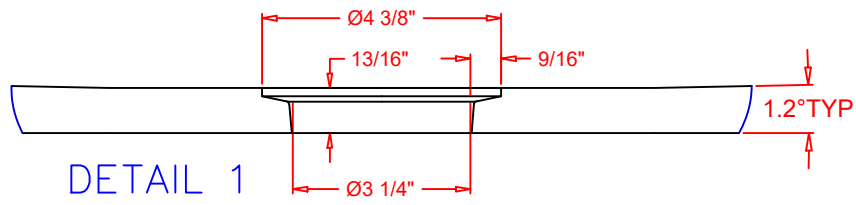
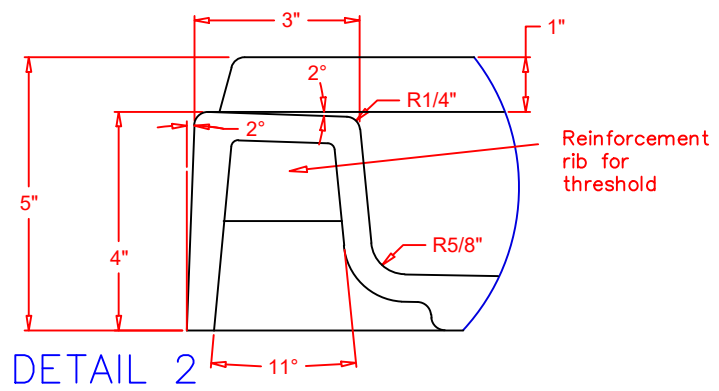
DETAIL 3



DETAIL 2



SECTION B-B



DESCRIPTION	36" x 36" Standard Shower Pan	
-------------	-------------------------------	--

durasein[®]
 World's Leading Surfacing Innovator

CODE	
PROJECT	
LOCATION	
COLOR	
PAGE	01 of 01

DRAWING NOT TO SCALE
 TOLERANCES: ±1/8"