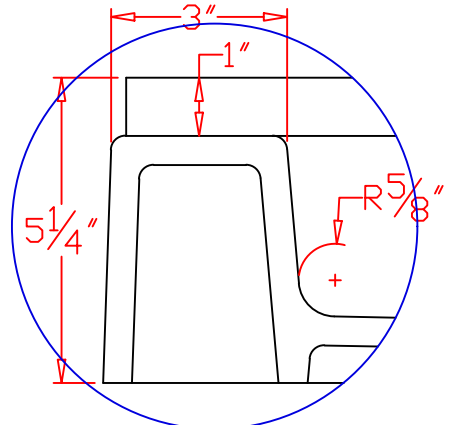
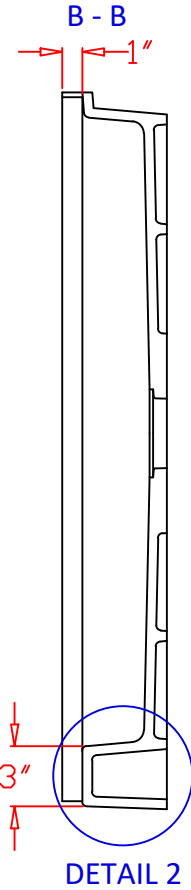
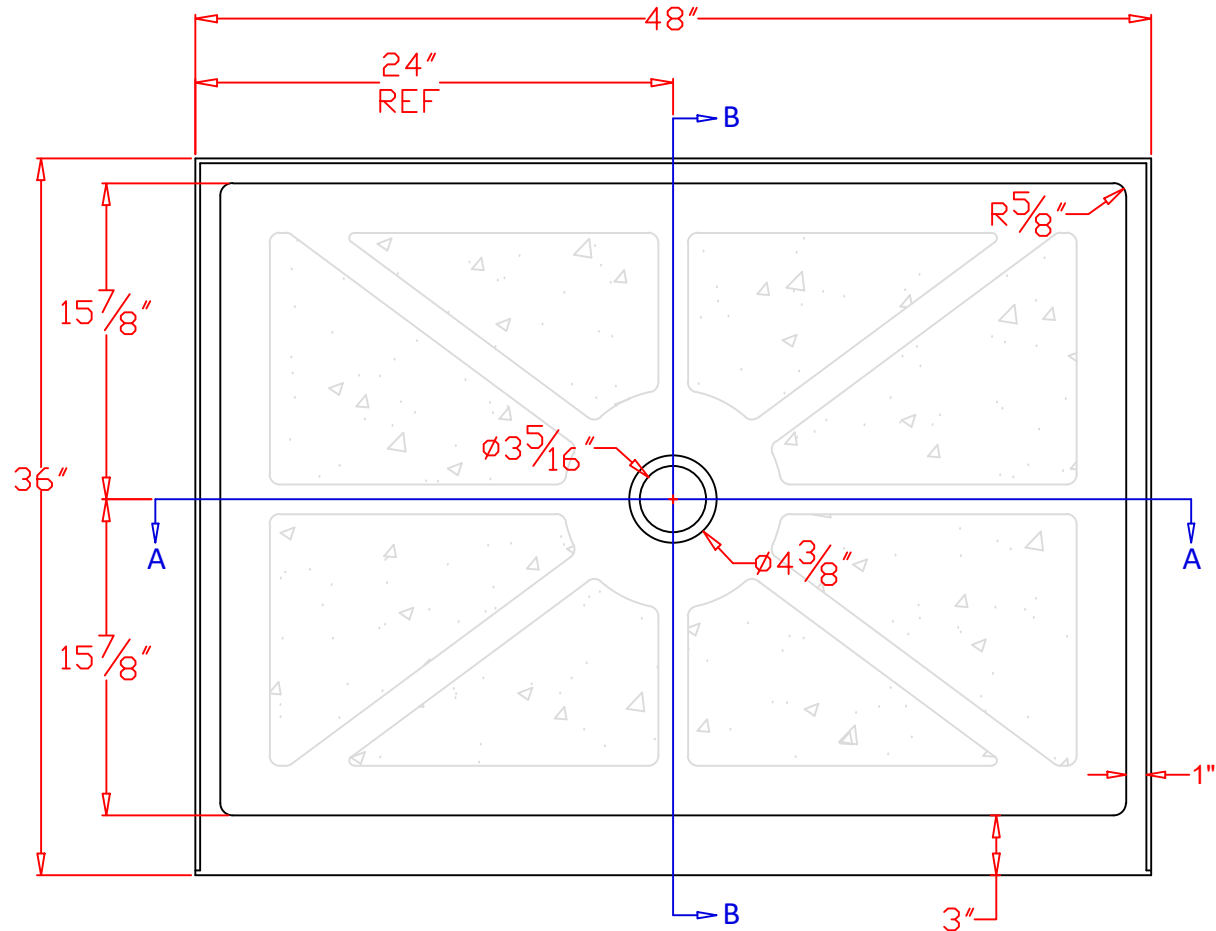
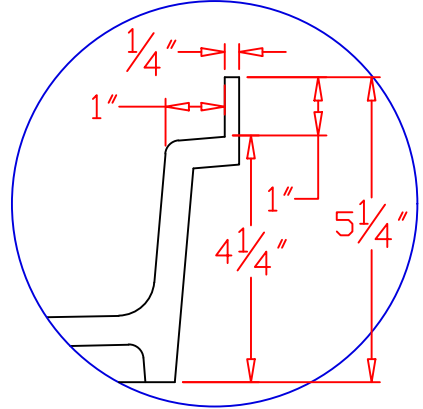


DRAWING NOT TO SCALE
 TOLERANCES: $\pm 1/8"$

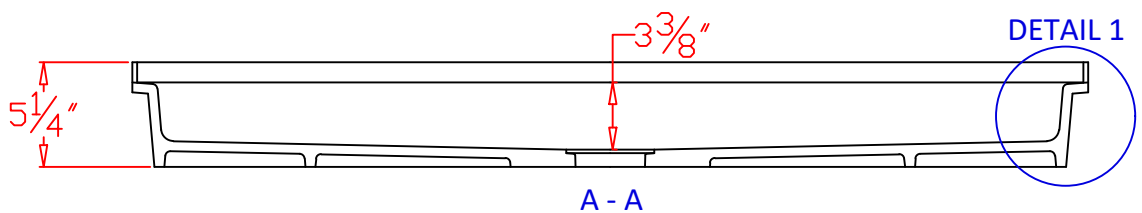
| REVISIONS | | |
|-----------|-----------------|----------|
| REV | DESCRIPTION | DATE |
| 00 | INITIAL DRAWING | 14/07/16 |



DETAIL 2
 THRESHOLD



DETAIL 1
 SIDE WALLS



| | | |
|-------------|-------------------------------|--|
| DESCRIPTION | 36" x 48" Standard Shower Pan | |
|-------------|-------------------------------|--|

durasein[®]
 World's Leading Surfacing Innovator

| | |
|----------|----------|
| CODE | |
| PROJECT | |
| LOCATION | |
| COLOR | |
| PAGE | 01 of 01 |