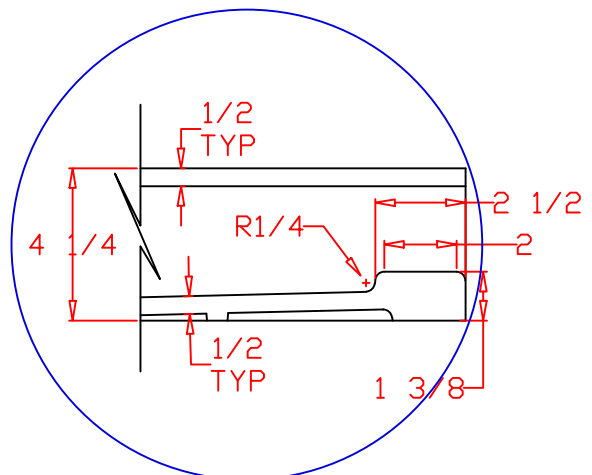
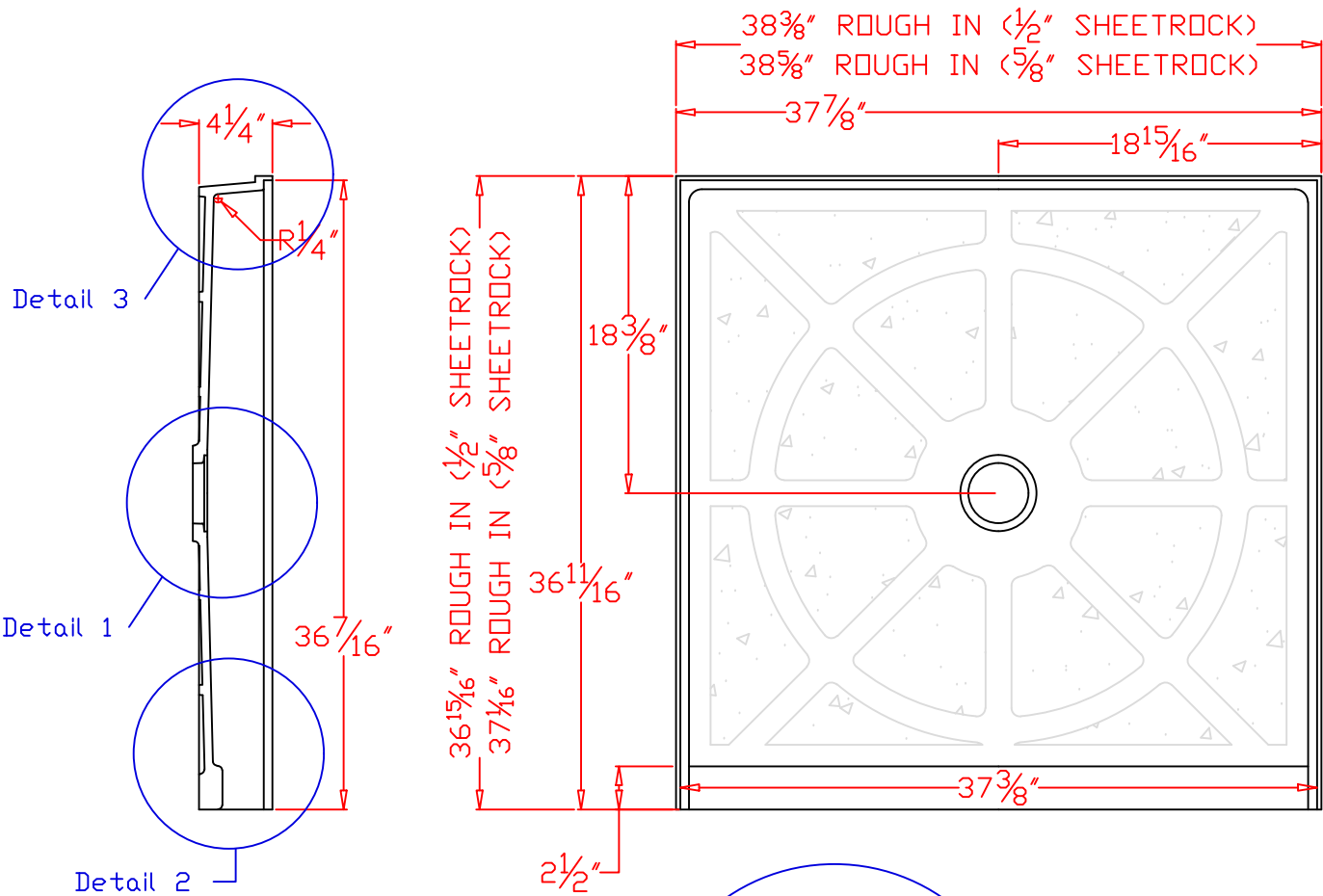
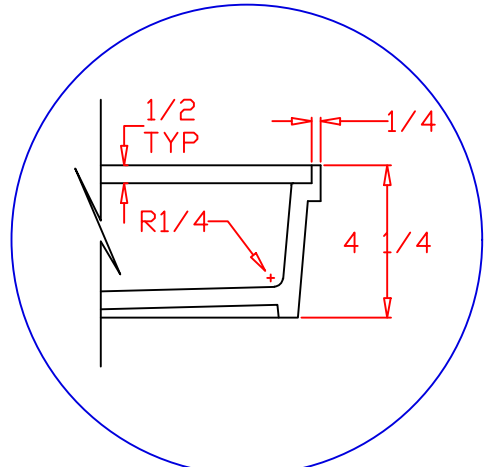


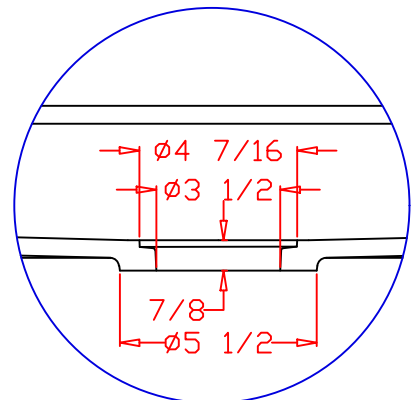
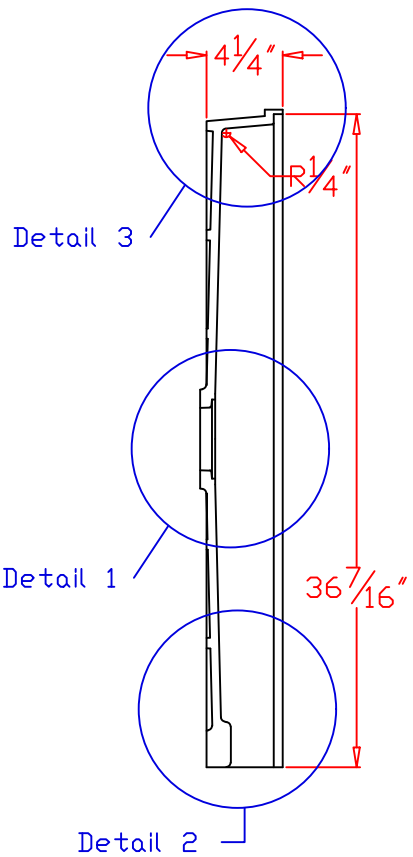
REVISIONS		
REV	DESCRIPTION	DATE
03	UPDATED MEASUREMENTS	22/05/15



Detail 2
Threshold



Detail 3
Walls



Detail 1
Drain Section

DRAWING NOT TO SCALE
TOLERANCES: ±1/8"

DESCRIPTION	37" x 36" ADA Transfer Shower Pan	
CODE		
PROJECT		
LOCATION		
COLOR		PAGE
		01 of 01

