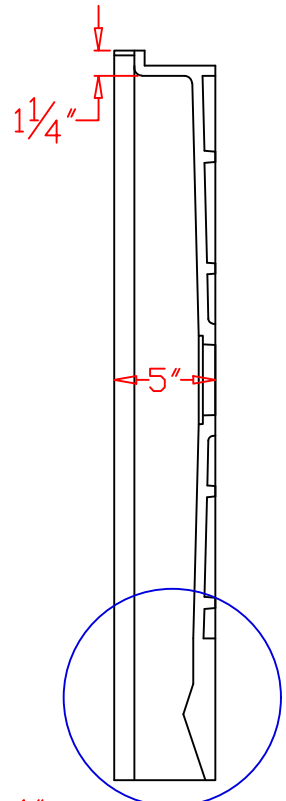
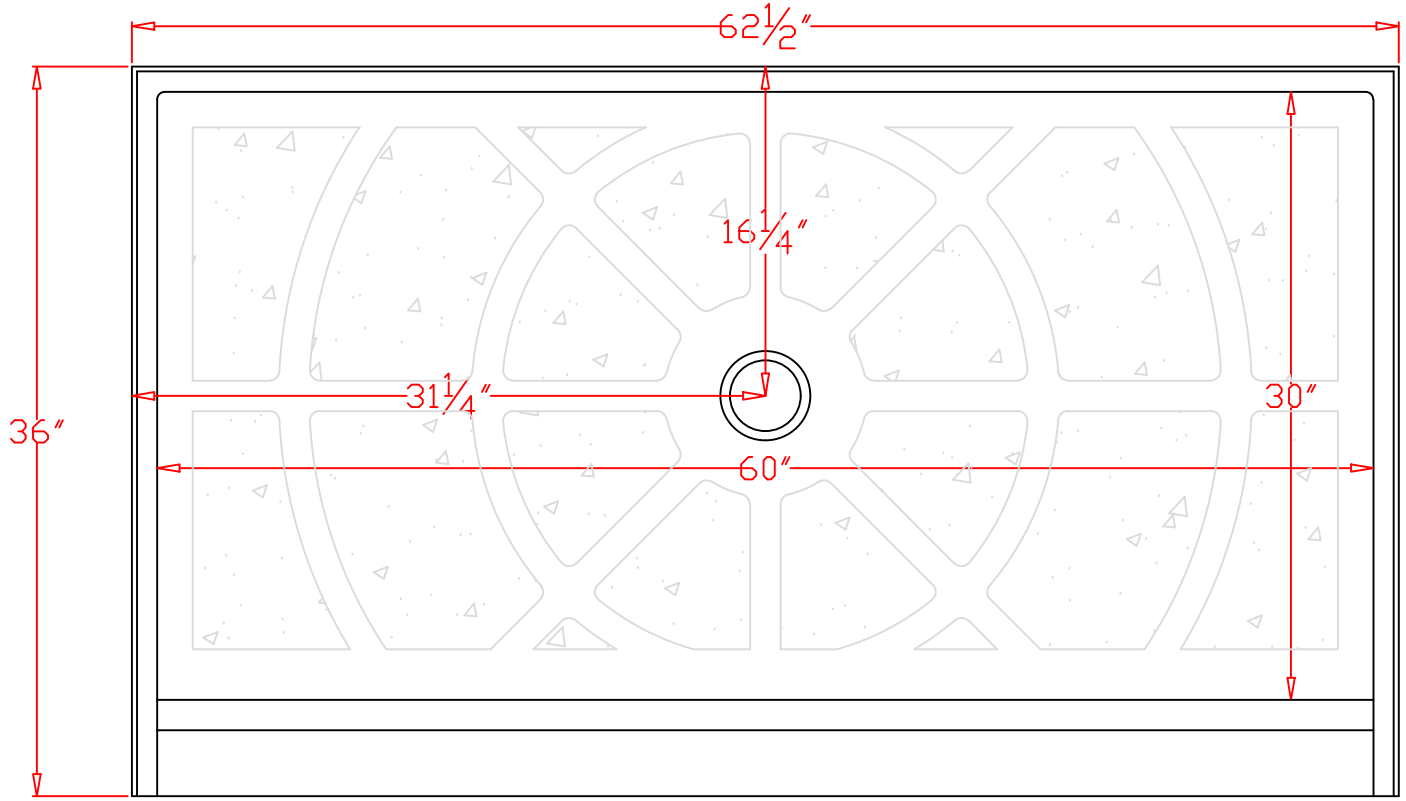
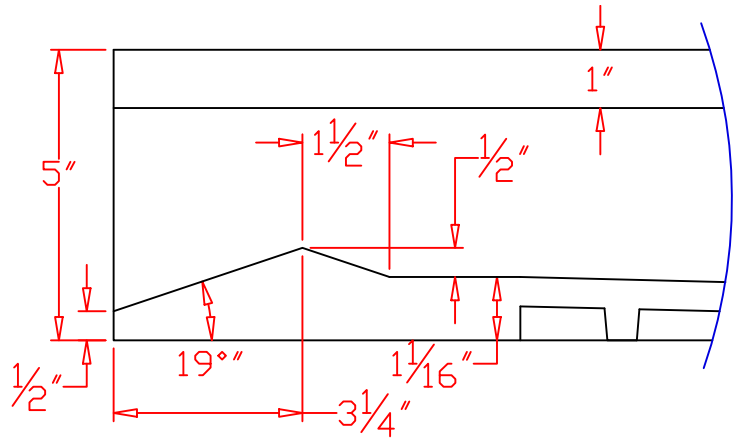
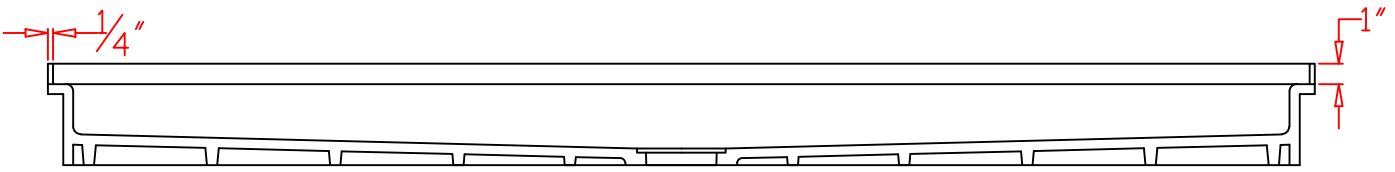


DRAWING NOT TO SCALE
 TOLERANCES: ±1/8"

REVISIONS		
REV	DESCRIPTION	DATE
03	ALIGNED THRESHOLD DIMENSION	20/04/15



DETAIL 1



DETAIL 1
 TAPERED ENTRANCE
 WITH TRIANGULAR
 SOLID SURFACE
 THRESHOLD

DESCRIPTION	62 1/2" x 36" ADA Roll-in Center Drain with Tapered Front
-------------	---

CODE	
PROJECT	
LOCATION	
COLOR	
PAGE	01 of 01