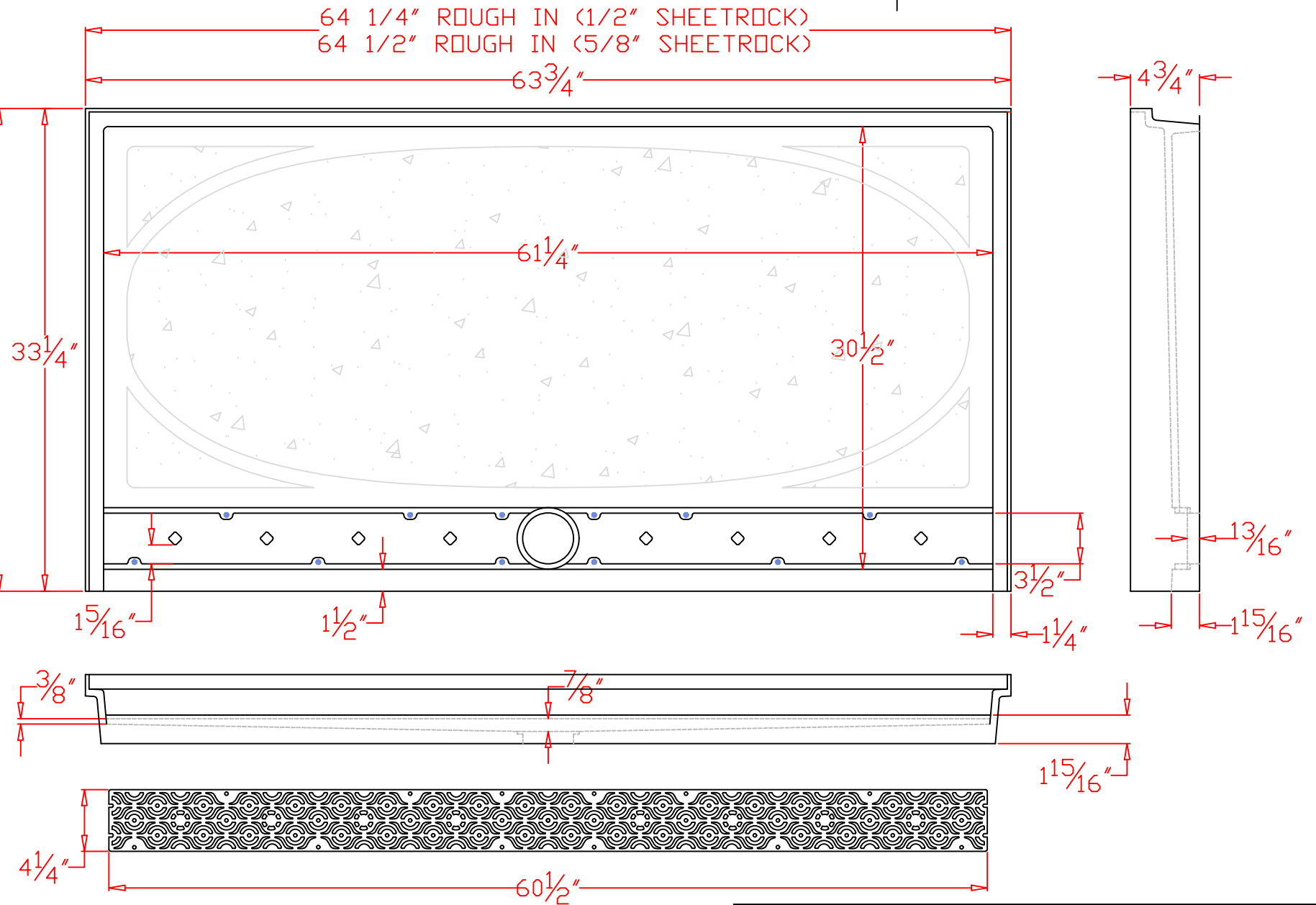



RAMPLESS INSTALLATION: SITE MUST BE RECESSED 1 7/16" WHEN USING 3/8" TILE FLOOR

REVISIONS		
REV	DESCRIPTION	DATE
03	UPDATED RAMPLESS INSTRUCTION	16/12/13

33 1/2" ROUGH IN (1/2" SHEETROCK)
33 5/8" ROUGH IN (5/8" SHEETROCK)



DRAWING NOT TO SCALE
TOLERANCES: ±1/8"

DESCRIPTION	63" x 33" ADA Roll-in with Trench Drain	
CODE		
PROJECT		
LOCATION		
COLOR		PAGE
 World's Leading Surfacing Innovator		01 of 01