



TRUFIG

212 Avenida Fabricante
San Clemente, CA 92672
(949) 492 - 7777

TRUFIG and the TRUFIG Logo
are trademarks of Dana In-
novations. © 2012 Dana In-
novations. All rights reserved.

APPLICATION NOTE

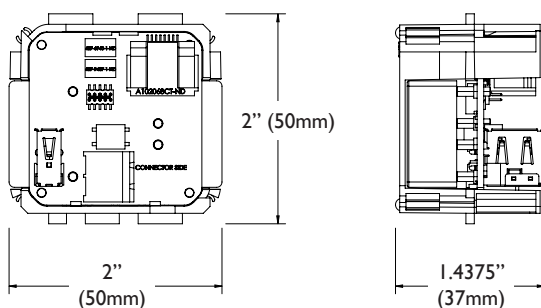
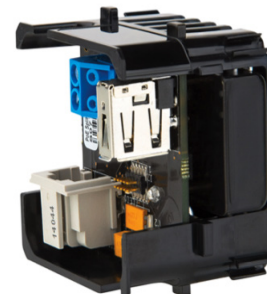
PoE Splitter

SKU - #70718

Overview:

The PoE Splitter is designed to provide the necessary power to the iPad's Lightning Connector from a PoE or direct 24V power source. The PoE Splitter powers iPad or any 5V mobile device up to 600 feet from PoE Power Source. Optionally, the Splitter powers iPad via 24v DC power. The Splitter fits into any single gang wall box including EU, UK and US boxes.

The Splitter can receive power from a PoE Switch (IEEE 802.3af), or can be powered from nearly any 24V power supply. The PoE Injector (sold separately) can be used to power iPad from a local wall receptacle or can be plugged into an AV rack up to 600 feet away.



Dimensions:

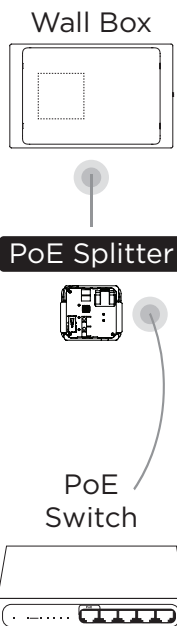
- Weight: 0.14 lbs
- Height: 2"
- Width: 2"
- Depth: 1.4375"

Power:

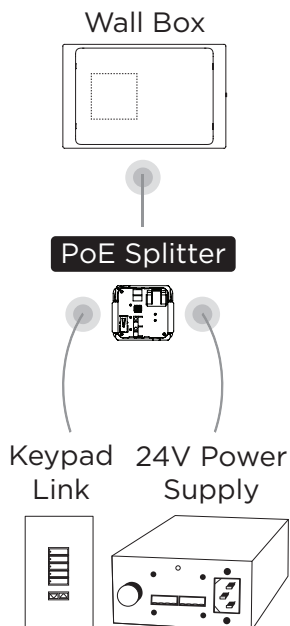
- Input: IEEE 802.3af
- Output: USB 5V up to 12W
- AUX Input: 18V to 24V

PoE Splitter Powering Options:

PoE Switch



24V



Receptacle

