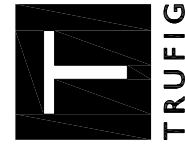
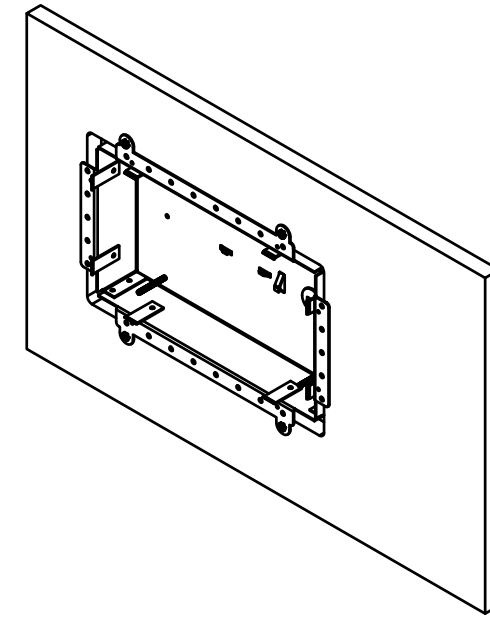
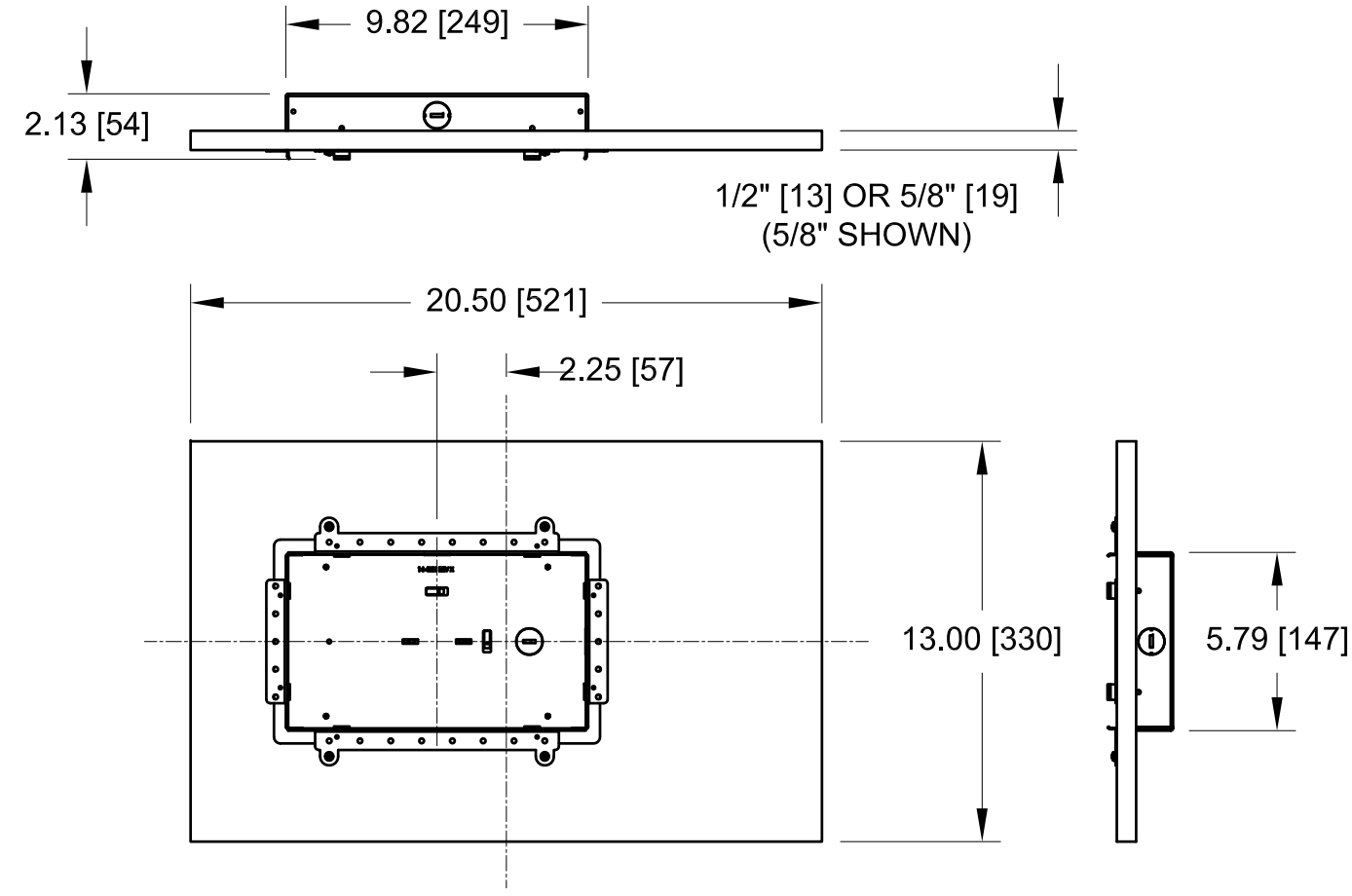
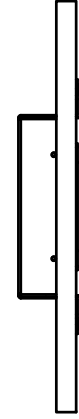


3/4" KO
3 PLCS.



TRUFIG
212 Avenida Fabricante, San Clemente, CA. 92672
www.trufig.com

SCALE: 1:6

SHEET: 1 OF 1

DRAWN BY: AB
RELEASED ON: 26JUN17

TRUFIG IPAD MINI SURFACE MOUNT POWER ONLY MP
ENVELOPE DIMENSIONS

C

DRAWN - PART NUMBER

REV.