

DURA FAUCET®

DF-SA100 – RV Shower Faucet



MAINTENANCE AND CLEANING

Cleaning Tips: The finish on your product is designed to retain its beautiful sheen for years. To maintain the original look of the finish, a little care and caution should be used. We recommend the use of mild soap and water to clean the product.

THE USE OF ABRASIVE CLEANERS MAY SCRATCH THE FINISH OR CAUSE OTHER DAMAGE.

RECOMMENDED TOOLS AND MATERIALS

- ◆ Adjustable Wrench
- ◆ Screwdriver
- ◆ Plumber's Tape

BEFORE YOU BEGIN

There are a variety of things to do before installing any new plumbing system into your RV. Before you begin work make sure you:

- ◆ Shut off the main water supply
- ◆ Cover your drain to prevent loss of parts
- ◆ Observed any local plumbing codes
- ◆ Inspect fixture for damage - Replace as necessary

* Dura Faucet reserves the right to make any revisions in the design of products without notice.

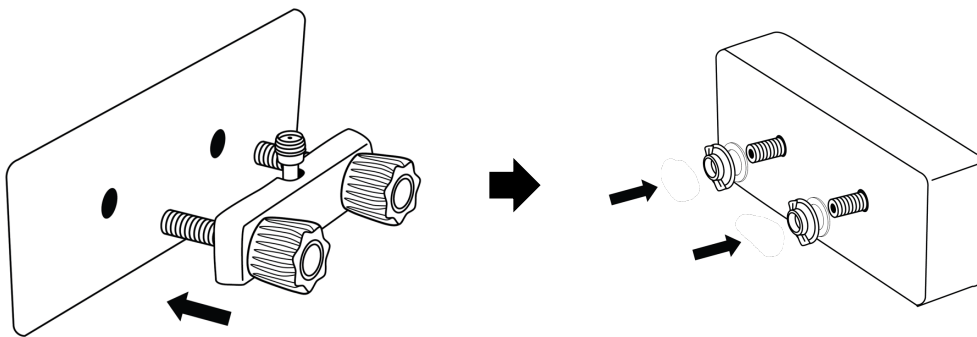
INSTALLATION

New Faucet Preparation

Turn the water to the RV off before installing. Remove the existing fixture. Place the flat side of the sealing gasket against the wall, and then insert the faucet inlet tubes through the gasket into the wall. Position the faucet on the wall. You may need to remove an access panel to access the faucet mounting nuts.

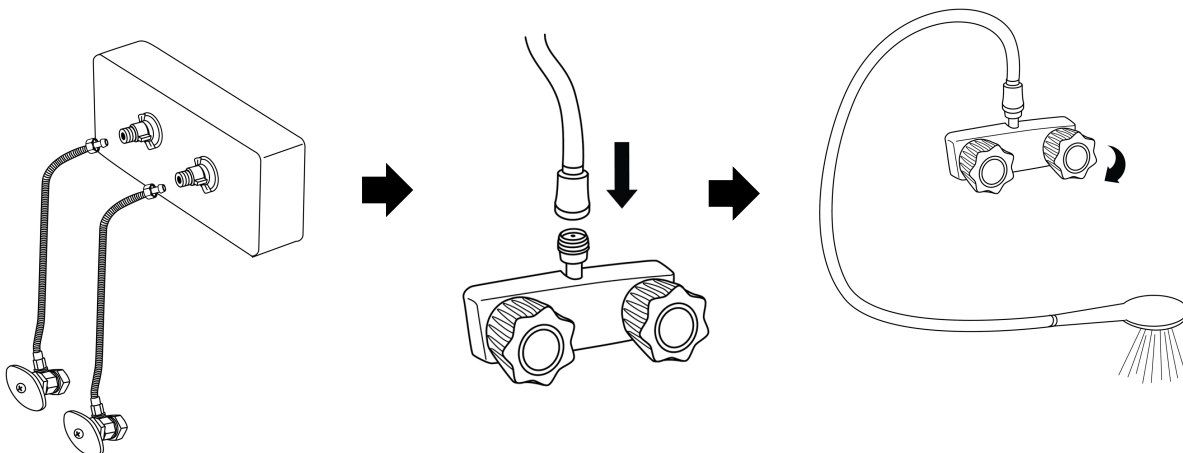
1 Install Faucet

Once inserted, tighten the mounting nuts and washers from behind the wall. Then, connect the water supply lines from the RV to the inlet tubes of the faucet. As you lace the faucet, hot water should be on your left, and cold water on your right. **Note:** Hand tighten the nuts and then tighten $\frac{1}{4}$ turn with a wrench. Overtightening the nut can cause leaking.



2 Secure Access Panel (Optional) and Turn on Water Supply

If you have an access panel, secure it by screwing it back onto the wall using the same screws used to remove it in step 1. Once secured, turn the water to the RV back on and check for leaks at the supply line connections. Turn the hot and cold water on for 30 to 60 seconds to remove any potential debris from the lines. You can now enjoy your Dura Faucet.



SPEC DRAWING / PARTS

- 1S/A. Acrylic/Al H-Button (1)
- 1C. ABC Cover (H) (1)
- 1L. ABS Cover (H) (1)
- 2S/A. Acrylic/Al C-Button (1)
- 2C. ABS Cover (C) (1)
- 2L. ABS Cover (C) (1)
- 3S/A. Stainless Steel Handle Screw (2)
- 3C. Stainless Handle Screw (2)
- 3L. Stainless Handle Screw (2)
- 4S/A. ABS Base (2)
- 4C. ABS Base (2)
- 4L. ABS Base (2)
- 5S/A. ABS Nut (2)
- 5C. ABS Nut (2)
- 5L. ABS Nut (2)
- 6C. ABS Handle (2)
- 6L. ABS Handle (2)
- 7L. O-Ring (2)
- 8. ABS Escutcheon (1)
- 9. POM/Rubber/Stainless Mandrel (2)
- 10. Rubber Washer (2)
- 11. Stainless Spring (2)
- 12. POM/Rubber Body (1)
- 13. Rubber Washer (1)
- 14. ABS Stopper (1)
- 15. PP Base Plate (1)
- 16. Rubber Washer (2)
- 17. ABS Mounting Nut (2)

