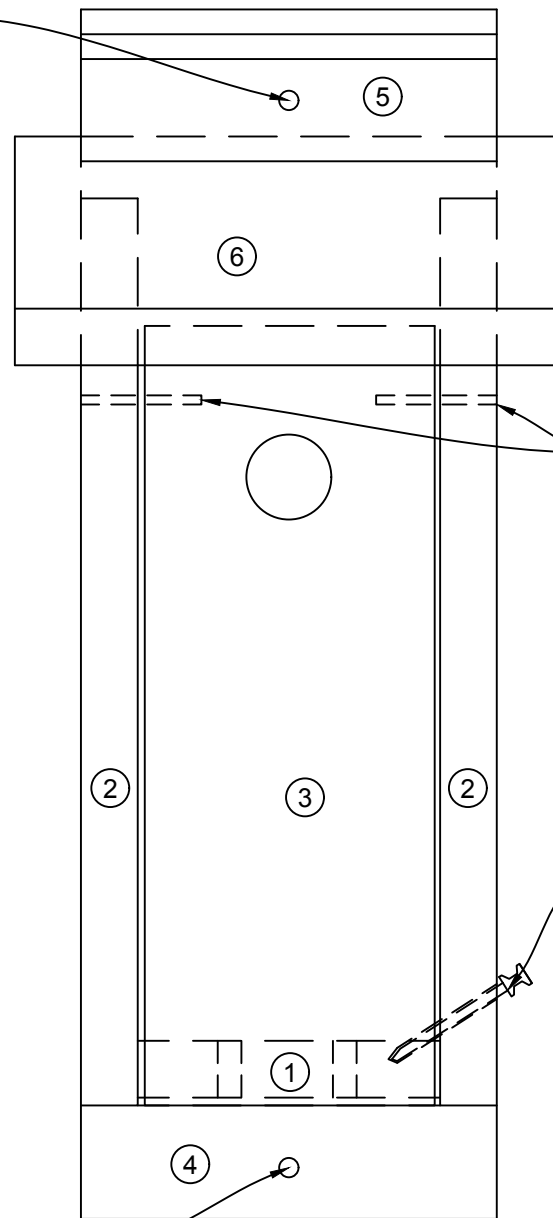


$\frac{3}{16}$ " Hole for Mounting Screw or Nail

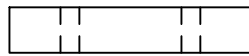


$\frac{3}{16}$ " Hole for Mounting Screw or Nail



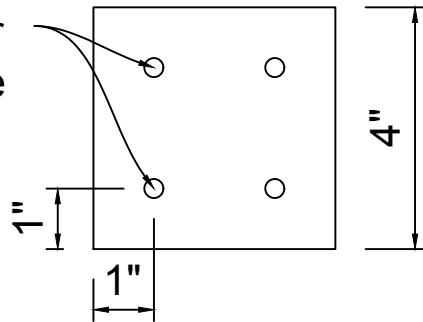
Chickadee Nest Box

① Floor



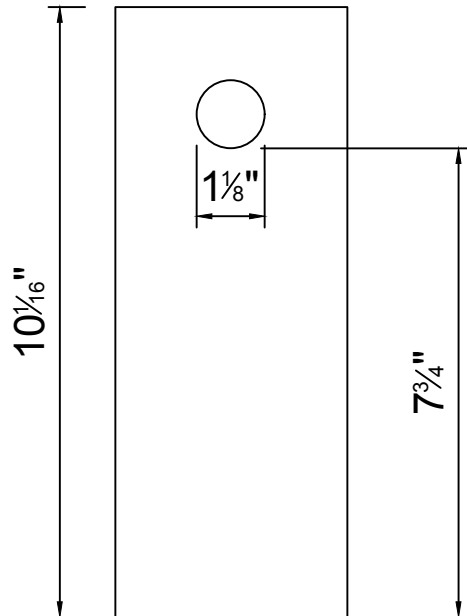
4"

$\frac{5}{16}$ " Holes for Drainage

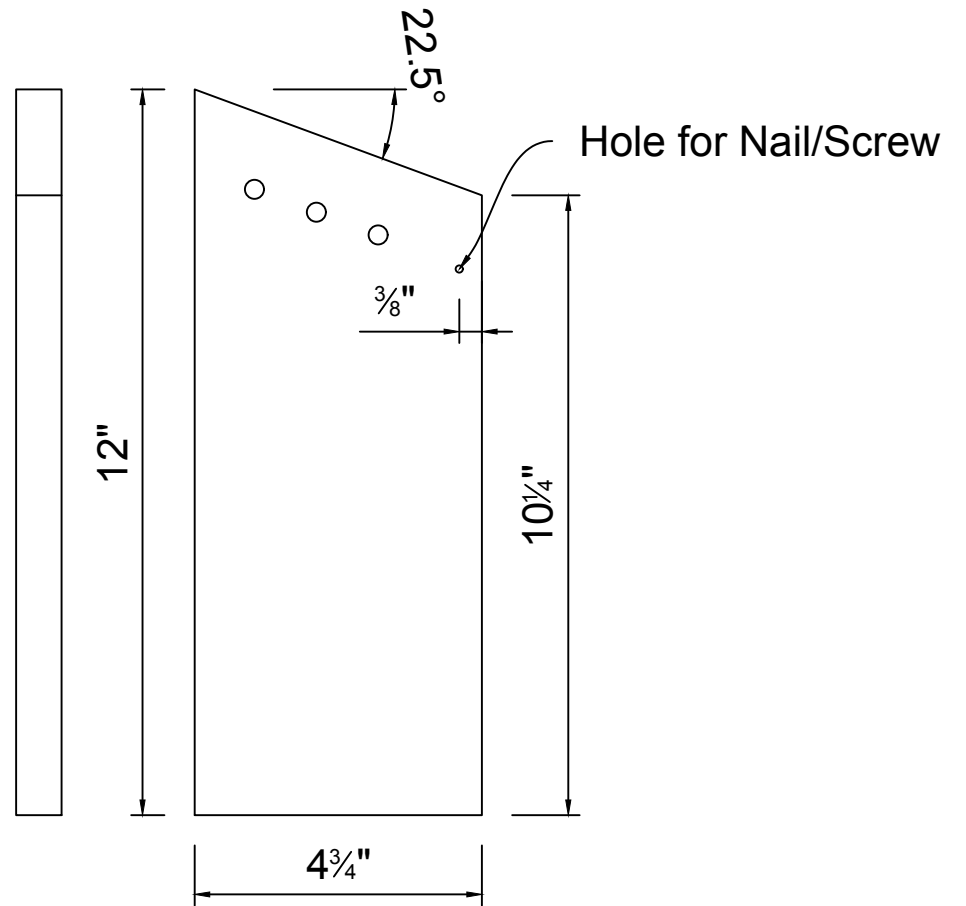


③ Front Door

$3\frac{13}{16}$ "

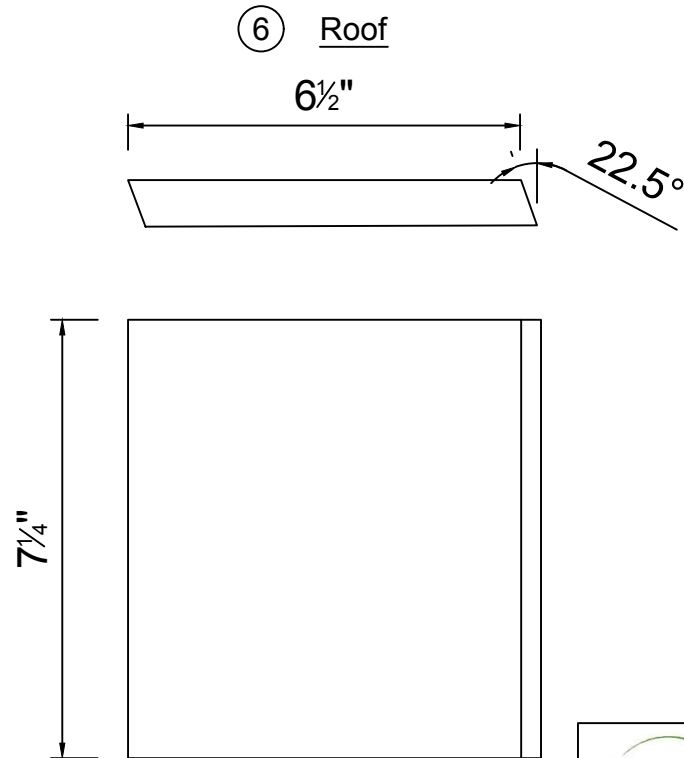
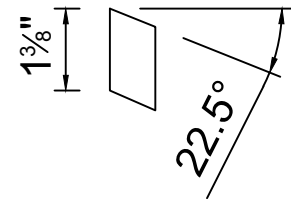
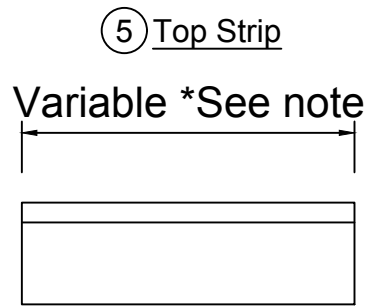
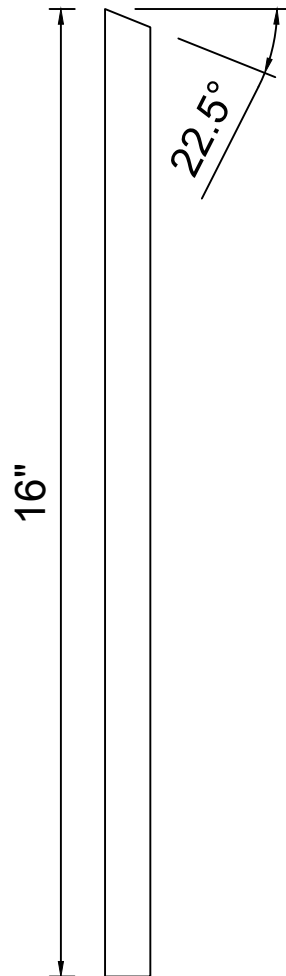
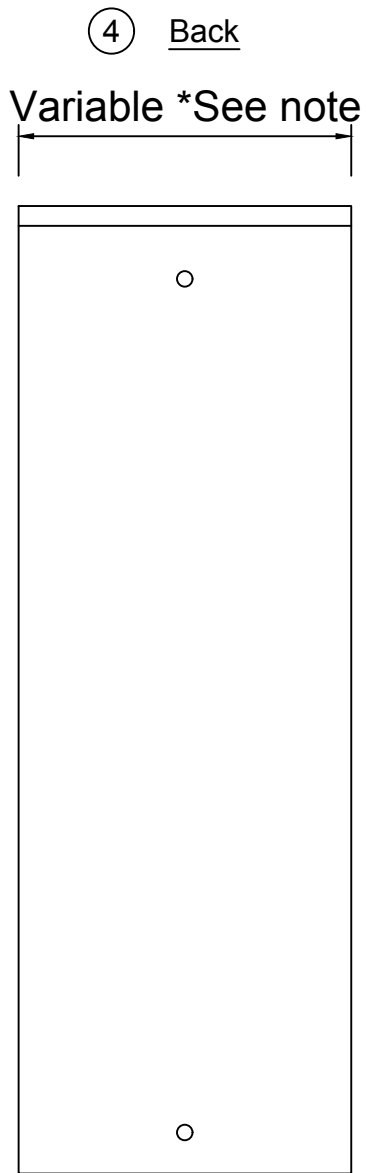


② Sidewalls - x2



Notes:

- Material can be cut from either $\frac{3}{4}$ " or $\frac{1}{16}$ " fence board.



Notes:

- Material can be cut from either 3/4" or 1 1/16" fence board.
- *Width of the back and top strip is dependent on the thickness of material used. If 3/4" boards are used, the width is 5 1/2", if 1 1/16" boards are used, the width is 5 1/4" wide.

Chickadee Nest Box