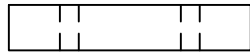


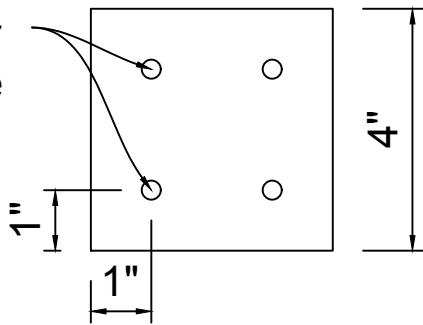
# Wren Nest Box

① Floor



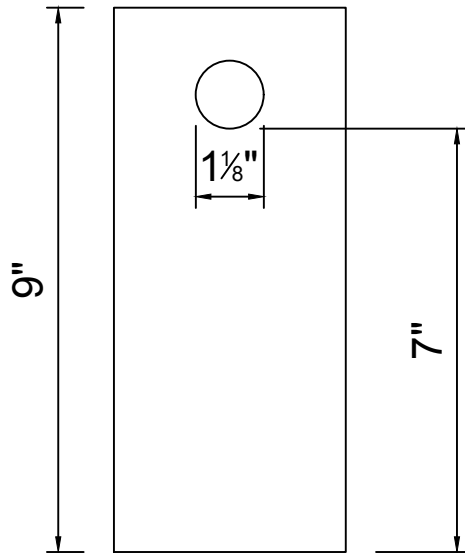
4"

$\frac{5}{16}$ " Holes for Drainage

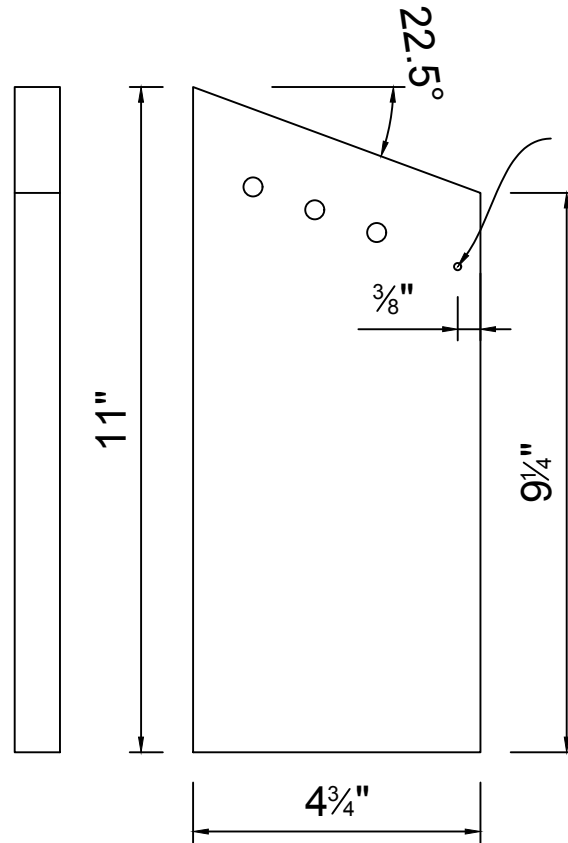


③ Front Door

$3\frac{13}{16}$ "



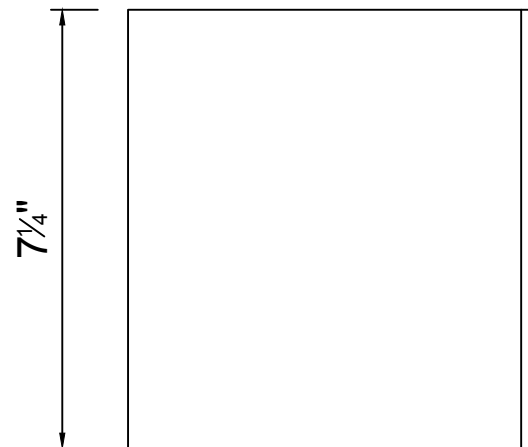
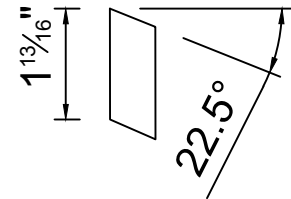
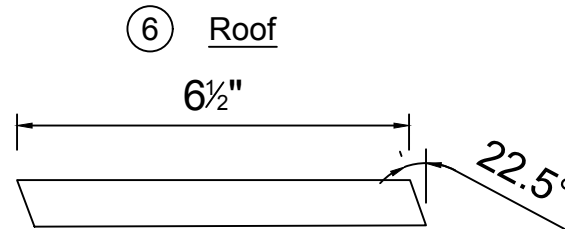
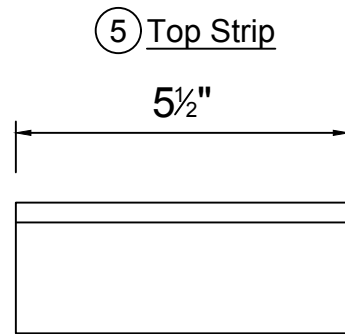
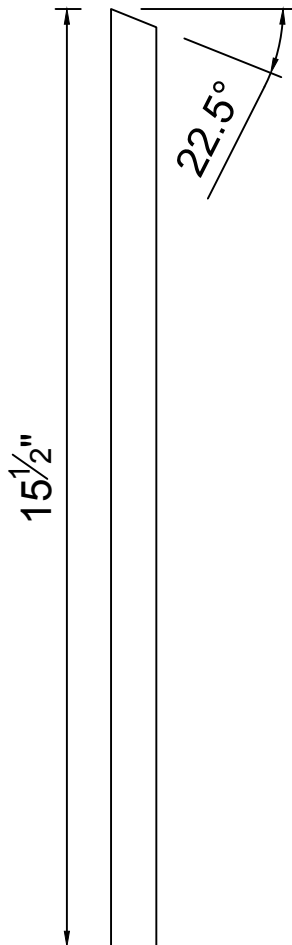
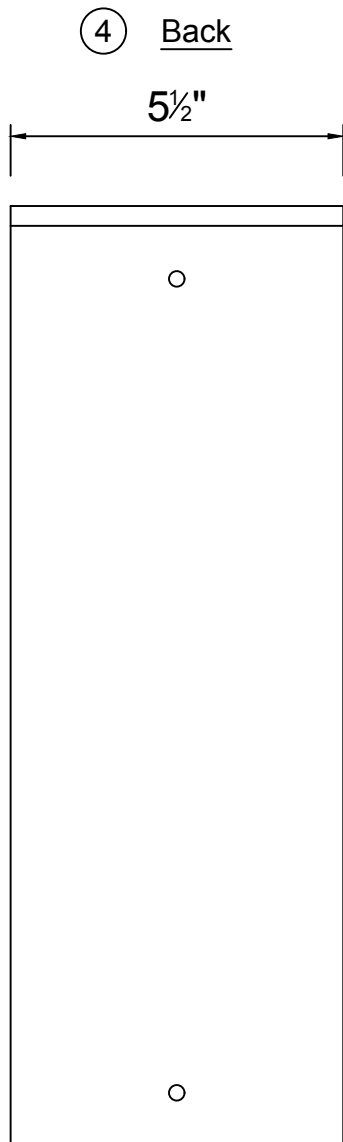
② Sidewalls - x2



Hole for Nail/Screw

Notes:

- Material cut from  $\frac{3}{4}$ " fence board



Notes:

- Material cut from 3/4" fence board

# Wren Nest Box