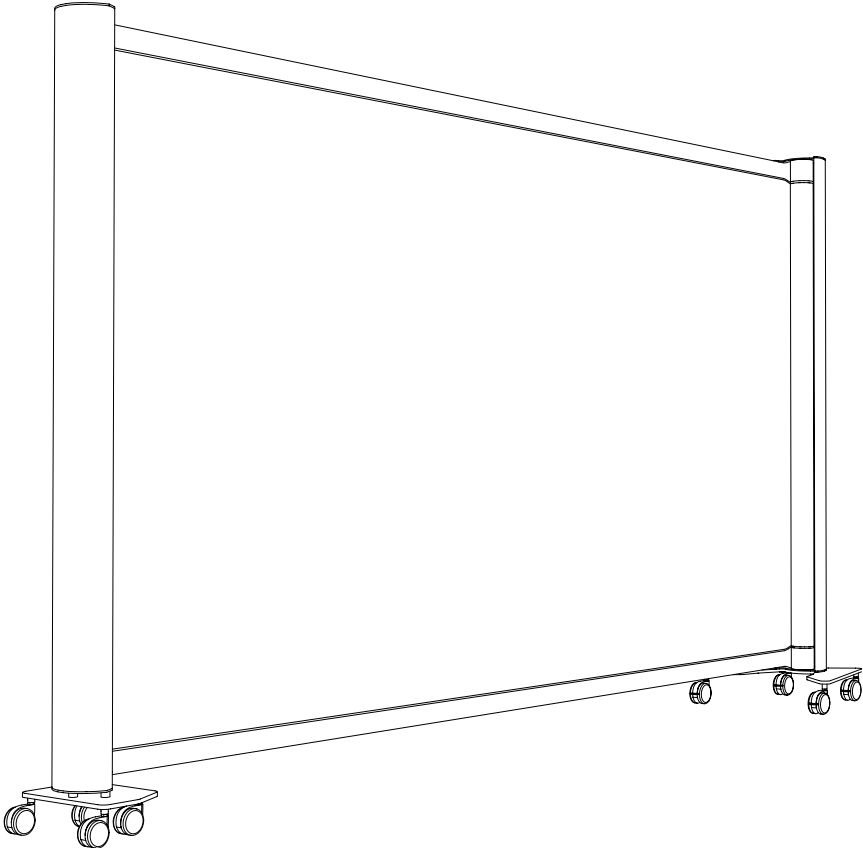


KWICKSCREEN

USER MANUAL



Please read all instructions in this user guide prior to installation and operation of your KwickScreen.

For personal and operational safety use only parts approved by KwickScreen.

Be gentle when pulling the KwickScreen out for use.

Before installation ensure all parts are present, complete and without defects.

The KwickScreen must be allowed to find its "natural position". If you find the screen difficult to push in or pull out, or you hear a crumpling sound, then reverse your action (push if pulling and pull if pushing).

If you believe parts to be missing please contact us.

Packaging material should be disposed of in accordance with local rules and regulations.

CONTENTS

3 / welcome

4 / view & dimensions

5 / replacing or changing inner panel

7 / portable unit assembly guide

13 / fixed unit assembly guide

14 / wall brackets

14 / extended wall brackets

19 / cleaning

20 / operation

If you have any questions please contact us at:

www.kwickscreen.com

or call us on: **0208 819 1459**

Dear valued customer
Thank you for choosing to purchase a KwickScreen.

I hope that your new KwickScreen will help you make better use of your spaces and if you have chosen a printed screen, that you enjoy the benefits which the images can bring to your environment.

I am passionate about using technology to improve environments. As a designer and engineer I invented the KwickScreen to help solve space issues. For a room to be used efficiently and appropriately it needs to be flexible both spatially and visually. Every multi-use room, from a hospital ward, to a gym, a private meeting room or an airport has problems and limitations that can be solved by space saving portable screening systems.

Over the last 5 years the product has developed significantly, winning a number of design and innovation awards. We now have an international supply chain with distribution in 9 countries.

Our customers and the people who use and interact with our screens remain our top priority and we are always striving to both improve the product and our service to you. This is our passion and that is why we assemble and quality check every product ourselves locally in England.

We hope that you have received the product in a perfect condition, but if for any reason you are unhappy or have a query please let us know and we will do our best to help. Each unit and screen has a unique code making it possible for us to trace all relevant information about the product. (The unit number Uxxx is written on the back of the unit on the silver sticker and the screen number Sxxx is printed on the inside of the front of the screen.)

KwickScreens are used in all manner of places, so if you can we would love to receive pictures and feedback from you about using your KwickScreen whether it's a query, comment or suggestion. Please do tweet us @KwickScreen or alternatively get in touch via our website www.kwickscreen.com.

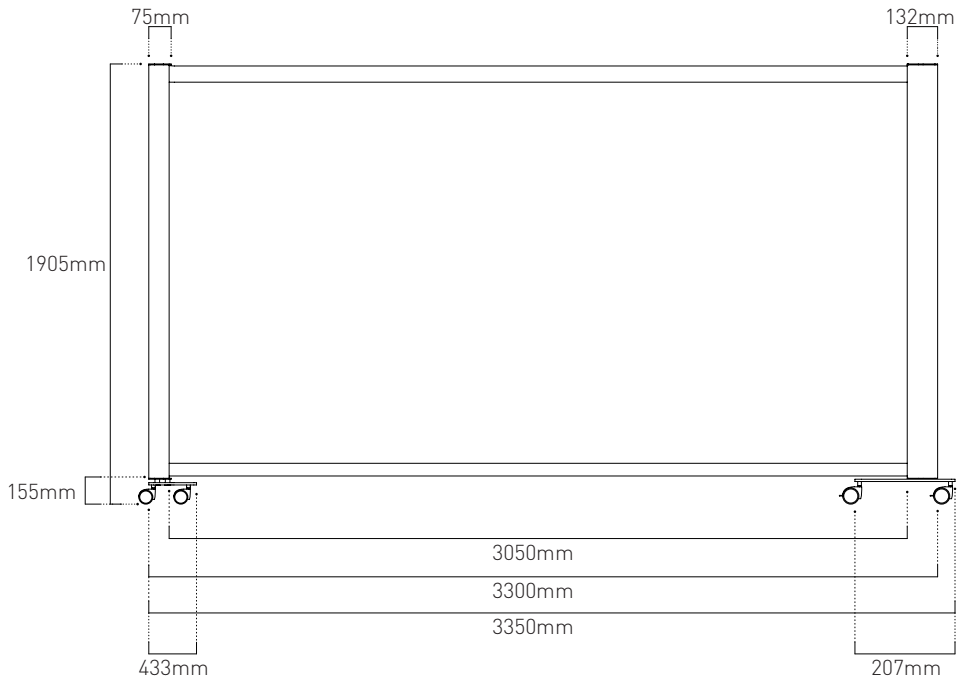
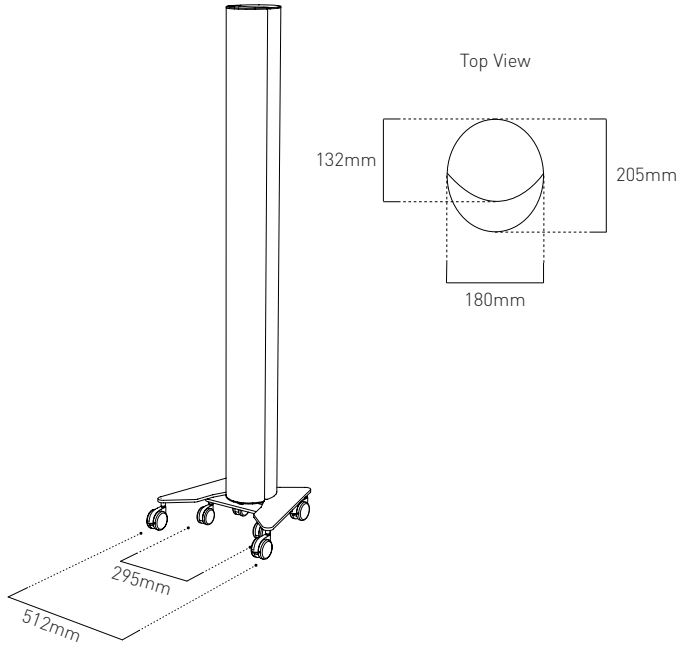
I wish you many years of use from your KwickScreen and look forward to hearing from you.

Best wishes

Michael Korn
Managing Director of KwickScreen



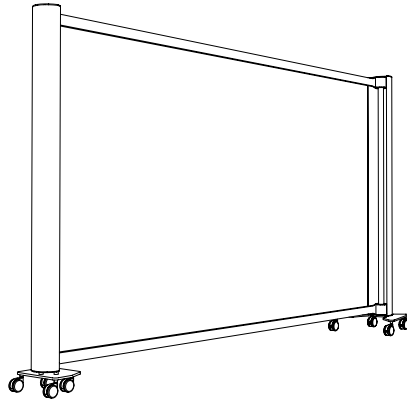
VIEW & DIMENSIONS



REPLACING OR CHANGING THE INNER PANEL (2 person job)

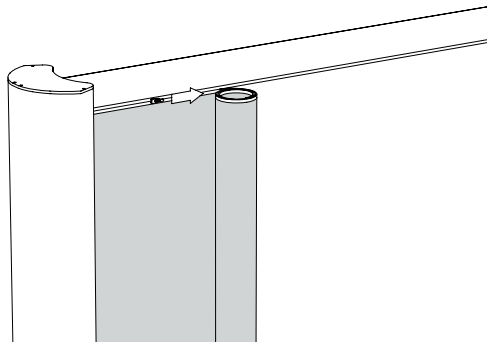
1

Extend unit fully (unit shown with inner screen panel removed) by applying all 4 brakes on the main body and pulling out the handle



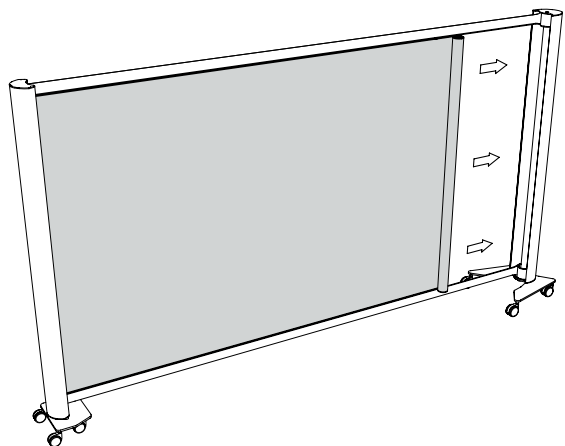
2

To insert the inner panel keep the panel rolled up and attach the zip in the top left corner. To get started one person should roll whilst the other starts the zip



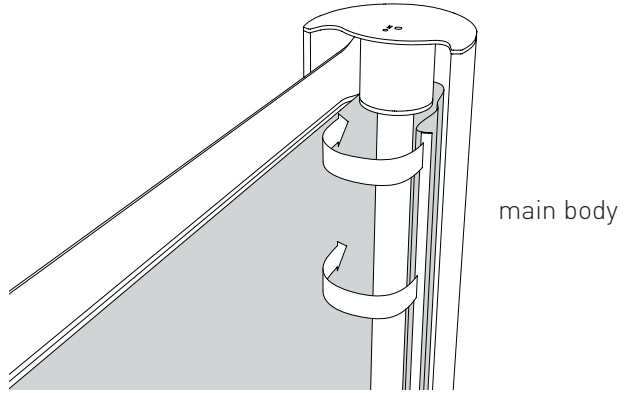
3

Support the rolled panel in one hand, slowly zip along the top of the panel as you unroll the panel



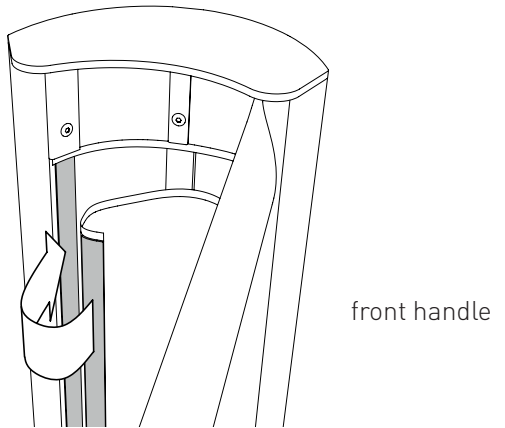
4

Leave 50 cm unzipped and thread the panel end around the plastic core. Carefully align and secure the corresponding magnetic strip on the panel and the rotor and then zip the top zip th the end



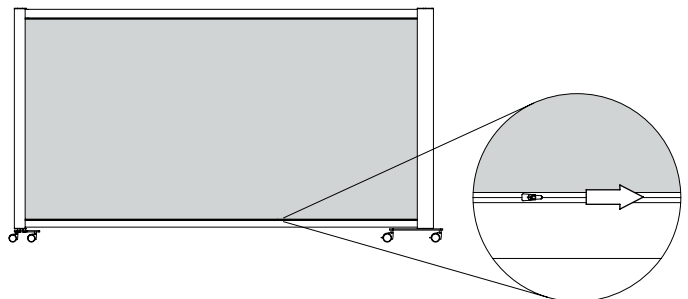
5

Align the magnetic strip on the front handle



6

Close the bottom zip



ASSEMBLY GUIDE FOR KWICKSCREEN PORTABLE UNIT

Please read the following instructions.

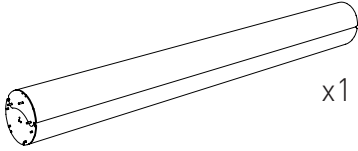
To begin lay down main body and front handle sideways to start working.

This is a 2 person job.

Please ensure all screws are tight after assembly.

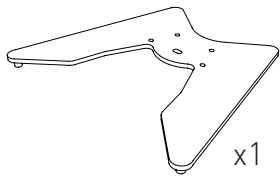
If you have any questions please contact us at:
www.kwickscreen.com
or call us on:
0208 819 1459

KwickScreen main body and front handle with inner screen



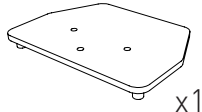
x1

main body base




x1

front handle base




x1

main body castor with brake




x4

front handle castor without brake



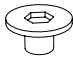
x4

castor pin




x8

short bolt



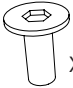
x4

handle spacer



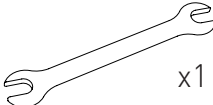
x3

long bolt



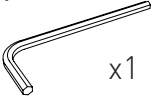
x3

spanner



x1

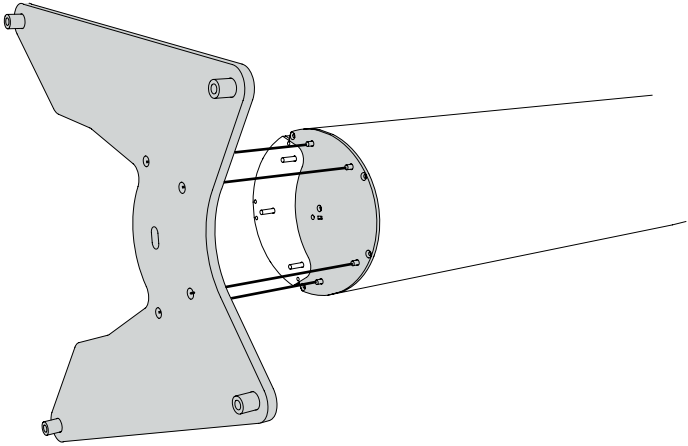
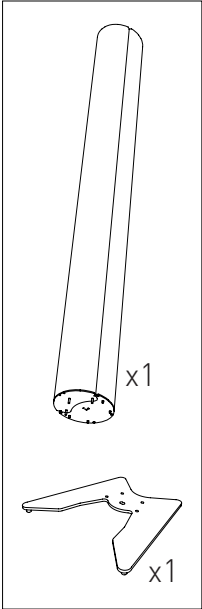
hex key



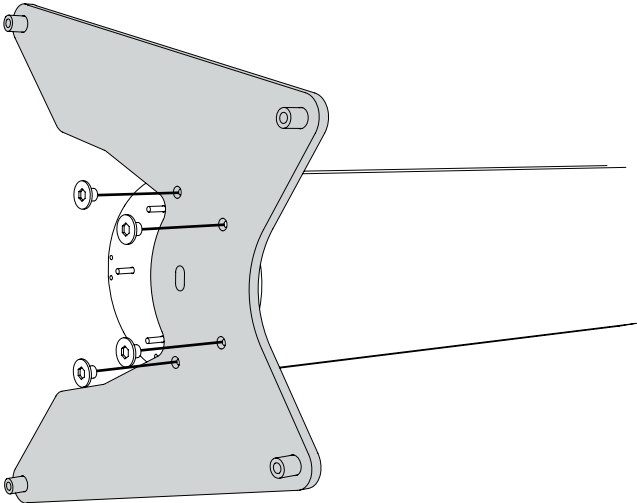
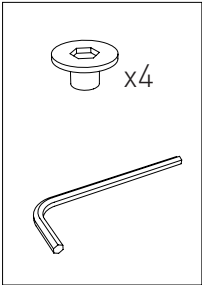
x1

Make sure the flat side is against the body

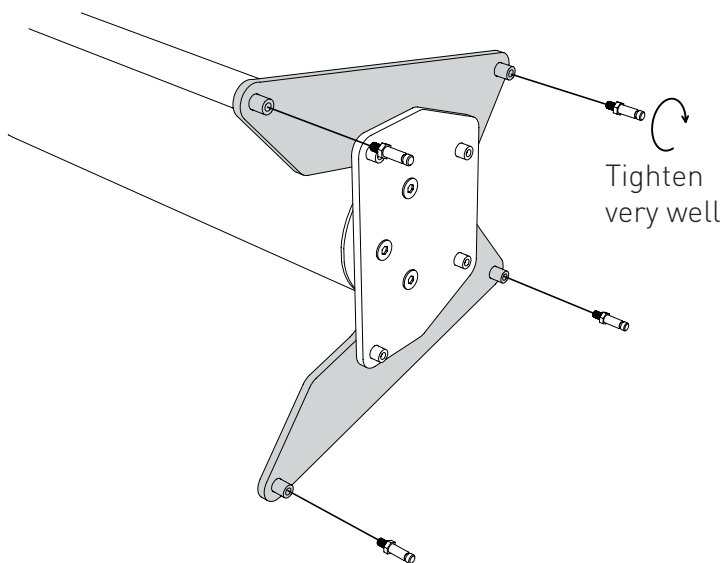
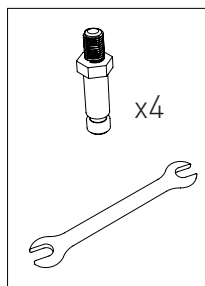
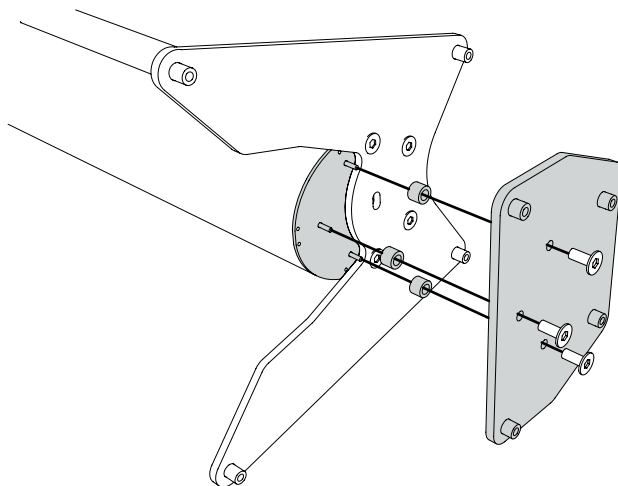
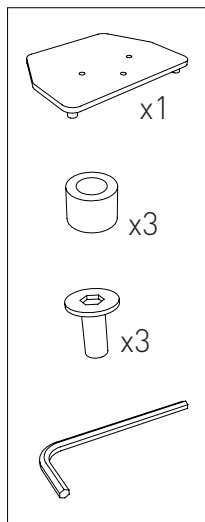
Step 1



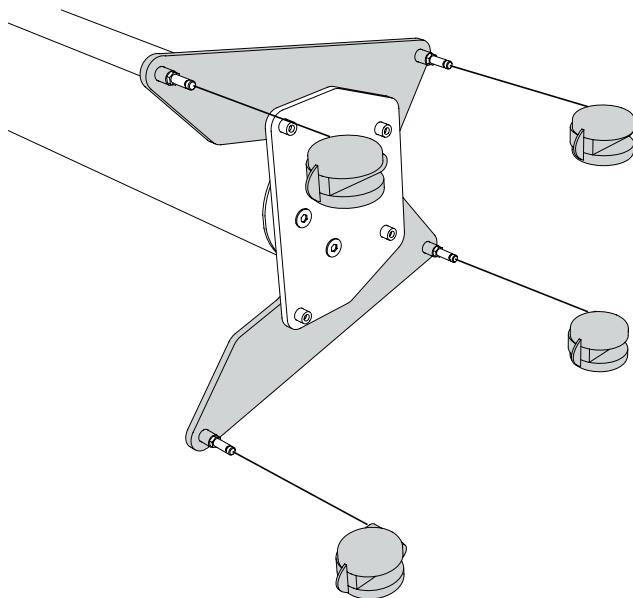
Step 2



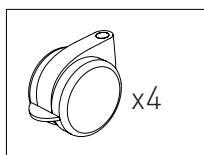
Tighten
the bolts



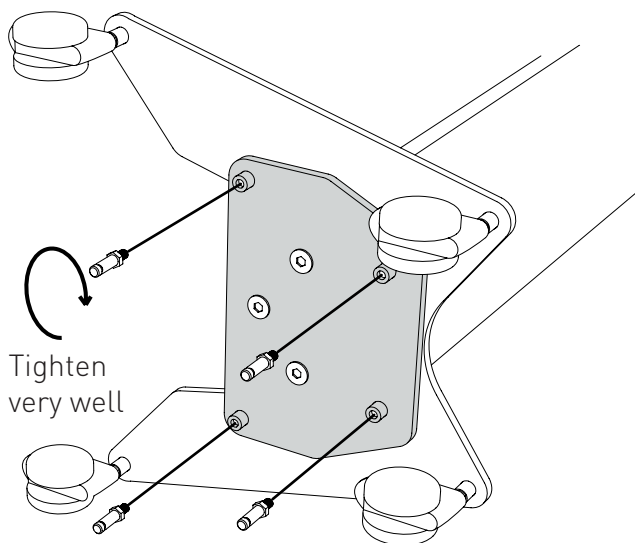
Step 5



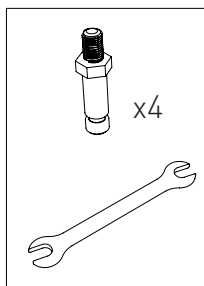
Pop in the wheels
with brakes



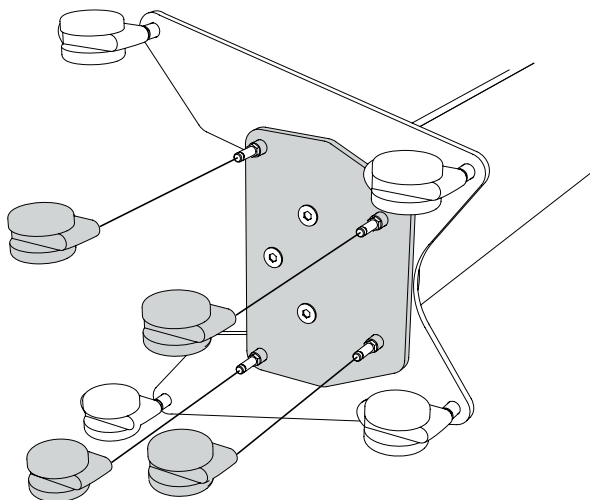
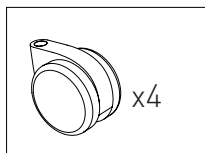
Step 6



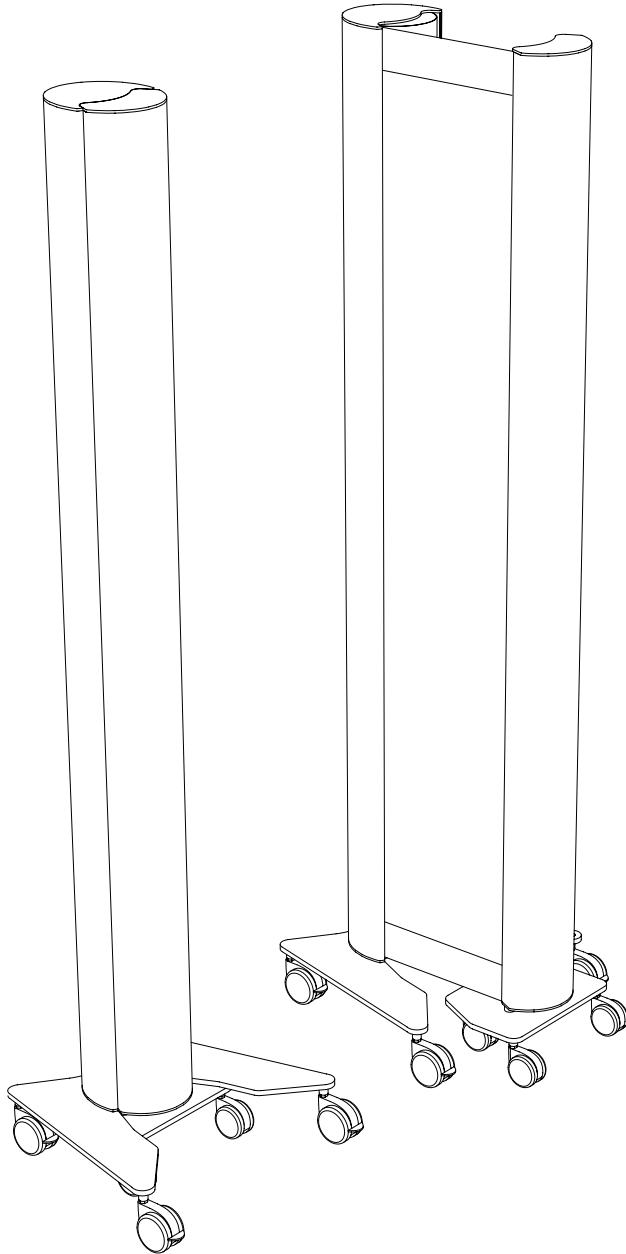
Tighten
very well



Pop in the wheels
without brakes

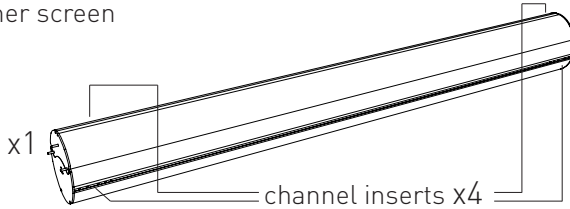


Assembled Portable Product

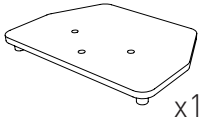


ASSEMBLY GUIDE FOR KWICKSCREEN FIXED UNIT

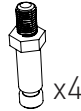
KwickScreen main body and front handle with inner screen



front handle base



castor pin



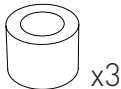
front handle castor



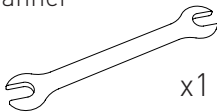
long bolt



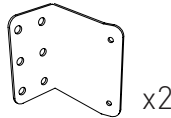
handle spacer



spanner



wall bracket



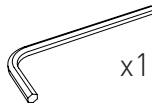
screw



M5 shake proof



big hex key



small hex key



Please read the following instructions.

To begin lay down main body and front handle sideways to start working.

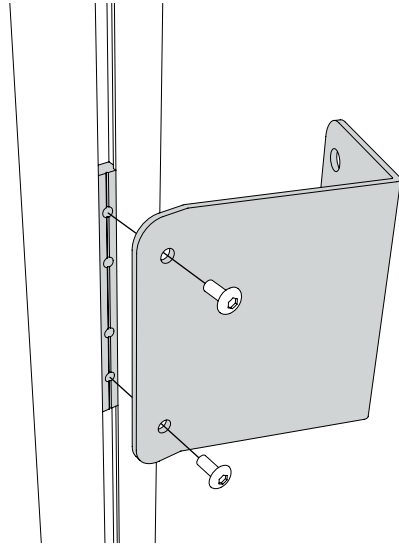
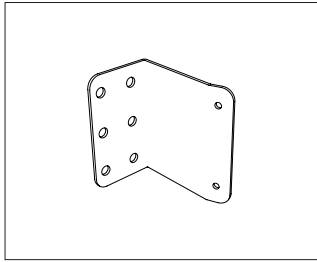
This is a 2 person job.

If you have any questions please contact us at:
www.kwickscreen.com
or call us on:
0208 819 1459

WALL BRACKETS

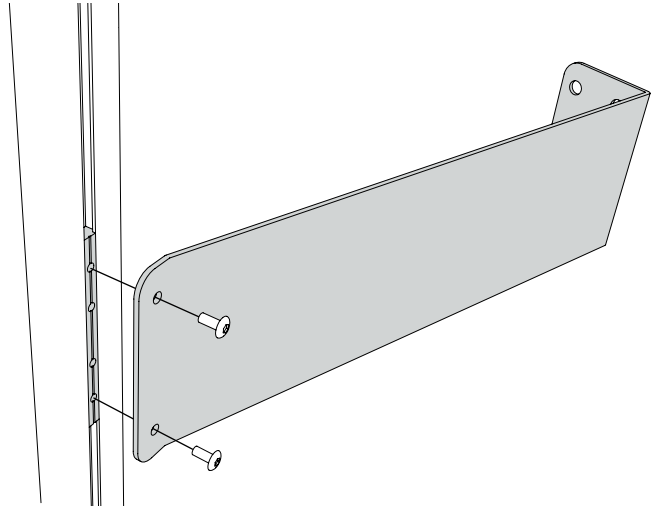
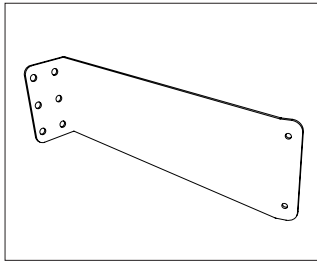
Bracket pairs are a set of top and bottom brackets which allow a KwickScreen unit to be attached to a wall.

Brackets may only be fixed to the side channels of a KwickScreen.



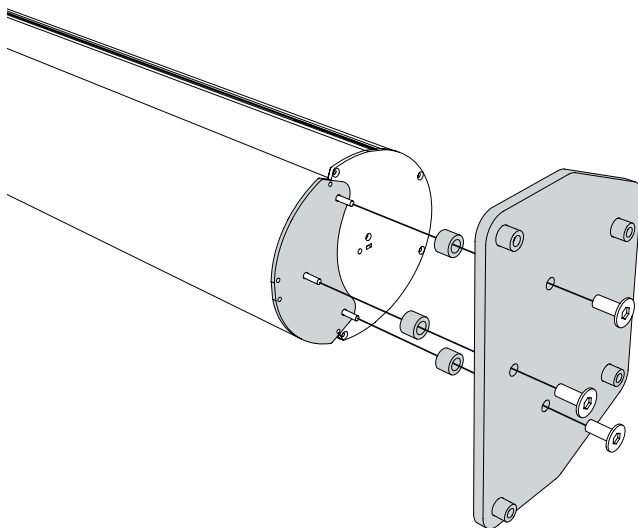
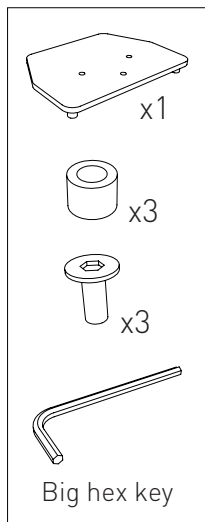
EXTENDED WALL BRACKETS

The extended brackets are designed to replace the universal bracket pair. Therefore instructions from installing the short bracket pair can be followed to attach extended brackets to the wall. There are 4 extended brackets per unit.

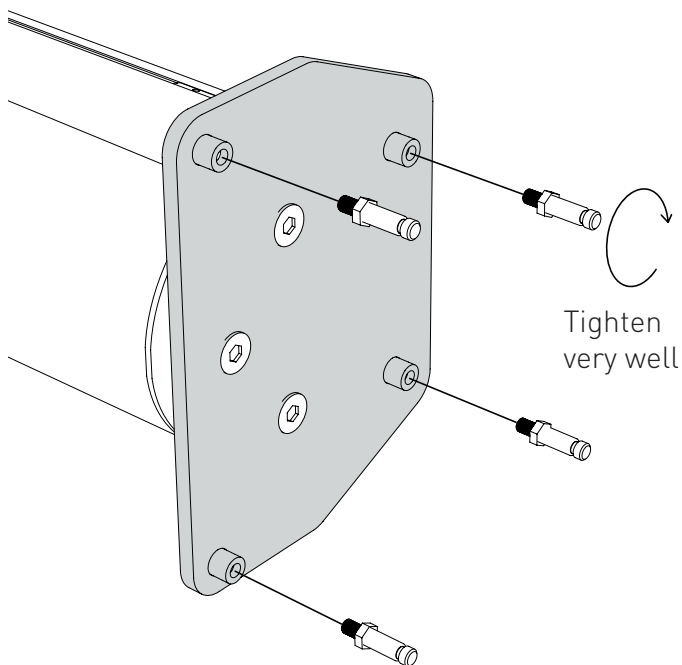
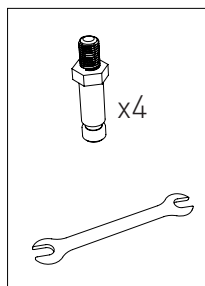


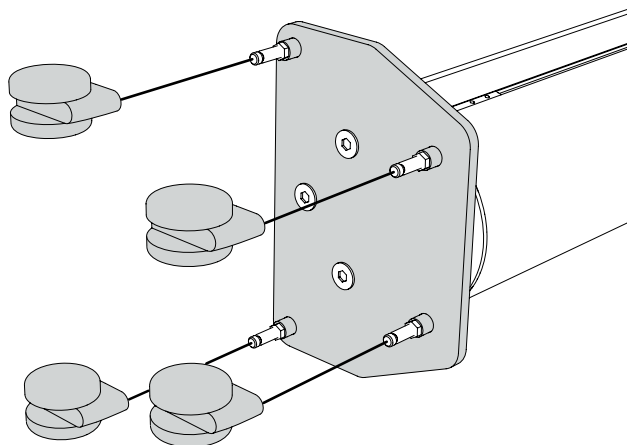
Step 1

Tighten
the bolts

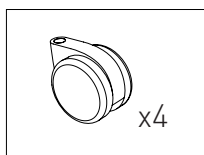


Step 2





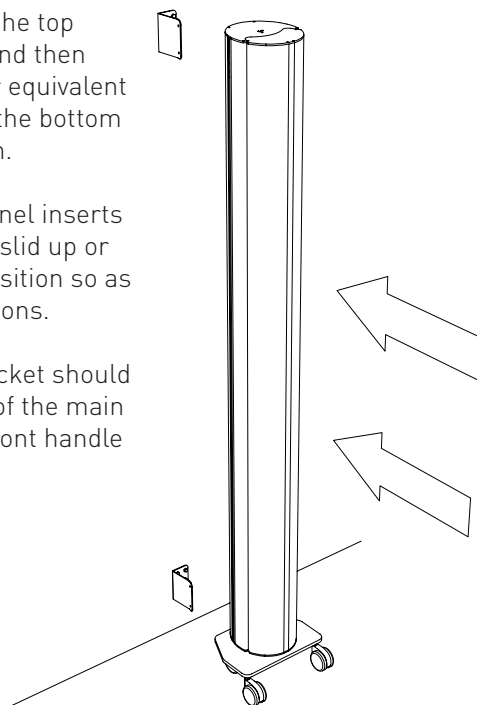
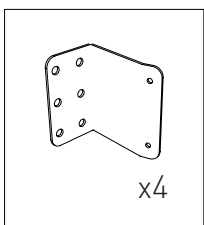
Pop in the wheels



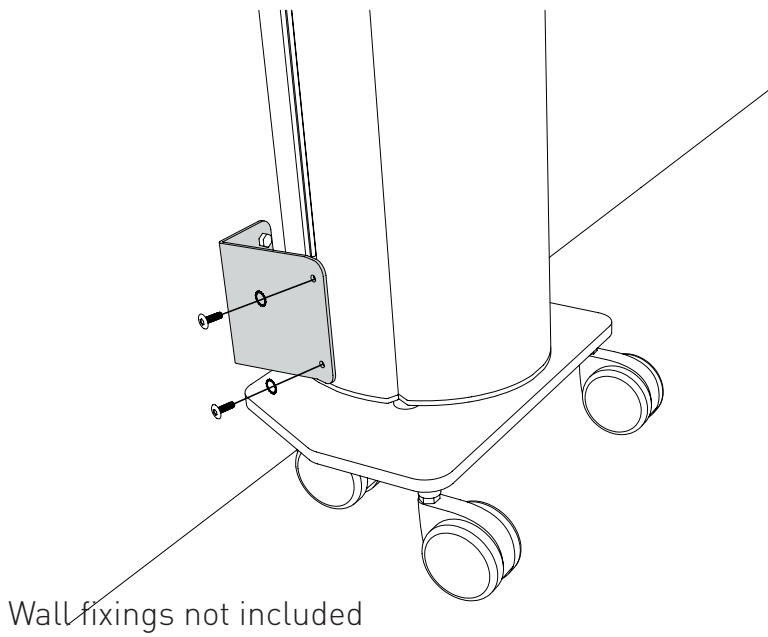
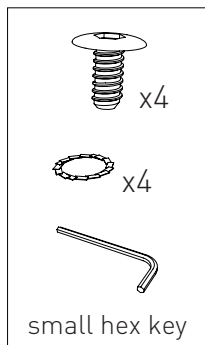
Mark the position of the top bracket on the wall and then using a plumb line or equivalent mark the position of the bottom bracket at the bottom.

Please note the channel inserts can be loosened and slid up or down to a suitable position so as to avoid any obstructions.

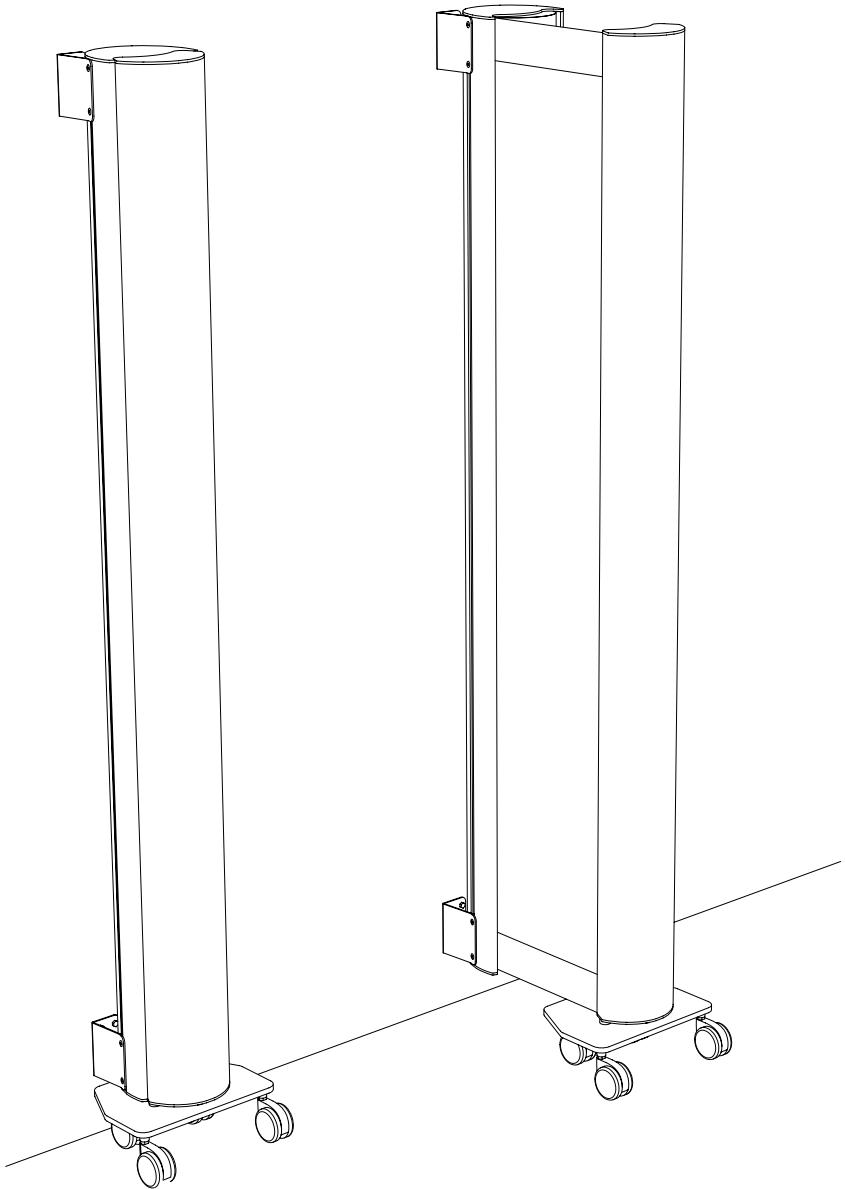
The height of the bracket should be such that the top of the main body and top of the front handle are level.



Step 5



Assembled Fixed Product



CLEANING

The KwickScreen has been designed in line with infection control performance specifications. It's smooth surfaces are easy to clean and designed to withstand regular cleaning. The body is made of anodized aluminium, other metal parts are powder coated steel. The screen panel is made with polyester film.

NORMAL CLEANING

Surfaces should be cleaned using a solution of warm water and **mild detergent**. Use a clean soft cloth and rinse with clean water after washing.

Hypochlorite may also be used on the screen material. Hypochlorite can be applied at 1000-10000 ppm or a **60% alcohol solution**.

STUBBORN STAINS

If normal cleaning does not remove all stains the following cleaning agents may be used at room temperature:

- Methyl butyl alcohol
- Naphtha VM&P
- Ethyl alcohol
- Isopropyl alcohol

Care should be taken with printed panels when using alcohol based agents.

DEEP CLEANING

Deep cleaning is recommended every 3-4 months. To deep clean, fully extend the screen and clean inside the body.



WHEN CLEANING THE
KWICKSCREEN DO NOT USE:

- Wax polishes or solvents
- Products with an abrasive surface as steel wool.
- Detergents which can form lime or synthetic detergents.
- Alkalis (over pH10)
- Solvents
- Gasoline
- Greases or oils
- Abrasive cloths or kitchen scouring compounds to clean the printed screen panel
- Any sharp instruments or razor blades to scrape the surface

Do not clean in direct sunlight or in elevated temperatures.

AFTER CLEANING, LEAVE THE SCREEN EXTENDED TO DRY
DO NOT RETRACT WHILST THE SCREEN IS WET

OPERATION

GENERAL INSTRUCTIONS

The KwickScreen is designed for use on smooth, horizontal surfaces. Extra care should be taken when using on other surfaces.

When moving the KwickScreen check all 4 brakes have been released. The unit should then be moved with two hands at low down waist height.

Push and pull the front handle gently during operation. If the handle needs to be forced please contact us.

If there is resistance then stop, pull out and push in again gently.

Make sure the front handle is vertical and that its four wheels are all in contact with the floor.

If leaving the KwickScreen on an incline please ensure all brakes are engaged.

Do not run when using the KwickScreen

If you hear a crumpling sound or see the inner panel folding in operation it is possible that the magnetic strip attaching the inner panel to the rotor may have come off during use or transit. Please pull the screen out to it's full length and wrap the inner panel around the rotor reconnecting the magnetic strips.

If you do experience any problems with your KwickScreen please call us on 0208 819 1459 or email us at info@kwickscreen.com

KWICKSCREEN

If you have any questions please contact us at:

www.kwickscreen.com

info@kwickscreen.com

or call us on: **0208 819 1459**