



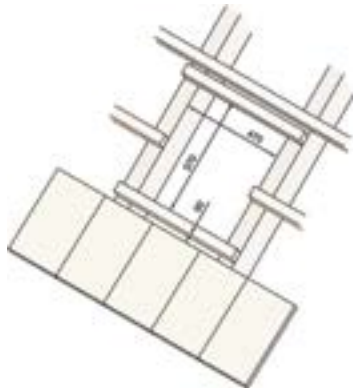
# Square Sunpipe®

## Installation Instructions

### 1. Roof Level Trimming Requirements

Establish the position in which the SUNPIPE is to be installed and remove the tiles or slates from around the area.

Form a clear trimmed opening of 570 mm high by 470 mm wide. Note that the top edge of the lower trimming batten should be located 90 mm from the lower roof tiles.



### 2. Unpacking the Rooflight Components

Carefully lay the box containing the rooflight onto the floor and open. For a slate roof installation, remove the foam wedge located on the front of the flashing plate.



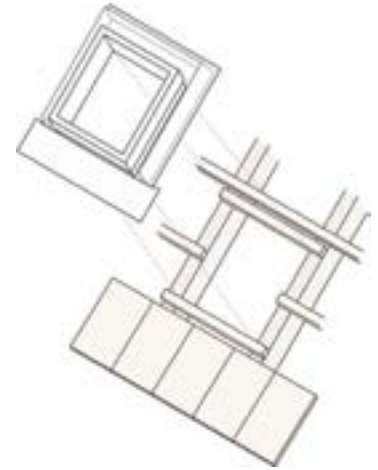
With the rooflight face down to the floor, unfold the lead flashing along the lower edge so that it is flat. Located on each of the two long sides of the rooflight are two metal brackets. Fold each of these up so that they are at a 90° angle to the flashing plate.



### 3. Locating the Rooflight on the Roof

Lift the rooflight to the desired location on the roof.

This should be positioned to allow the four metal brackets to the inside face of the side trusses.



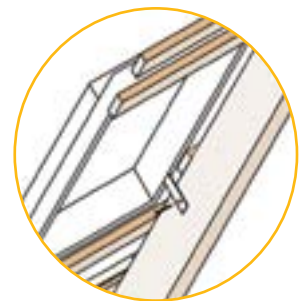
The lower lead flashing is to overlap the roof tiles located just below the roof light opening.



### 4. Fixing the Rooflight

Using suitable screws (supplied by others) secure each of the four metal brackets to the side trusses.

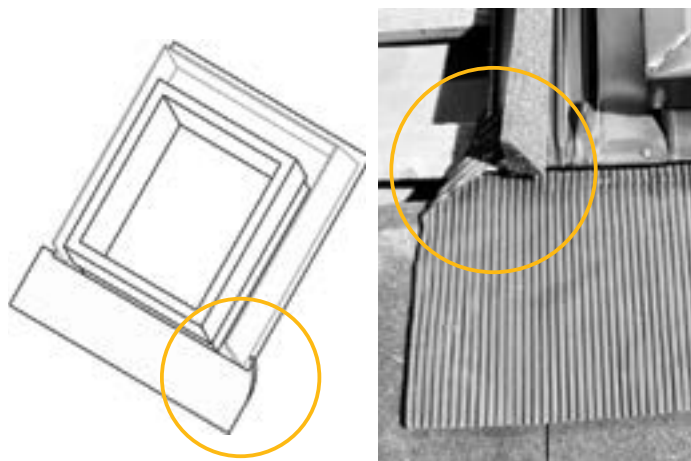
Once secure, use your hand or a rubber mallet to mold the lead flashing plate to match the profile of the roof tiles.



For a slate roof, gently flatten the lower lead flashing to the top of the roof slates using your hand.



## 5. Finishing the Lead Flashing



Bend the two top corners of the lead flashing in toward the rooflight to protect from weather ingress.

## 6. Replacing the Roof Tiles

Carefully replace the roof tiles or slates around the flashing plate.

On each side, ensure the tiles do not overlap the weathering upstand protruding from the flashing.

For a profile tile roof, fold the foam wedge down and away from the rooflight and fit the tiles.

*Note: the tiles may require some trimming to suit re-installation.*

Along the top of the flashing the lower edge of the slate tiles should rest on top of the weathering upstand, leaving an 8 cm gap to the rooflight edge.



## 7. Installing the SUNPIPE Transition

Care must be taken when handling the SUNPIPE, as the edges may be sharp.

Take each of the two aluminium transition pieces and carefully push through the opening.

The top edge of the transition unit should align with the top of the wooden frame of the rooflight.

Using the four 15 mm long screws secure the transition in place through the transition into the wooden frame in the center of each side.

Using the clear mastic from above, seal the gap between the transition and the wooden frame.

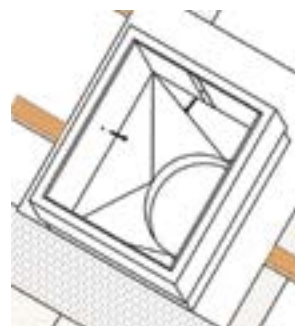
Wipe away any excess.

The rooflight must now be screwed shut using the two 25 mm long screws and two rubber washers supplied.

Hold the external frame down into position and screw through the lower edge frame into the inner frame, ensuring the rubber washer is located between the screw head and the frame to prevent water ingress.

Take care not to damage the leading edge of the transition unit and then connect up the SUNPIPE length and elbow of the SUNPIPE system to suit the desired location following the appropriate instructions set out earlier in the general SUNPIPE installation instructions.

Continue with the installation of the remainder of the SUNPIPE system, as the **Pitched Roof SUNPIPE Installation Instructions**.



Watch the full installation process at: [www.youtube.com/monodraughtuk](http://www.youtube.com/monodraughtuk)

