



# POINT WIND CONE PWC-EX LED CLASS I, DIVISION 2 & ZONE 2

Compliances: FAA Advisory Circular 150/5390-27E Windsock  
 ICAO Annex 14, Volume II Heliports, Paragraph 5.1  
 Transport Canada TP312, Chapter 5 Visual Aids  
 UK CAA CAP 437  
 Listed Class I, Division 2, Groups A B C D, T4A at 55-deg C, T5 at 40-deg C  
 Listed Class I, Zone 2  
 Listed to UL 844 & UL 1598  
 Listed to UL 1598A Marine Vessels  
 Listed to CSA C22.2 No. 137-M1981 Canada  
 Helicopter Safety Advisory Conference HSAC RP 2008-01, para. 2-14

A wind cone is used to visually indicate wind direction at airports and heliports. Point Lighting wind cones are installed at offshore helidecks, heliport, hospitals, corporate headquarters and military bases around the world. UL & ETL listed Class I, Division 2 lighting is used for hazardous area requirements.

FAA Type	Size	Lighting	Power	Windsock	Rating	Options
PWC-806	1: 8-ft Sock FAA Size 1 4: 1.2m Sock ICAO	L: Lighted Style I	2: AC* 4: DC**	ON: Orange Nylon RW: Red/White	EX: Class I, Division 2 Zone 2	OL: Obstruction Light Class I, Division 2 SM: Stand Mount FM: Flange Mount (page 3)

Size 1: 8-ft sock has 18-inch diameter frame  
 Size 4: 4-ft sock per ICAO. PEMEX & HSAC

\* AC range is 93-250V; 50/60Hz  
 \*\* DC range is 10.8-26.4 VDC

Note: The POL-EX is labeled 220V but is approved for 120-240V use. Flood lights are universal voltage.

HIGH INTENSITY LED FLOODLIGHT  
 -40 TO +55 DEGREE C  
 T4A RATED AT 55 DEGREE C



PWC-EX LED WIND CONE  
 TYPE 806 CLASS I, DIVISION 2



Pole is Stainless Steel 316L  
 Junction Box included

Temperature Rating: T4A at 55-deg C; T5 at 40-deg C  
 Power – Floodlight (AC): 25 watts each  
 Power – Obstruction (AC): 2.1 watts

SPARE PARTS

- PL10928-2 Floodlight Assembly (120/230V)
- PL10928-4 Floodlight Assembly (12/24Vdc)
- PL10063-CH Windsock Size 1
- PL10996 Windsock Size 4
- PL10289 Basket Subassembly Size 1

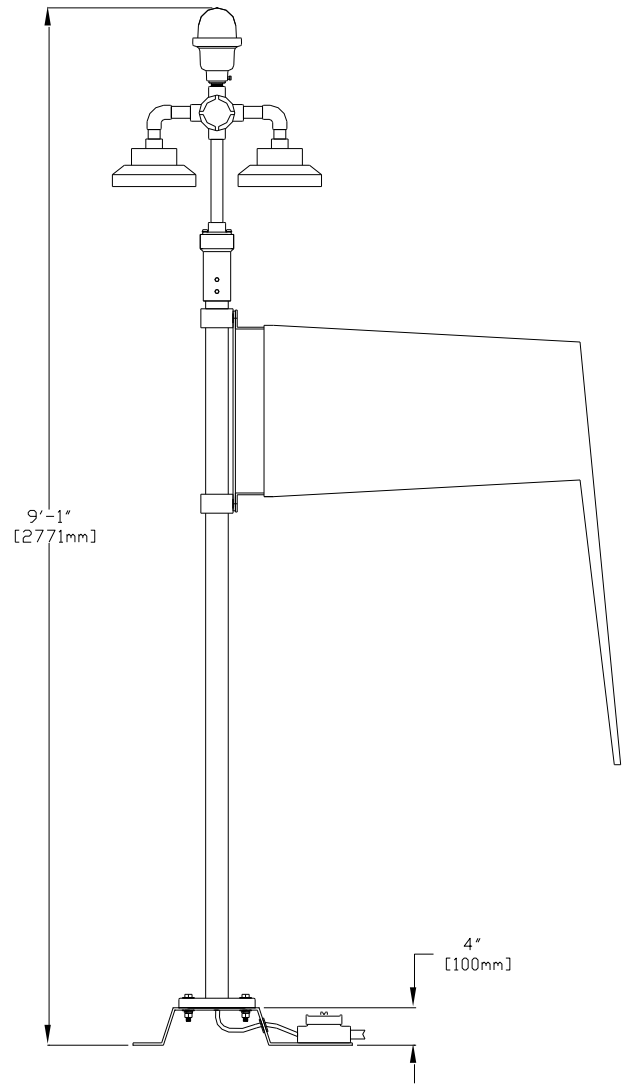
# POINT WIND CONE PWC-EX LED CLASS I, DIVISION 2 & ZONE 2

---

PWC-EX WIND CONE  
PWC-8061L-2-ON-EX-OL-SM



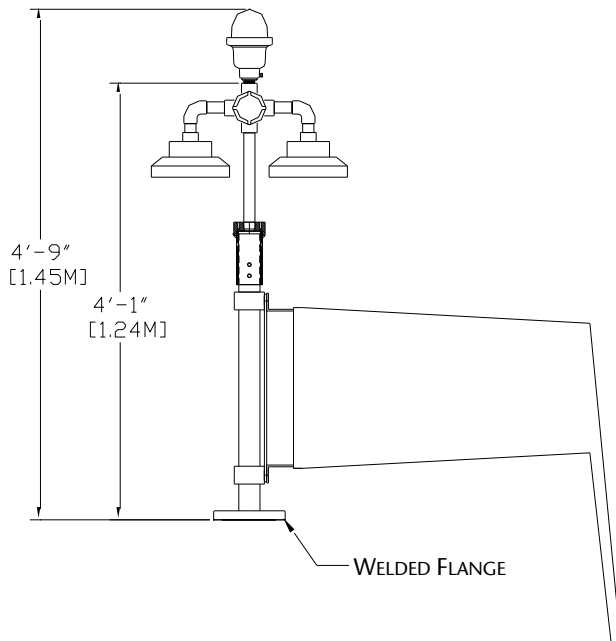
Junction Box included



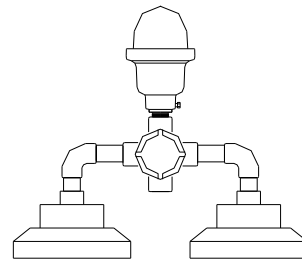
# POINT WIND CONE PWC-EX LED CLASS I, DIVISION 2 & ZONE 2

## OPTION -FM FLANGE MOUNT

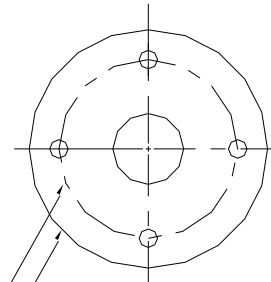
CLASS I, DIVISION 2 WIND CONE  
PWC-8061L-2-ON-EX-FM-OL



LIGHTING ASSEMBLY



FLANGE MOUNT  
BOLT PATTERN



FLANGE DIAMETER:  
8-INCH [203mm]  
BOLT CIRCLE DIAMETER:  
6-INCH [152mm]  
MOUNTING HOLES DIAMETER:  
QTY 4: 9/16-INCH [14]

## POINT LIGHTING CORPORATION

Mail: P.O. Box 686, Simsbury, CT 06070  
Tel 01 860.243.0600  
email: [Info@PointLighting.com](mailto:Info@PointLighting.com)

Plant: West Dudley Town Rd, Bloomfield, CT  
USA

Fax 01 860.243.0665  
website: [www.PointLighting.com](http://www.PointLighting.com)