




# POINT WIND CONE PWC-AX LED ATEX ZONE 1 & 2 IECEx

Compliances: FAA Advisory Circular 150/5390-27E Windsock  
 ICAO Annex 14, Volume II Heliports, Paragraph 5.1  
 UK CAA CAP 437  
 Listed to ATEX Zones 1&2, T4 at -40 deg C to +65 deg C  
 Listed by Sira  II 2GD Ex d IIC T4 Gb IP66  
 ABS 13-HS1043210C-PDA



A wind cone is used to visually indicate wind direction at airports and heliports. Point Lighting wind cones are installed on offshore helidecks, heliports, hospitals, and military bases around the world.

FAA Type	Size	Lighting	Power	Windsock	Rating	Options
PWC-806	1: 8-ft Sock FAA Size 1 4: 1.2m Sock ICAO	L: Lighted Style I	1: AC	ON: Orange Nylon RW: Red/White	AX: Zone 1 & Zone 2	OL: Obstacle Light FM: Flange Mount (page 4) SM: Stand Mount

Size 1: 8-ft sock has 18-inch diameter frame  
 Size 4: 4-ft sock has 12-inch diameter frame

All hardware is stainless steel 316

PWC-AX LIGHTING  
SUBASSEMBLY WITH  
OPTION -OL



ATEX ZONE 1 & 2 LISTED  
HIGH INTENSITY LED FLOODLIGHT  
T4 RATED & IP66  
-40 TO +65 DEGREE C

CERTIFICATE: IECEx SIR 11.0156  
 CERTIFICATE: SIRA 11ATEX1357

Lumens in white light: 4,000  
 Temperature Rating: T4 -40 to +65 C  
 Voltage with -OL: 120-240V  
 Power Consumption - Flood: 38 watts  
 Power Consumption - OL: 15 watts

SPARE PARTS

- PL11027-1 Floodlight Assembly
- PL11282-1 Obstacle Light
- PL10063-CH Windsock Size 1
- PL10996 Windsock Size 4
- PL10289 Basket Subassembly Size 1

ATEX & IECEx WIND CONE  
PWC-8061L-1-ON-AX-SM



Pole is Stainless Steel 316L





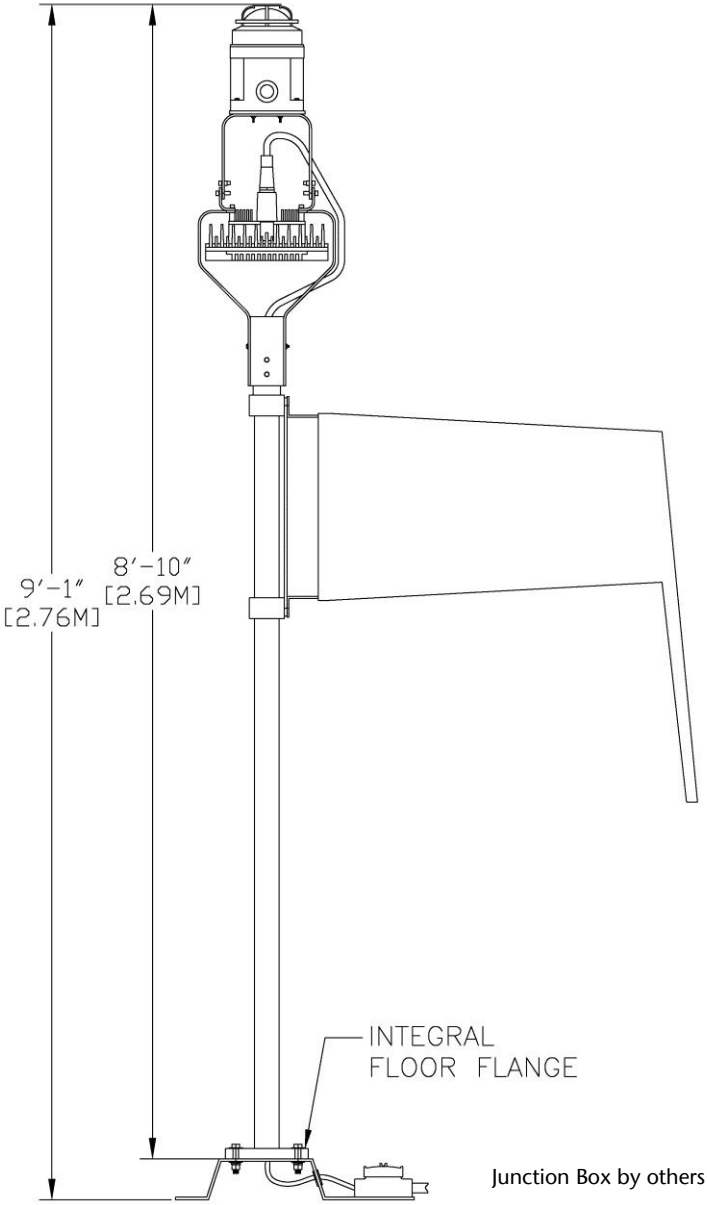
POINT WIND CONE  
PWC-AX LED  
ATEX ZONE 1 & 2 IECEx

---



# POINT WIND CONE PWC-AX LED ATEX ZONE 1 & 2 IECEx

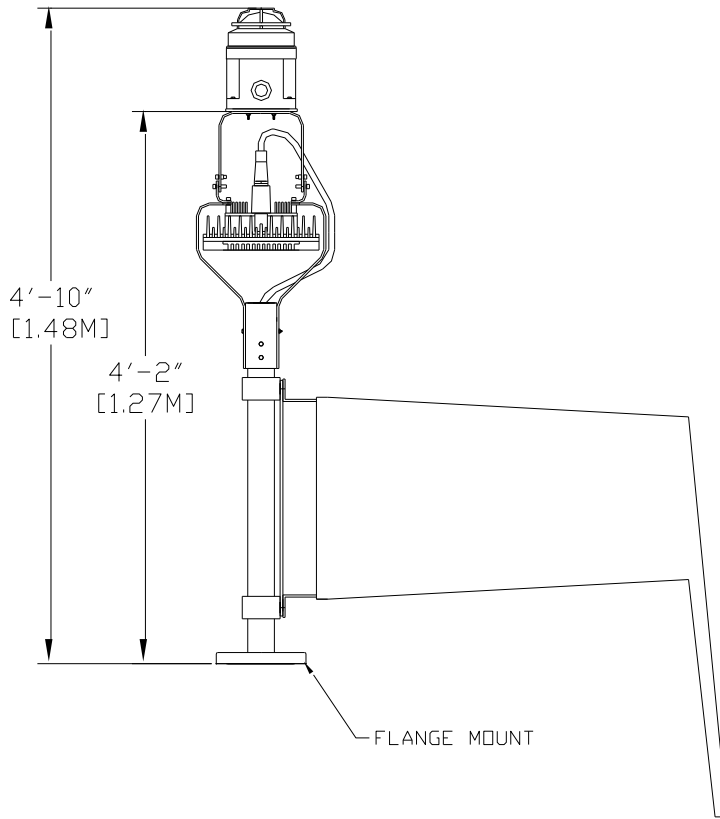
ATEX & IECEx WIND CONE  
PWC-8061L-1-ON-AX-OL-SM



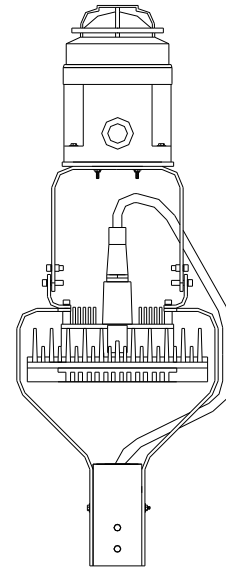
# POINT WIND CONE PWC-AX LED ATEX ZONE 1 & 2 IECEx

## OPTION -FM FLANGE MOUNT

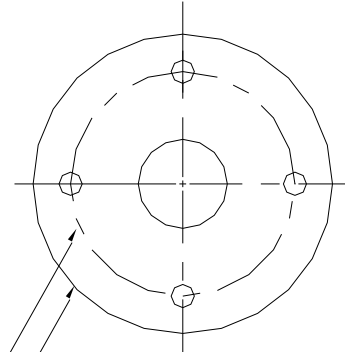
ATEX & IECEx WIND CONE  
PWC-8061L-1-ON-AX-FM-OL



## LIGHTING ASSEMBLY



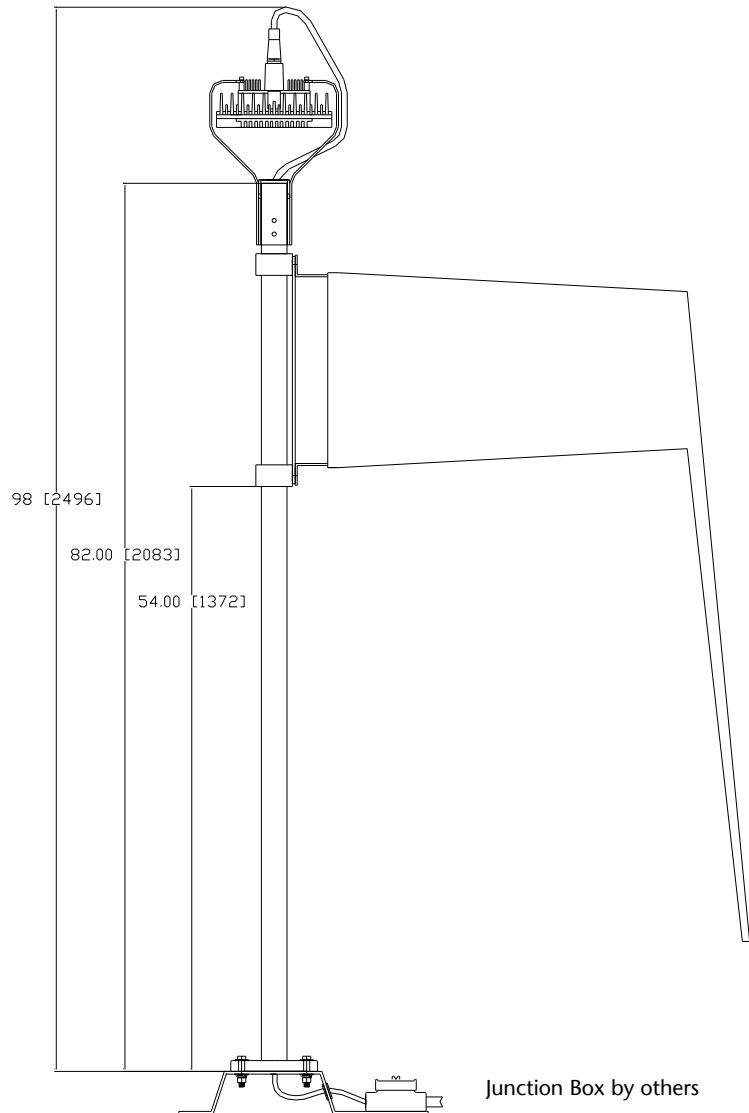
## FLANGE MOUNT BOLT PATTERN



- FLANGE DIAMETER:  
8-INCH [203mm]
- BOLT CIRCLE DIAMETER:  
6-INCH [152mm]
- MOUNTING HOLES DIAMETER:  
QTY 4: 9/16-INCH [14]

# POINT WIND CONE PWC-AX LED ATEX ZONE 1 & 2 IECEx

ATEX & IECEx WIND CONE  
PWC-8061L-1-ON-AX-SM



## POINT LIGHTING CORPORATION

Mail: P.O. Box 686, Simsbury, CT 06070  
Tel 01 860.243.0600  
email: [Info@PointLighting.com](mailto:Info@PointLighting.com)

Plant: 61-65 W. Dudley Town Rd, Bloomfield, CT  
USA

Fax 01 860.243.0665  
website: [www.PointLighting.com](http://www.PointLighting.com)