

POINT HELIPORT LIGHTS PHL LED v5 COMBINATION PERIMETER & FLOODLIGHT

Compliances: ETL Listed per UL50 & UL1598 at -40 deg C to +50 deg C
 ETL Listed to CSA C22.2 No. 137-M1981
 FAA AC 150/5390-2B Heliport Design Guide
 ICAO Annex 14, Volume II
 Registered ISO 9001:2008
 Transport Canada TP14371, AGA 7.17



The PHL elevated LED lights mark the perimeter (FATO) of a heliport. The FAA recommended perimeter color is green. The international recommended color is green. The purpose of the PHL's LED floodlight is to provide light "washing" the pad surface to provide better depth perception to the pilot than simply having perimeter lights. It improves conspicuity to the pilot but does not provide even illumination of the pad surface that may be required for other reasons. The floodlight is engineered to be well controlled and reduce glare to the pilot. The overall height is compatible with standard height PEL's to be used together on the same perimeter. The colored LED perimeter light and the LED floodlight may be separately circuited if independent control is required.

See file 0MOUNTINGS for mounting details

Point Type	— Voltage	Array	— Color	— Floodlight	— Mounting & Options
PHL-57005	1: 120v 2: 220v	H: Heliport C: CAP 437	G: Green Y: Yellow W: White R: Red B: Blue	53062	VB: Variable Brightness* PLB/PLS: Base & Gasket LSM: Low Surface Mount DH: Drain Hole in Base MT: Marine Treatment NC: NVG Compatibility**

* The floodlight voltage will match the perimeter light. Dimming option -VB does NOT apply to the floodlight

Note: Array H brightness exceeds ICAO Annex 14
 ** For use with visible (non-IR) array; adds IR LEDs.

The PHL v5 H array is 4.5 watts at 120-220V
 The PHL v5 C array is 7.4 watts at 120-220V

Option -MT is recommended for all marine, high salt content air and other corrosive environments.

Intertek ETL SEMKO Control Number: 3030033

PHL-57005-1H-G-53062
 SHOWN WITH PL40301 BASEPLATE

FLOODLIGHT DATA

Intensity: 2,052 lumens
 Peak: 6,977 candelas
 LED rated average life: 100,000 hours
 Temperature Range: -40 to +50 deg C
 Frequency: 50/60 Hz
 Ingress Rating: IP66



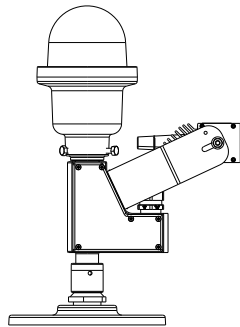
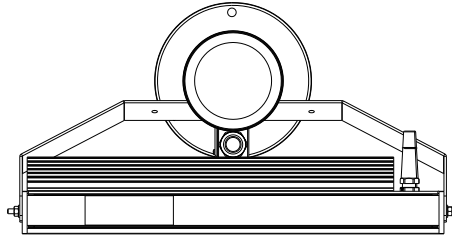


POINT HELIPORT LIGHTS

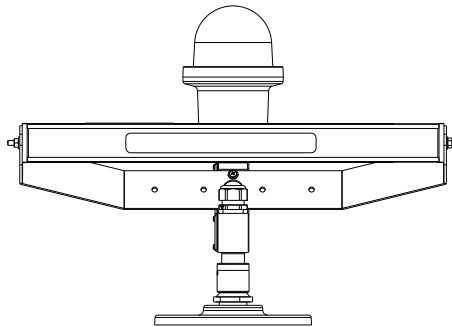
PHL LED v5

COMBINATION PERIMETER & FLOODLIGHT

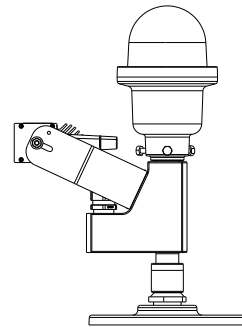
PHL – Top View



Side View



PHL – Front View



Side View

Instruction Sheet: ISPHL57005
 LED Life (hours): 100,000
 Height: 16.2 (411)
 Width: 21.5 (546)
 Base Diameter: 8.0 (203)
 PLB Depth: 10.0 (254)
 PLS Depth: 4.0 (102)
 Weight: 4.0 lbs 1.8 kg
 Volume: 0.5 sq.ft .014 m.sq.

Replacement Parts & Tools

Note: The PEL optical subassembly is permanently sealed. In the event of failure, the fixture must be returned to the factory for evaluation and repair.

PSF-53062-T	Floodlight
PL10038	Pipe Extension
PL10040	Breakable Coupling
PL40301	Baseplate
PL10049-4-6	Gasket, Baseplate



POINT LIGHTING CORPORATION

Mail: P.O. Box 686, Simsbury, CT 06070
 Tel 01 860.243.0600
 email: Info@PointLighting.com

Plant: 61-65 W. Dudley Town Rd, Bloomfield, CT
 USA
 Fax 01 860.243.0665
 website: www.PointLighting.com