

# POINT BATTERY LIGHTS PBL LED HELIPORT & AIRFIELD PORTABLE LIGHT

Compliances: FAA AC 150/5390-2B Heliport Design Guide  
ICAO Annex 14, Volume II

The PBL DC voltage powered portable LED lights may mark the FATO perimeter of a heliport, taxiway closure on an airport, temporary obstructions or construction and other temporary airfield lighting applications. The electronic power supply is potted to be watertight in the fixture optical assembly. The rechargeable PBL is intended for use at fixed airfield installations where the lights are normally stored inside and left to float charge until needed. The carrying handle mounting plate may be staked or weighted down with bricks or blocks. Each PBL is manually switched ON-OFF in place. Total run-time between charges is about ten (10) hours depending on the ambient temperature.

Point Type	—	Color	—	Options
PBL-51004	G: Green	R: Red		MT: Marine Treatment
	Y: Yellow	B: Blue		NC: NVG compatibility*
	C: White	IR: Infrared		
PL10912	Charging Station for 1 to 12 PBL Lights			
	Universal AC voltage 90-250V, 50/60 Hz			

\* For use with visible colors; adds IR LEDs. This option will reduce PBL run-time.

PL10912  
CHARGING STATION



PBL-51004-G

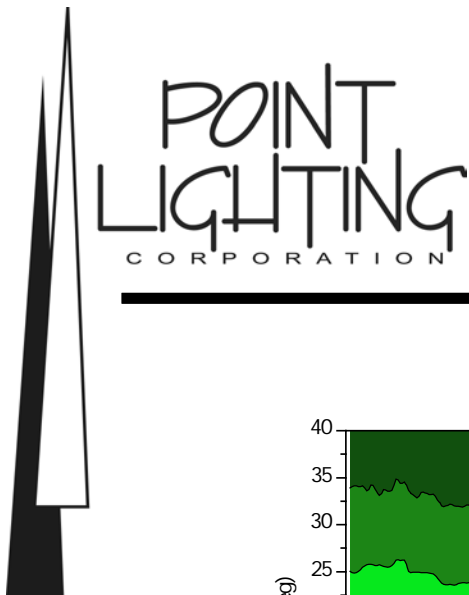


Note: Charging station is supplied without wall plug.  
Installer to add plug meeting local standards.

Option –MT is recommended for all marine, high salt content air and other corrosive environments.

*The fixture shall be treated for marine conditions by cleaning per US MIL method III of TT-C-490, chromate priming per US MIL-C-5541, epoxy powder base coat and glossy polyester powdercoat finish coat in color RAL 6003 (FED-STD-595 color #14097) green. Oven cured per US MIL-PRF-24712A.*

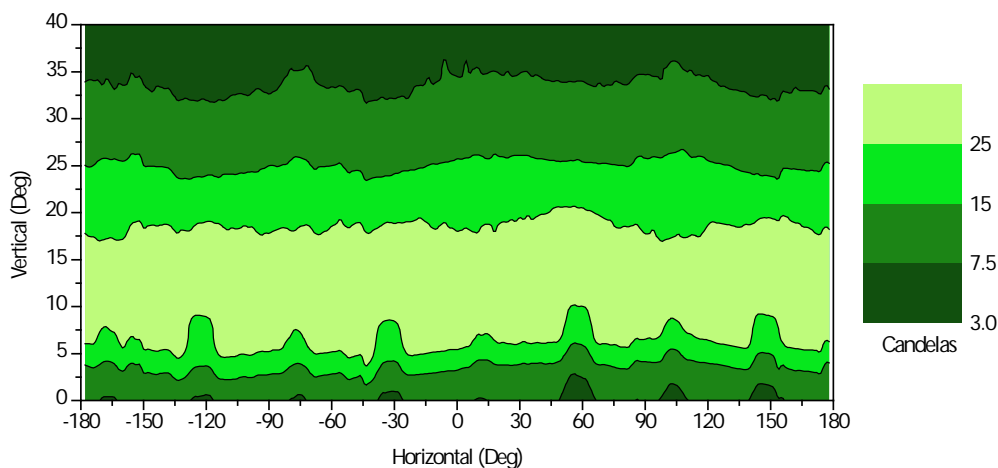




# POINT BATTERY LIGHTS PBL LED HELIPORT & AIRFIELD PORTABLE LIGHT

PHOTOMETRIC CHART: GREEN ARRAY

LED Array in Green:  
Average Peak Beam  
30 cd at 12-deg V



## PBL BATTERY LIGHT FEATURES

- ✦ Sealed optical subassembly with colored light emitting high intensity LED's
- ✦ 12V DC sealed lead acid (SLA) marine and solar grade rechargeable battery
- ✦ Carrying handle mounting plate may be staked or weighted down with bricks or blocks
- ✦ ON-OFF switch on door (top)
- ✦ Full battery charge will allow about ten (10) hours of operating time at 70-deg F
- ✦ Port with cap for connection of charging station
- ✦ Non-metallic NEMA 4X enclosure

## CHARGING STATION FEATURES

- ✦ Prewired with leads and connectors for recharging up to twelve (12) PBL units
- ✦ Universal AC input voltage 90-250V, 50/60 Hz
- ✦ May be left connected to power permanently without risk of overcharge
- ✦ ON-OFF switch on door (top) with green "Power ON" pilot light
- ✦ Includes line power cable; suitable plug must be added by the installer
- ✦ The twelve (12) charging cables are each about 6-ft long
- ✦ Non-metallic NEMA 4X enclosure

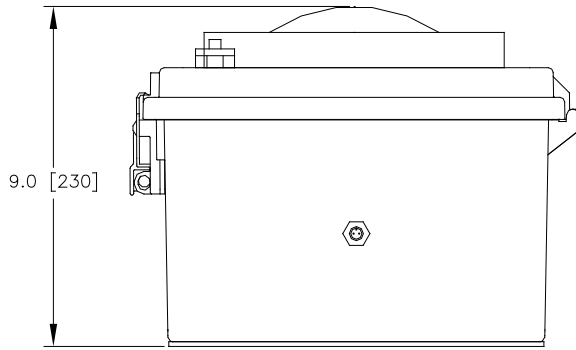


# POINT BATTERY LIGHTS

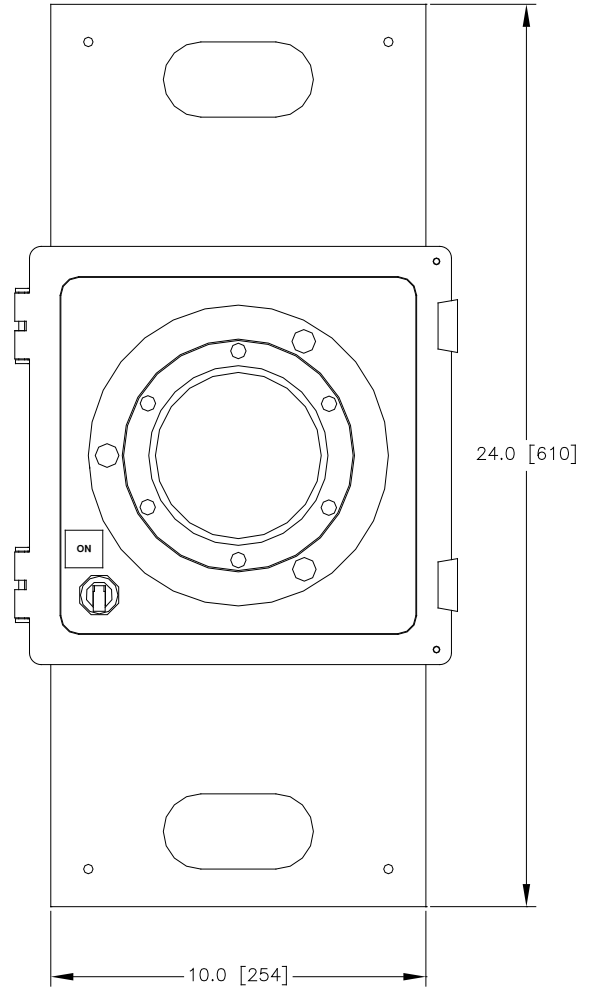
## PBL LED

### HELIPORT & AIRFIELD PORTABLE LIGHT

PBL-51004  
BATTERY LIGHT



SIDE VIEW



TOP VIEW

Instruction Sheet: IS51004  
LED Life (hours): 100,000

PBL Unit  
Weight: 17.0 lbs 7.7 kg

Charging Station  
Weight: 8.0 lbs 3.6 kg

## POINT LIGHTING CORPORATION

Mail: P.O. Box 686, Simsbury, CT 06070  
Tel 01 860.243.0600  
email: [Info@PointLighting.com](mailto:Info@PointLighting.com)

Plant: West Dudley Town Rd, Bloomfield, CT  
USA  
Fax 01 860.243.0665  
website: [www.PointLighting.com](http://www.PointLighting.com)