

Screening Systems

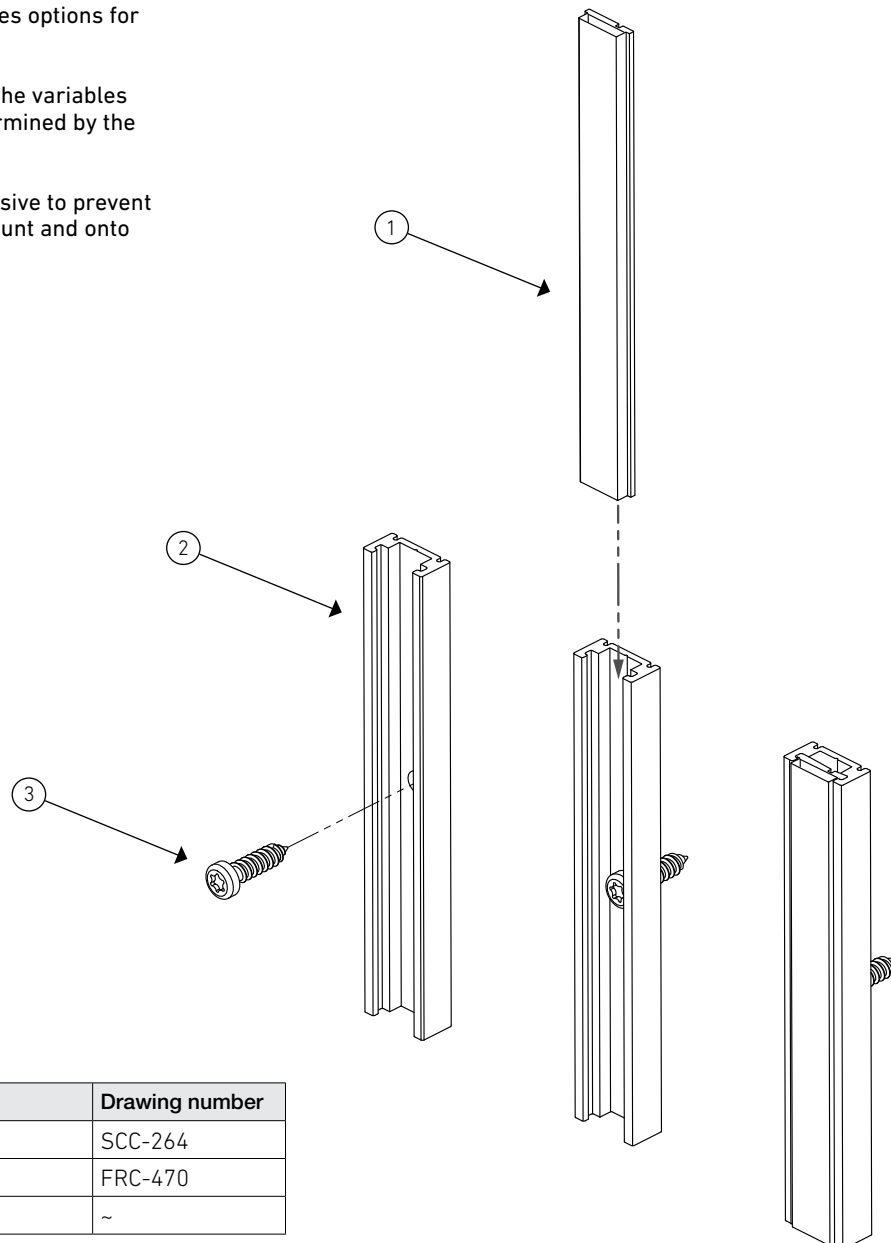
Magnet adaptor assembly

centor®

Magnet and compatible mount provides options for sealing XO and OX screen systems.

Length and location is dependant on the variables of each application and must be determined by the installer.

Crimp the mount or use silicone adhesive to prevent the magnet from sliding down the mount and onto the screen cable.



No.	Part name	Drawing number
1	Jamb magnet	SCC-264
2	Jamb magnet mount	FRC-470
3	8 gauge fixing screw	~

centor®

centor.com

INS-055 JUL21