

# **DockRight Basic Version System**

## **User Manual**

(Please read the instructions carefully before using)

### **Attention User:**

This product manual contains important information about the safe installation and use of this product. Please read and follow these instructions carefully, and keep this manual in a safe place for future reference.

### **Safety Warning:**

**Caution** – use of controls or adjustments or performance of procedures other than those specified herein may result in hazardous radiation exposure

Class 3R Laser Product – **Avoid Direct Eye Exposure**

#### **Nominal Ocular Hazard Distance – 0.5 m**

When unpacking, and before disposing of the carton, please check if there are any transportation damages before using the product. Should there be any damage caused by shipping and transit please consult the manufacturer immediately, and do not use it. Failure to do so will void your warranty.

1. The product is to be installed, operated, and maintained by qualified, trained personnel only.
2. Avoid direct and prolonged eye exposure to laser light. Laser radiation can be harmful to eyes if used improperly.
3. Keep the environmental housing glass of the laser unit clean at all times. Do not use alcohol, or any other cleaning fluids to clean the surface glass. Use medical quality cotton pads to clean the glass. Wipe in one direction several times, then repeat wipe again 90 degrees in opposing direction, making a cross pattern. Again, always wipe in one direction. If the internal optics become contaminated, consult factory.
4. Please do not attempt to dismantle and/or modify the products internal structure. Opening the environmental housing for the diode will automatically void your warranty.
5. Electrical connection of the laser system must be carried out by qualified personnel.

6. Before installation, study all power requirements to ensure that the voltage and frequency of power supply match the power requirement of the product.
7. Do not connect this device to any type of dimmer apparatus, and do not project onto reflective material like glass, mirrors, metal objects, etc.
8. If any part of the laser device fails, immediately stop using. All repairs should be made by qualified personnel only. If the product is within the warranty period, return to manufacturer repair or replacement.
9. When installing the system, be sure to follow the installation instructions precisely, firmly affixing all of the parts, including screws, articulating arm, clamp, mounts, etc.
10. If the laser beam begins vibrating it means the operation temperature is too high, and the laser diode operations electronics have gone into safety mode. Do not operate the system if the environment temperature more than 55 °C(131° F ) or lower than -20°C(-4° F).
11. If laser is not in use, storage temperature must be -20°C(-4° F ) to 55°C(131° F ), and humidity level must be kept at 20~90%RH.

**12. Special Note:**

- A. laser radiation is hazardous to the human eyes if exposure is direct and prolonged. Avoid staring directly into the beam.
- B. Be sure to affix the system properly to your warehouse beams or mounting surfaces. Damage during the installation will void factory warranty.
- C. As with any light source, when the laser is operational it easily generates a nominal amount of heat. Keep away from all flammable and or combustible materials.
- D. DO NOT observe laser light with enhanced optics, such as binoculars.

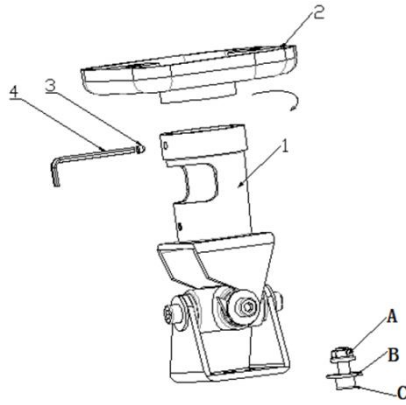
**Note:** This product is under factory warranty for a period of 1 year. We provide paid maintenance or replacement services during that time for premature failure. Force Majeure or user error not covered. Customer responsible for service return freight, factory will pay for returned repaired or replaced equipment.

**Product specifications and characteristics:**

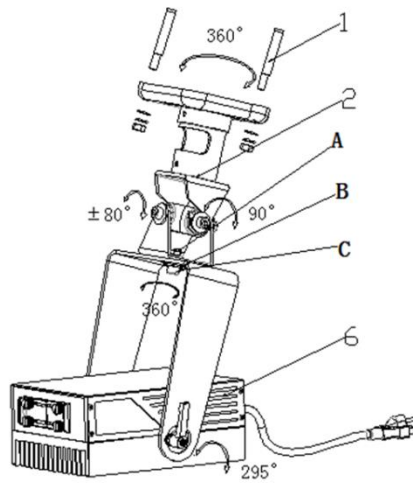
No.	Parameter	Description
1	Power Supply	Power input: 100-240VAC; Frequency: 50/60Hz
2.	Laser line Covering angle	90°
3	Laser diode output power	350mW
4	Packing list	Laser units, mounting, screws, wrench
5	Package Size	415mm*360 mm *175mm
6	Net Weight	5.8 Kg
7	Operation Environment	Indoor、 Outdoor
8	Operation Temperature	-4° F ~104° F (-20°C ~ 55 °C)
9	Operation Humidity	20~90%RH
10	Storage temperature	-20~+65°C @ moisture-proof and anti-static
11	Lifetime (hours)	18000
12	Warranty	2

### Operation instruction:

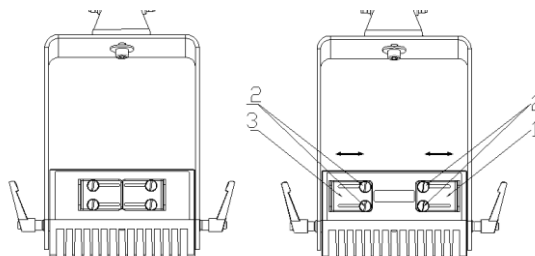
1.To install the mounting, remove the top screw (No. 4) with a 3mm hexagon bar wrench,, fix the base mount (No.2) to the connection stem(No. 1), adjust the direction and position and then fix the screw. Take out the parts A, B and C for next step installation.



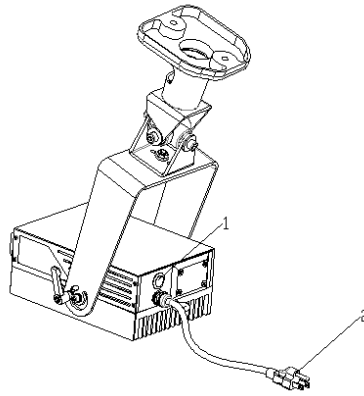
2. To install the laser units, connect the laser unit together with the hold A, B and C. After adjust the direction and position, fix the screw with 6mm hexagon bar wrench. figure 1 for expansion screws, which used for fixed on the wall. The angle adjustment range as shown below sketch:



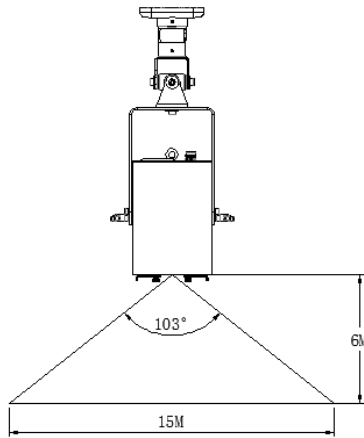
3. Beam aperture shutter: Loose the screw (No. 2), then the shutter can be moved and adjustable.



4. Plug in 110V Edison power, turn power on, and the laser beam comes out.



5. DO NOT attempt to adjust the laser power, or open any part of the internal structure.

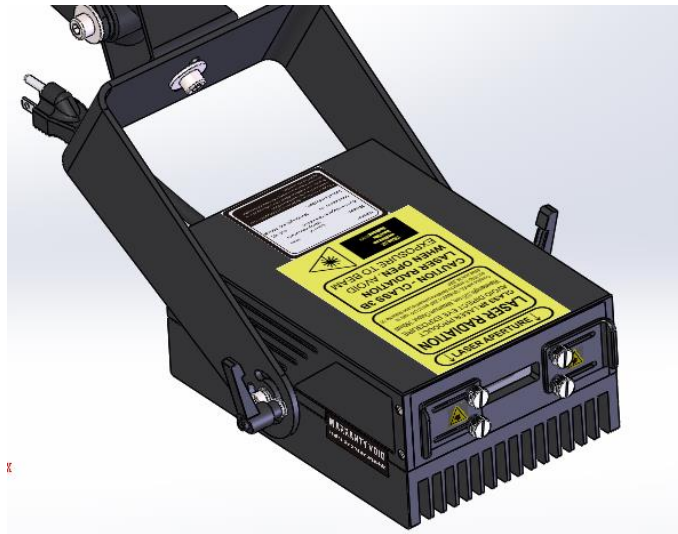


The Vertical downward projection angle is about  $103^\circ$

- At 6 meters distance from the laser beam, the vertical downward horizontal projection area is approximately 15 meters, line width is 6 cm.



**Laser Label Mockups:**



**Compliance:** Complies with IEC / EN 60825-1:2007 and 21 CFR 1040.10 and 1040.11 except for deviations pursuant to Laser Notice No. 50 dated June 24, 2007.