

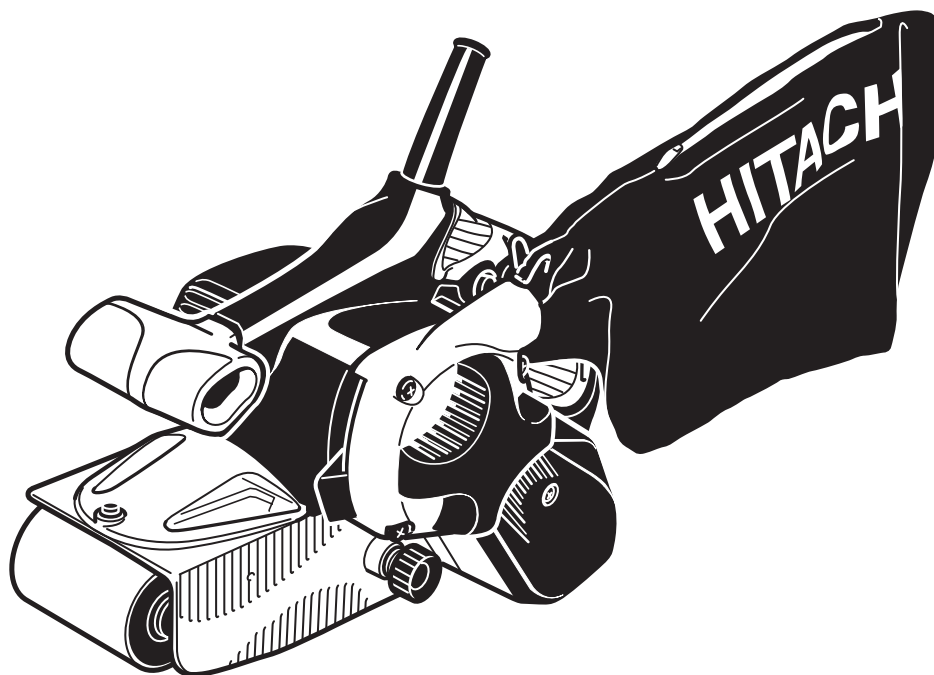
MODELS

SB 8V2

Hitachi Power Tools

**76 mm (3") BELT SANDER
SB 8V2**

**TECHNICAL DATA
AND
SERVICE MANUAL**



LIST No:

Mar. 2007

S

1. PRODUCT NAME

Hitachi 76 mm (3") Belt Sander, Model SB 8V2

2. MARKETING OBJECTIVE

The new Model SB 8V2 is the upgraded version of the current Model SB 8V2. The key features of the Model SB 8V2 are as follows:

- (1) 1,020 W powerful motor
- (2) Soft grip handles (Handle and sub handle)
- (3) Clear cover for checking the sanding position during operation

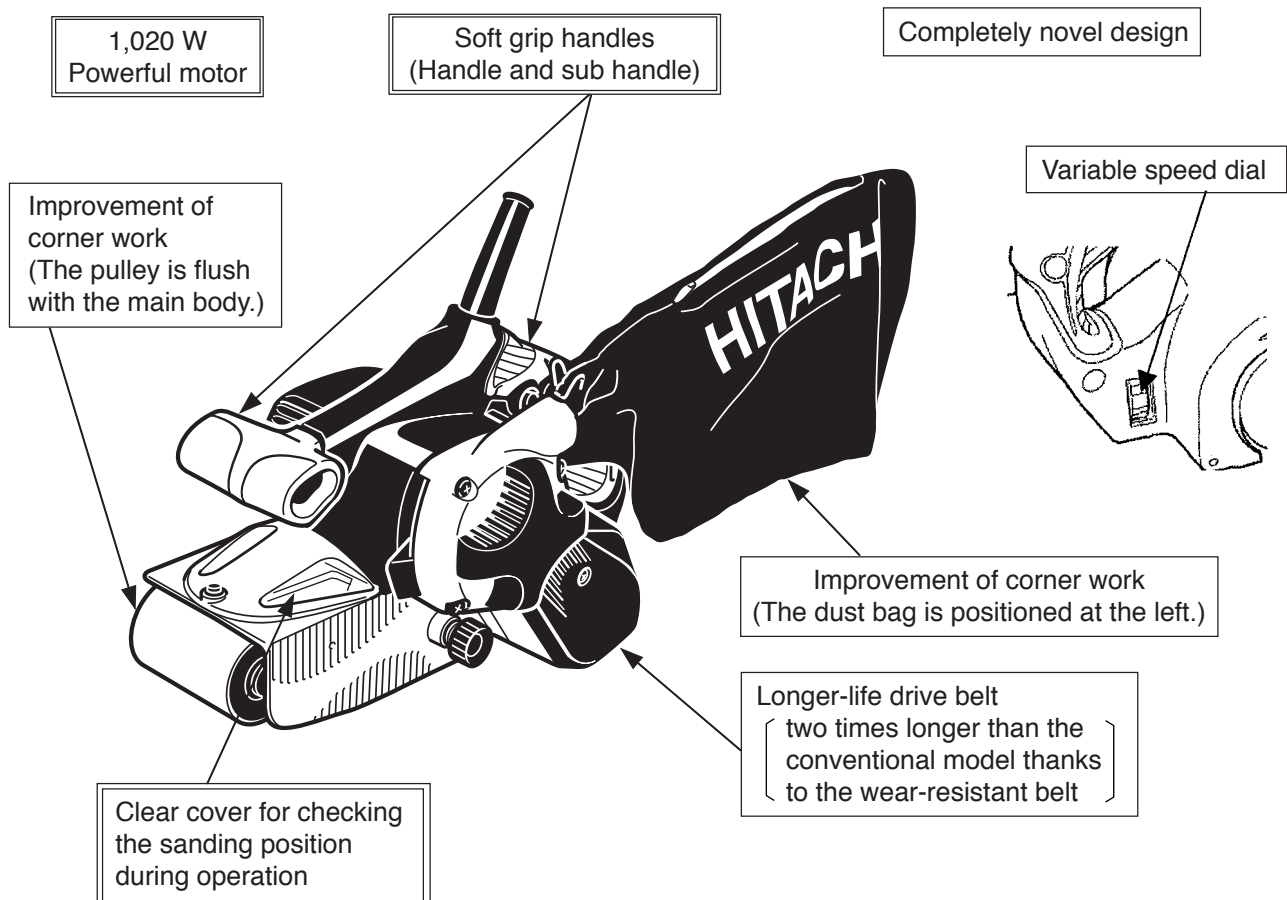
With the new Model SB 8V2, please expand the sales of our belt sander series.

3. APPLICATIONS

[For construction working, inside working, sign painting, wood working, furniture making, etc.]

- Sanding wood and steel materials
- Removing old paint
- Preliminary sanding before painting

4. SELLING POINTS



Model SB 8V2

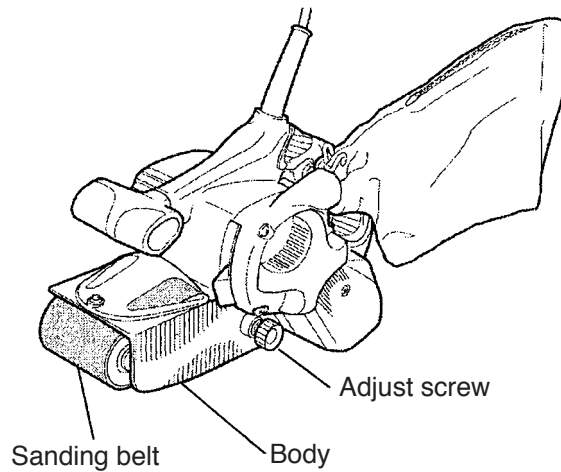
4-1. Selling Point Descriptions

(1) Soft grip handles

The handle and the sub handle have a soft grip each. The Model SB 8V2 is easier to operate than the conventional model and competitors.

(2) Clear cover

The Model SB 8V2 is equipped with a clear cover at the top of the body. The sanding belt can be visually checked through the clear cover during operation.



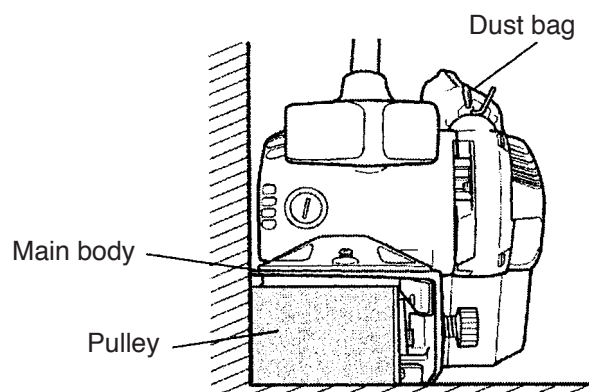
(3) 1,020 W powerful motor

The Model SB 8V2 is suitable for heavy-duty operation thanks to the higher-power motor.

Model name		SB 8V2	SB 75	MAKITA 9903	DEWALT DW433
Power input	(W)	1,020	950	1,010	800

(4) Improvement of corner work

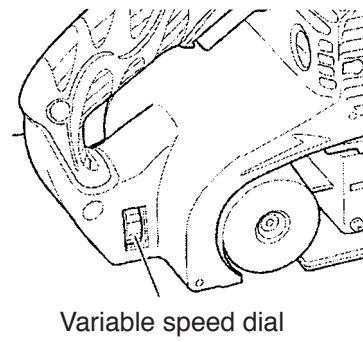
Corner sanding can be done more efficiently because the dust bag is positioned at the left of the Model SB 8V2 and the pulley is flush with the main body.



(5) Variable speed dial

The Model SB 8V2 is equipped with a variable speed dial for adjusting to the desired speed depending on applications and workpieces.

〔 Dial "1" ... Minimum speed 〕
〔 Dial "5" ... Maximum speed 〕



(6) Improvement of drive belt lifetime

The service life of the Model SB 8V2 is two times longer than the conventional Model SB 75 thanks to the wear-resistant drive belt.

5. SPECIFICATIONS

Model	SB 8V2			
Capacity	76 mm (3")			
Power source	AC single phase 50 or 60 Hz			
Type of motor	Single-phase series commutator motor			
Voltage and current	Voltage (V)		Current	
	110		9.8	
	120		9.0	
	220		4.9	
	230		4.7	
	240		4.5	
Power input	1,020 W			
No-load belt speed	250 to 450 m/min. (820 to 1,475 ft/min.)			
Enclosure	Housing		Polycarbonate resin + Elastomer	
	Handle cover		Polycarbonate resin + Elastomer	
	Body		Aluminum alloy diecasting	
	Dust cover		Aluminum alloy diecasting	
	Belt cover		Polycarbonate resin	
Type of switch	Trigger switch with stopper			
Weight	4.3 kg (9.5 lbs.)			
Packing	Corrugated cardboard box			
Standard accessories	<input type="radio"/> Sanding belt (WA #80) 1 (*1) <input type="radio"/> Dust bag 1			
Optional accessories	<input type="radio"/> Sanding belt			
	Grit No.		Grain	
	30		AA	
	40		AA, WA	
	60		AA, WA	
	80		AA, WA	
	100		AA, WA	
120		AA, WA		

(*1): Depends on the market.

Ten sanding belts of one kind are contained in a package (optional accessory).

AA: Optimum for sanding ordinary steel, special steel, stainless steel, hardwood, bamboo and so on

WA: Optimum for sanding wood, particularly hardwood

6. SPECIFICATION COMPARISONS WITH SIMILAR PRODUCTS

			HITACHI		MAKITA	DEWALT
			SB 8V2	SB 75	9903	DW433
Capacity	Belt size	(mm)	76 x 533 (3" x 21")	76 x 533 (3" x 21")	76 x 533 (3" x 21")	76 x 533 (3" x 21")
	Speed control		Variable speed dial setting	2-speed slide switch	Variable speed dial setting	Variable speed dial setting
	Belt speed	(m/min) (ft/min)	250 – 450 (820 – 1,475)	360 – 450 (1,180 – 1,475)	210 – 440 (690 – 1,440)	259 – 427 (850 – 1,400)
Weight		(kg)	4.3 (9.5 lbs.)	4.4 (9.7 lbs.)	4.3 (9.5 lbs.)	5.6 (12 lbs.)
Power input		(W)	1,020	950	1,010	800
Dust bag position			Left	Right	Left	Left
Dust collection rate (*2)		(%)	81	80	81	50
Sanding amount (10 min.)		(g)	225 (0.10 lbs.)	260 (0.12 lbs.)	225 (0.10 lbs.)	220 (0.10 lbs.)
No-load noise		(dB)	87	94	85	84
Type of belt			Poly V belt (wear-resistant)	Poly V belt	—	—
Soft grip	Handle		○	×	×	○
	Sub handle		○	○	×	×
Clear cover			○	×	×	×
Width		(mm)	171 (6-3/4")	183 (7-7/32")	145 (5-23/32")	155 (6-3/32")
Standard accessories			○ Dust bag ... 1 ○ Sanding belt	○ Dust bag ... 1 ○ Sanding belt	○ Dust bag ... 1 ○ Sanding belt	○ Dust bag ... 1 ○ Sanding belt

(*2) Test conditions

Workpiece: Luan

Applied load: Tool weight + 3 kg

Belt speed: Maximum

Sanding paper: WA#80

Sanding time: 5 minutes

7. PRECAUTIONS IN SALES PROMOTION

In the interest of promoting the safest and most efficient use of the Model SB 8V2 Belt Sander by all of our customers, it is very important that at the time of sale the salesperson carefully ensures that the buyer seriously recognizes the importance of the contents of the Handling Instructions, and fully understands the meaning of the precautions listed on the caution plate attached to each tool.

7-1. Handling Instructions

Although every effort is made in each step of design, manufacture and inspection to provide protection against safety hazards, the dangers inherent in the use of any electric tool cannot be completely eliminated. Accordingly, general precautions and suggestions for the use of the belt sander are listed in the Handling Instructions to enhance the safe, efficient use of the tool by the customer. Salespersons must be thoroughly familiar with the contents of the Handling Instructions to be able to offer appropriate guidance to the customer during sales promotion.

7-2. Precautions on Caution Plate

Each Model SB 8V2 is provided with a caution plate which lists basic safety precautions (illustrated below) in its use. Carefully ensure that the customer fully understands and follows these precautions before using the tool.

(1) For the U.S.A. and Canada

-WARNING-
●To reduce the risk of injury, user must read and understand instruction manual. **Made in Malaysia**
AVERTISSEMENT
●Afin de réduire le risque de blessures, l'utilisateur doit lire et bien comprendre le mode d'emploi.

(2) For Australia, New Zealand, Asia and South Africa

CAUTION
●Read thoroughly **HANDLING INSTRUCTIONS** before use.

(3) For Taiwan

注意
●使用前請詳讀使用說明書 **Made in Malaysia**
進口商：明峯永業股份有限公司 (02)2556-6633
地址：台北市延平北路1段35號

(3) For China

日立工机(马来西亚) 马来西亚柔佛州士乃
注意：使用前请仔细阅读使用说明书

