



HRU2 - Solid Doors

On the inside, a modern professional refrigerator with the latest energy-efficient features and perfect temperature control. On the outside, vintage retro styling that makes a striking focal point of any bar or kitchen. It's cutting edge technology perfectly combined with classic vintage looks.

Like every Precision product, the Retro range boasts a host of features that are either aesthetically stunning, hugely practical, or both.

We've made the steel exterior even more durable and practical by giving it a clear, easy to wipe-clean coating. It makes those dirty fingerprints almost non-existent. Alternatively, give us a RAL number and we'll paint your retro refrigerator to match any colour you can dream of.

Key Features:

Stainless Steel Interior & Painted Steel Exterior

Bottom Mounted Refrigeration System Designed To Work In 43°C Ambient

Built-In Air Rear Duct For Even Temperature Distribution

R134a Refrigerant - Refrigerator

Zero ODP Injected Polyurethane Insulation - 60mm

1 / +4°C Refrigerator Temperature Range

Electronic Controller With LED Display Discreetly Positioned Inside The Cabinet For Ease Of Access

Automatic Defrost

Rifle Bore Coated Evaporators

Retro Styled Ultra Heavy Duty Chrome Handles & Hinges

LED Interior Lighting

Adjustable Perforated Stainless Steel Shelves - 2 Per Door

Hi / Lo Audio Visual Temperature Alarms

Condensing Unit Safety System To Protect Compressor From Blocked Condensers

Heavy Duty Brake & Swivel Castors Covered By Colour Coded Covers To Imitate Legs



Glass Doors



Ribbed Glass Option



Retro Handles

Options:

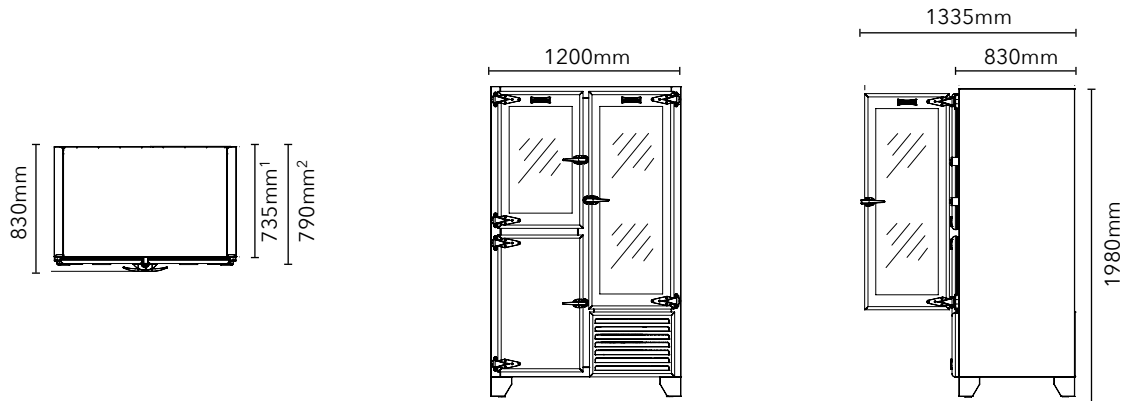
Glass Doors - Clear Glass

Glass Doors - Ribbed Glass

Freezer Compartment In Bottom Left Section

Exterior Painted To Any RAL Colour

Meat Hanging Rail



Model	HRU2	HLRU2
Type	Refrigerator	Refrigerator / Freezer
Material	ST/ST Int/ Painted Steel Ext	ST/ST Int/ Painted Steel Ext
Shelf Size	572x525	572x525 & 572x475
Number of Shelves	6	6
Temperature Range	1/4°C	1/4°C & -18/-22°C
Exterior WxDxH (mm)	1200x830x1980	1200x830x1980
Net Usable Volume (litres)	814	797
Weight (KG)	200	215
Refrigerant / GWP	R134a / 1430	R134a/1430 & R404A/3922
Refrigeration Watts (+45°C Condensing)	632	632 /236
Evaporating Temp	-10°C	-10°C / -30°C
Heat Rejection Watts	948	948 / 354
Noise Output (dBa)	58	77
Power	230 / 50 / 1	230 / 50 / 1
Running Current	3.2	4.8
Energy Consumption / 24hrs - kWh*	3.68	N/A
Energy Consumption / Year (AEC) - kWh*	1343	N/A
Energy Efficiency Class*	D	N/A

*Tested to prEN16825 Ecodesign Climate Test Class 4 - M1 Classification Test for Refrigerators / L1 Classification Test for Freezers

We are constantly innovating and improving our products. Please always check our website for the most up-to-date version of this spec sheet

¹ Cabinet shell depth without doors - ² Depth including doors & hinges but not handles