

FAIRBANKS[®]

ΩMEGA COUNTING SCALE

• PARTS COUNTING • ACCUMULATION • KITTING • GENERAL WEIGHING

Cost-effective,
high-performance
scale for infinite
counting apps!



Visit our world today: Fairbanks.com



ΩMEGA COUNTING SCALE

1,000,000 Internal Counts
Bar Code Scanning

One, two, three, four...still counting parts by hand? Why? Eliminate this mind-numbing task, greatly reduce material handling time and increase accuracy with the Omega Counting Scale. Designed for warehousing and light manufacturing applications, this scale will deliver reliable, easy and fast counting

functions sure to increase efficiency and reduce overhead. The Omega's ability to store hundreds of parts in memory (PLU) further reduces time spent counting. Parts warehouses and production companies will find the Omega an invaluable tool for accurately maintaining inventories of small or large components.

Features

- Internal resolution of 1,000,000 counts
- Displayed resolution 30,000d
- Auto-resampling
- Four sampling methods
- Simultaneous weight display — weight, pieces, piece weight
- Net/Gross weight display
- Two RS232 outputs
- AC and/or lead acid rechargeable battery
- Auto sleep timer
- 999 parts look up (PLU)
- Remote scale interface (standard)
- Hi/Lo weighing and parts counting
- Audible beep operation
- 36 button keypad
- Accumulation — weight and piece count
- Bar code reader (tare, PLU and piece weight) sold separately
- User-selectable printing (bar code printing optional)
- Time and date

Applications

Weighing, counting, checkweighing, checkcounting or kitting, the Omega Counting Scale is a cost-effective, high-performance scale designed for a full-range of weighing applications.

The Omega's large, stainless steel platform can easily accommodate most product storage bins. This scale is ideal for quarterly/semiannual inventories and parts counting applications.

• GENERAL WEIGHING



• ACCUMULATION



• KITTING



• COUNTING

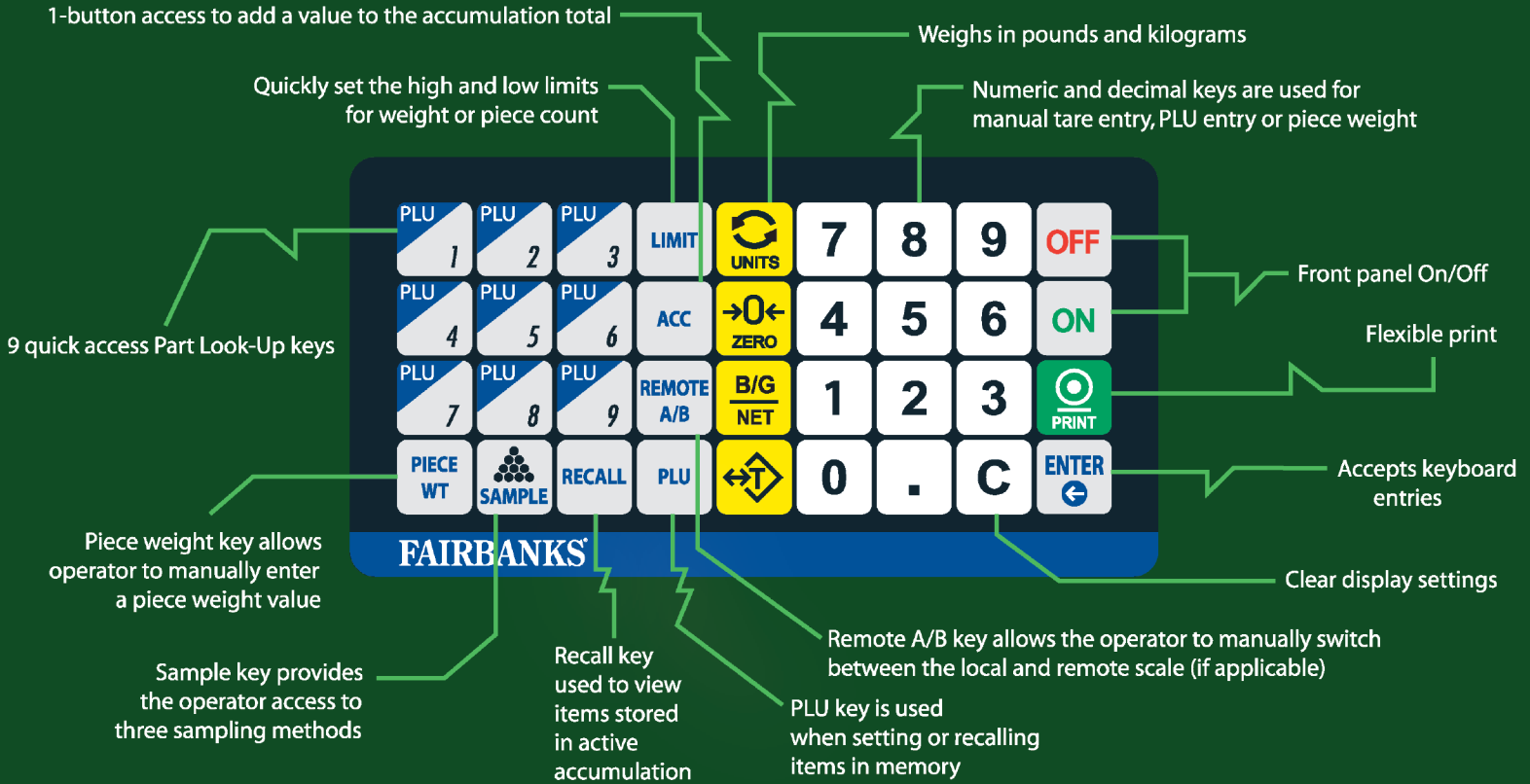


Remote Scale Interface
Stainless Steel Weigh Pan

Internal Life-Long Battery
Automatically Minimizes Errors

www.fairbanks.com

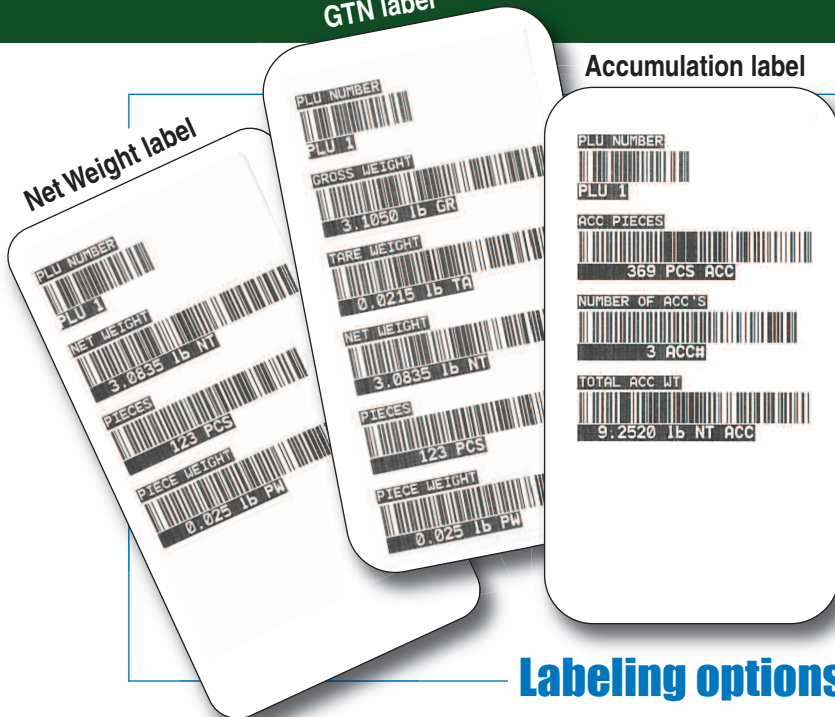
Functions 36-button Keypad makes operations quick and easy — No toggling required!



GTN label

Accumulation label

Net Weight label



The 2844 Bar Code Label Printer offers seamless labeling output when used with Fairbanks' Omega Counting Scale. Fairbanks has created three of the most popular bar code label templates for easy upload to the 2844. These include a Net Weight label, GTN label and Accumulation label. If using other printers, simply select the label data you need via the Omega's advanced functions.



2844 Printer

Labeling options

FAIRBANKS®

ΩMEGA

COUNTING SCALE

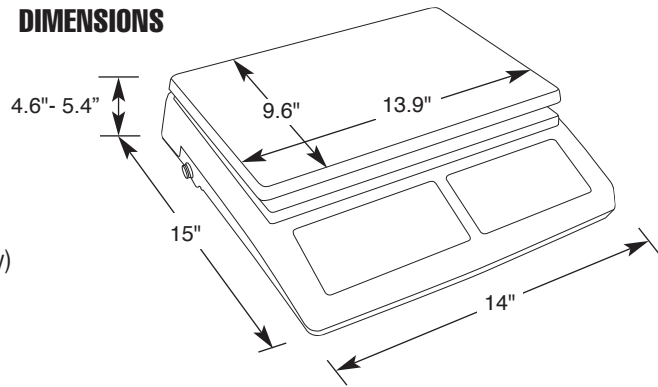


SPECIFICATIONS

- Capacities 6, 15, 30, 60, 100 lbs
- Displayed resolution 30,000d (100 lb = 50,000d)
- Units Pounds and kilograms/grams
- Display
 - Type Backlit LCD
 - Character height 0.57" tall,
 - Lines (3) Weight - 6 characters;
Piece weight - 7 characters;
Pieces - 7 characters
- Internal resolution 1,000,000
- Operating temperature 32° F to 104° F
- Relative humidity < 85%
- Memory 999 items
- Remote scale interface Four 350 ohm load cells, 2 mV/V max
- Interface Serial 1 RS232 for printer, computer
or remote display;
Serial 2 RS232 for bar code reader only
- Power AC adapter
 - Input - 120 VAC 60 Hz 0.15A
 - Output - 9 VAC 500 mA
- Battery Built-in rechargeable, 6V lead acid
- Battery life 15 to 20 hours continuous (local platform only)
- Battery recharge time 14 to 16 hours
- Approval UL

The Omega's backlit LCD display is extremely easy to see in low or bright light conditions. The display also features programmable settings that conserve power consumption, increasing the lifespan of the scale's internal rechargeable battery.

DIMENSIONS



ACCESSORIES



Call toll-free for the representative nearest you:

(800) 451-4107

Call between 8:00 a.m. – 5:00 p.m. Central Time

Corporate Offices: 821 Locust • Kansas City, MO 64106 • (816) 471-0231

www.Fairbanks.com

Models and specifications subject to change without notice. © Fairbanks Scales Inc.

