

# FAIRBANKS®

## S C A L E S



## FB2250 SERIES

### INSTRUMENT FOR INDUSTRIAL SCALES

Versatile family of industrial instruments, available in various enclosure types including IP69K or NEMA 4X stainless steel desktop, NEMA 4X stainless panel mount, and desktop ABS.



# FB2250 SERIES

## INDUSTRIAL INSTRUMENT

DESIGNED  
A VARIETY OF  
IN DRY A  
INDUSTRIA

Bright green,



The FB2250 NEMA 4X stainless steel enclosure meets general food and other industrial washdown requirements.



Fairbanks' FB2250 IP69K Instrument has the highest ingress protection rating available for food processing, chemical or any application with heavy washdown needs.

Fairbanks' FB2250 Series Digital Instrument is a reliable choice for any industrial weighing application, from warehousing to general food processing. For batching and filling operations, system integration is easy — simply add a fieldbus accessory, such as Profibus, Ethernet or DeviceNet. The FB2250 is also designed for convenient wireless operation with the aid of optional Bluetooth® wireless technology accessories.

### Enclosure Types

- 304 Stainless Steel with IP69K rating.
- 304 Stainless Steel with NEMA 4X rating.
- 304 Stainless Steel Panel Mount - NEMA 4X.
- ABS Plastic (heat, impact and chemical resistant.)

### Instrument Accessories

**BATTERY POWER** Five (5) "D" cell battery pack available for 304 Stainless NEMA 4X and ABS models.

**Bluetooth®** Enables wireless communications between the FB2250 and other serial devices, such as printers and PCs.

**4-20 mA MODULE** The 4-20 mA Module provides an analog input for PLCs, data loggers or other controllers.

**FIELDBUS INTERFACES** Fairbanks offers popular fieldbus interfaces, such as DeviceNet, Profibus, Ethernet/IP and Ethernet TCP to connect the FB2250 Instrument to PLCs or PCs.

The Bluetooth® word mark and logos are owned by the Bluetooth® SIG, Inc. and any use of such marks by Fairbanks Scales is under license. Other trademarks and trade names are those of their respective owners.



External DB9 output on ABS model



SS Battery Power Pack



ABS Battery Power Pack

### Function Key Features

- 1 UNITS** — Five selectable units (lb, kg, oz, g, lb-oz) and one programmable custom unit. Units key also used with piece count and accumulation features.
- 2 ZERO** — Quickly zero off weight on the scale.
- 3 B/G / NET** — One-push selection from Gross weight to Net weight. Also used during accumulation and piece count operations and to set sleep timer.

TO WORK WITH  
WEIGHING DEVICES  
AND WASHDOWN  
APPLICATIONS.



# FAIRBANKS<sup>®</sup> S C A L E S

backlit and selectable

1.0" tall LCD

Polyblend overlay

Made in the USA

C = CENTER OF ZERO

2250

NET lb g kg oz



1

2

3

4

5

6

Stainless steel  
swivel bracket  
(included with  
all models)



4 **ON/OFF** — One touch to power instrument up or down.

5 **TARE** — Deducts container weight from the total weight.

6 **PRINT** — Custom or standard print formats. This key is also used to set clock format, time and date, and during Peak Hold operations.

## FB2250 CUSTOMIZATION

FB2250 Series Instruments can be customized to meet your specific operational needs.

### CUSTOM TICKET FORMAT

A distinct ticket format can be configured to allow the FB2250 to print information that meets your requirements.

### CUSTOM UNITS

Many applications are unique and require a unique unit of measure. The FB2250 can accommodate these needs with this feature.

### PROGRAMMABLE RS232 OUTPUT

The FB2250 RS232 Output can be configured to provide serial data in a customer specified format.

### MULTI-POINT CALIBRATION

The FB2250's Multi-point Calibration function helps eliminate various linearity problems associated with platforms and tank applications.

## ADVANCED FUNCTIONS

ADD 5

*Easy-to-use piece counting function.*

## PIECE COUNTING

The FB2250 has a standard piece counting feature that turns any scale into a basic counting scale. This feature minimizes the time it takes to count parts. See sample display above.

## ACCUMULATION

This feature allows users to continuously store individual weight reading and count/total the readings whenever desired. It also minimizes or eliminates the time-consuming task of manually tracking weight.

## STRESS TESTING

Certain manufacturers are required to *stress test* products. The FB2250 is designed to easily accomplish this task. The unit captures the highest (or peak) weight reading and stores it. The printable reading remains stored until it is manually cleared or a higher peak weight is captured by the indicator.

Also known as Peak Hold, this feature provides stress test analysis that is required for ISO documentation.

# FB2250 SERIES

## INSTRUMENT FOR INDUSTRIAL SCALES

Weighing Solutions for the World Since 1830

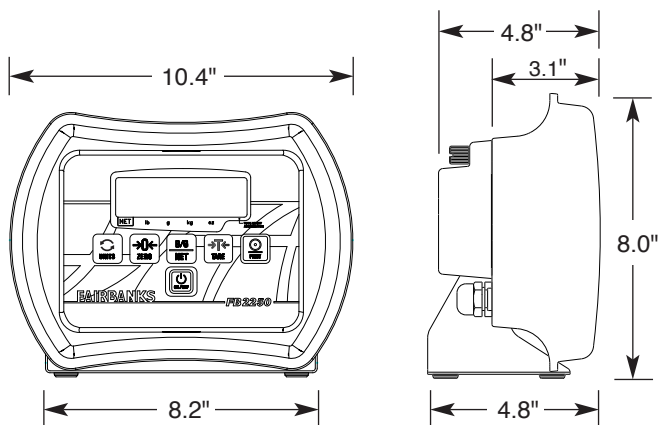
Fairbanks.com

### SPECIFICATIONS

Display	1.0" high, 6-digit, green backlit LCD
Enclosure	Black ABS plastic, NEMA 1 rated; Stainless steel, NEMA 4X rated; Stainless steel, IP69K rated; Stainless steel, Panel Mount
Pushbutton Keys	Zero, Print, Units, Tare, On/Off, B/G Net
Units	lb, kg, oz, g, lb-oz or custom
Capacity	Selectable 0 to 999,999
Graduation Size	0.0001 to 50
Load Cells	Up to eight 350Ω cells or 16 1000Ω cells
Power Requirements	Choice of AC or AC/DC (requires 5 "D" cell batteries); AC only on IP69K model
Battery life (backlight enabled)	One 350Ω load cell - 58 hours, Four 350Ω load cells - 33 hours
Mounting	Desk / Wall mount stand (all models)
Output	COM1 (standard): RS232, RS422, RS485 COM2 (standard): RS232, RS422, RS485 and 20 mA; External DB9 on ABS model
Remote switch inputs	Print, Tare, Gross/Net, Units, Zero
Accessories	Bluetooth® wireless technology, 4-20 mA module, Profibus, Ethernet/IP, Ethernet TCP, DeviceNet
Approvals	NTEP CC# 09-023, MC #AM-5720, ETL

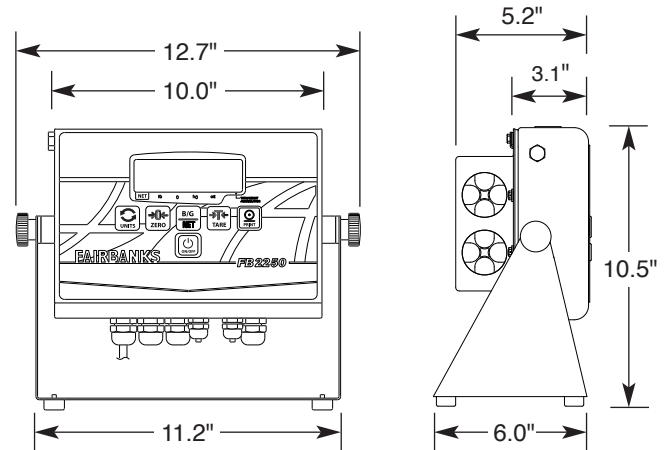
### ABS PLASTIC ENCLOSURE

(Stainless steel bracket included — Battery power optional)



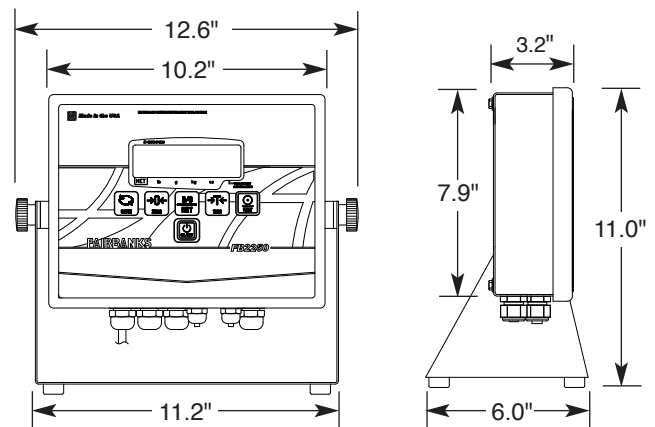
### NEMA 4X STAINLESS STEEL ENCLOSURE

(Stainless steel bracket included — Battery power optional)



### IP69K STAINLESS STEEL ENCLOSURE

(Stainless steel bracket included — AC power only)



### PANEL MOUNT STAINLESS STEEL ENCLOSURE

Front panel dimensions: height 11", width 13.2", depth 3.2"

Your Fairbanks Scales Authorized Representative is:

Call toll-free for the representative nearest you:

**(800) 451-4107**

Call between 8:00 a.m. – 5:00 p.m. Central Time

Corporate Offices: 821 Locust • Kansas City, MO 64106 • (816) 471-0231

Internet Address: <http://www.Fairbanks.com>

