

# FAIRBANKS<sup>®</sup>

## S C A L E S



## FB6000 SERIES

INTALOGIX<sup>®</sup> INSTRUMENTS — MODELS 6011, 6012, 6013

High performance, user-friendly digital instruments  
for vehicle weighing applications.

[Fairbanks.com](http://Fairbanks.com)

# FB6000 SERIES

INTALOGIX® INSTRUMENTS — MODELS 6011, 6012, 6013

Powerful digital solution for legal-for-trade, inbound/outbound weighing applications.

Your vehicle scale is an essential and critical component of your daily business operations. Weighing equipment that is flexible, reliable and durable is not a luxury, it is a requirement.

For more than 180 years, Fairbanks Scales has led the vehicle weighing industry with products that fit customer application needs —

needs like yours. The FB6000 Series Instrument carries this tradition forward as the dependable weighing solution for your operation.

The FB6000 features three modes of operation, three enclosure styles, built-in traffic controls, multiple communication ports and transaction export functions to meet your application requirements.

## Washdown Desktop/Wall Mount Enclosure



## Panel Mount Enclosure



Stainless steel and powder coated NEMA 12 enclosure

Bright red, 16-segment LED with adjustable intensity

Raised keys provide tactile feedback and audible notification when pressed.

## Desktop Enclosure



5

6

7

1

2

3

4

Front panel navigation keys

Full numeric keypad with oversized keys

## Intalogix® Technology Innovation at its best

Intalogix® Technology is a unique method of digital load cell communication that works by converting a weak analog load cell signal to a stronger, more reliable digital interface. Regardless of the nature of your application, Intalogix®

Technology allows you to operate with an unsurpassed degree of resolution and accuracy. No other technology on today's market comes close to achieving the digital advantages and lightning/surge protection of Intalogix®.

## Function Key Features *(See callouts above)*

**1 UNITS** — Four selectable units of measure:

- Pounds
- Kilograms
- Tons
- Tonnes

**2 B/G / NET** — One-push selection from Gross weight to Net weight.

**3 ZERO** — Quickly “zero off” weight on the scale.

**4 PRINT** — Initiates basic print function.

**5 TRAFFIC LIGHT CONTROLS** — Complete manual traffic light control at the touch of a key.

**6 TARE** — Use to accept the displayed weight as the transaction Tare value.

**7 IN / OUT** — Use to obtain the Net weight of an incoming/outgoing vehicle by capturing its Gross and Tare values.





With Fairbanks' FB6000 Instruments, you don't have to pay for expensive features that are not applicable to your business. Fairbanks has taken the essential instrument functions used in sophisticated, high-traffic vehicle weighing and packaged it into economical, yet attractive steel enclosures perfect for office, industrial or washdown environments.

FB6000 Instruments transmit weight data through a serial connection to a personal computer for scale software interfacing, or transfer .csv

transaction files directly to a USB flash drive.

FB6000 Instruments are smart enough to identify and match inbound and outbound vehicles, store up to 1000 tare weights, and capture truck identification. They also integrate with all manufacturers' analog scales and popular traffic light controls. These, and many other exciting features, make FB6000 Instruments the perfect economical choice to replace an old or failed analog instrument, or create a new basic weighing system.

## Standard Features

- Bright red, 16-segment, LED display
- Transaction export (CSV) functions
- Gross - Tare - Net weigh mode
- Inbound / Outbound weigh mode
- One programmable prompt
- Front panel traffic control

## Accessory Interfaces

**ACC 1**  
Internal Active or  
Passive 20 mA Interface

**ACC 2**  
High resolution 4-20 mA or  
Traffic light interface card

**ACC 3**  
Remote switch controls four internal inputs:  
• Zero • Print • Units • Gross / Net

*All three FB6000 enclosure styles feature the interfaces and ports shown on the desktop model.*

**Power port**



**Serial**

Three (3) dedicated RS232C ports for connecting to computers, printers and other serial devices.

## Approvals



**Ethernet TCP/IP**

One (1) Ethernet TCP/IP port for providing continuous weight data and access to the instrument using the web utility.

**USB**

Three (3) standard USB 2.0 ports are available for connecting a USB keyboard and USB flash drives for data transport.

## Modes of Operation

### Gross - Tare - Net Mode (GTN)

GTN mode allows the scale operator to process weighments with or without the use of a keyboard-entered Tare or Autotare by simply pressing the PRINT key.

### Inbound / Outbound Mode (In/Out)

This mode allows the Operator to weigh a vehicle "In" and temporarily store the transaction using a Loop ID (numeric only). When the vehicle returns to the scale to exit the facility, simply press the "Out" key to recall the Inbound weighment and complete the transaction with Gross, Tare and Net values. In/Out mode supports up to 1000 stored Tares.

### Basic In / Out Mode (1 button weighing)

This Basic In/Out mode is designed for applications in which no calculated NET weight is desired. After entering the scale, a loaded vehicle's weight is captured by pressing the GROSS PRINT button — an empty vehicle is captured by pressing the TARE PRINT button.

# FB6000 SERIES

INTALOGIX® INSTRUMENTS — MODELS 6011, 6012, 6013

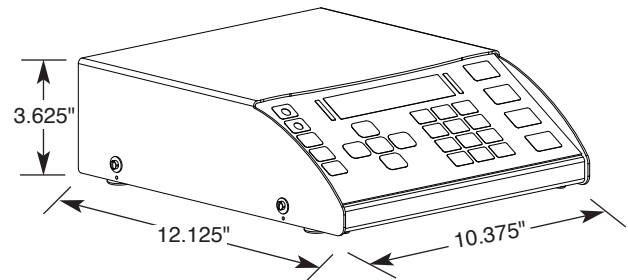
Weighing Solutions for the World Since 1830

Fairbanks.com

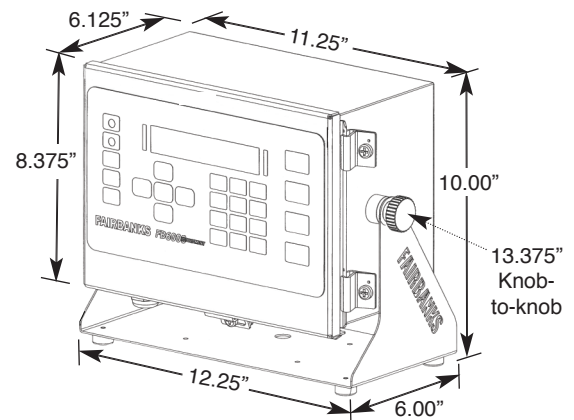
## SPECIFICATIONS

- Enclosures . . . . . Model FB6011- Desktop - Stainless steel and powder coated steel, NEMA 12  
Model FB6012 - Desktop/Wall mount - Stainless steel, NEMA 4X  
Model FB6013 - Panel mount - Stainless steel and powder coated steel, NEMA 4X
- Processor . . . . . 1 GHz Quad Core
- Memory . . . . . 1 GB
- On-board storage . . . . . 2.4 GB
- Number of scales . . . . . 1
- Display . . . . . Bright red, 16-segment, LED with adjustable intensity
- Units . . . . . lb, kg, ton and tonne
- Keypad . . . . . Oversized keys: 0-9, Decimal point, Enter, 9 control keys
- Load cells . . . . . Ten 350 ohm cells, 16 1000 ohm cells
- Outputs . . . . . Three (3) RS232C ports, Three (3) USB 2.0 ports, One (1) dedicated optically isolated 20mA One (1) RJ45 Ethernet TCP/IP
- Remote switch inputs . . . . . Zero, Print, Units and Gross/Net
- Power requirements . . . . . 100 to 130 VAC or 200 to 260 VAC; 50/60 Hz
- Clock . . . . . Real time clock, 12-hour a.m./p.m., Date (month/day/year)
- Displayed characters . . . . . 0.80" tall
- Display resolution . . . . . 10,000 divisions commercial, 50,000 divisions for non-commercial
- Capacity . . . . . Programmable to 999,999
- Displayed units . . . . . 4 primary and 4 secondary
- Programmable fields . . . . . 1
- Stored tares . . . . . 1,000
- Transaction records . . . . . 100,000
- Humidity . . . . . 0 to 90% (FB6011)  
0 to 100% (FB6012 and FB6013 enclosures)
- Accuracy . . . . . Class III/IIIL
- Accessories . . . . . 4-20 mA (passive, 16 bit), Traffic light control card, Peripheral devices:  
Ticket printer, tape printer, remote displays, traffic light, traffic light control box, 105 key QWERTY keyboard, 87 key QWERTY keyboard
- Approvals . . . . . NTEP CC# 12-099, MC# AM-5878, ETL

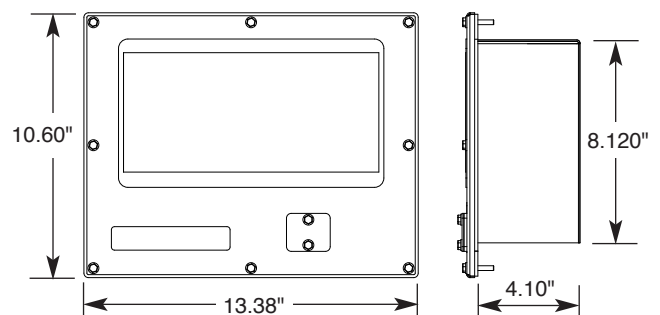
## DIMENSIONS - FB6011 - DESKTOP



## DIMENSIONS - FB6012 - WASHDOWN



## DIMENSIONS - FB6013 - PANEL MOUNT



Your Fairbanks Scales Authorized Representative is:

Call toll-free for the representative nearest you:

**(800) 451-4107**

Call between 8:00 a.m. – 5:00 p.m. Central Time

Corporate Offices: 821 Locust • Kansas City, MO 64106 • (816) 471-0231

Internet Address: <http://www.Fairbanks.com>



St. Johnsburys manufacturing facility registered in compliance with ISO 9001.

