



## T503W IMPACT INDICATOR

### OVER 95 YEARS OF COMBINED EXPERIENCE MANUFACTURING INDUSTRIAL WEIGHING EQUIPMENT

The T503W IMPACT combines innovation in industrial design and engineering excellence to create an instrument that is ideal for use in food processing, automotive, chemical or pharmaceutical applications or applications that require reliable operation in harsh environmental conditions. The double O-ring sealed composite polyester alloy housing is impervious to water ingress with an IP96K rating, the industry's highest environmental protection rating. The capacitive touch keypad has no membrane switches to wear out. Three different color high intensity LEDs in the front panel work in conjunction with the built-in check weighing function. The unit also features a printer port, (1) contact input and (3) outputs.



## Features

- NTEP COC: 11-093
- Capacitive touch keys
- Programmable function key
- Large 0.8" LCD segments
- Configurable white LED backlit display
- Extremely durable (PBT) polyester alloy enclosure
- Waterproof, IP68 and IP69K rated enclosure
- 5V excitation - powers up to (4) 350 Ohm cells
- Built-in clock / calendar
- (1) duplex RS-232 serial port
- Parts counting mode
- Check weighing function with (3) color LEDs
- (1) input & (3) isolated outputs
- Simple menu navigation and configuration
- PC configurable from front panel with optical cable
- Configurable print format

RESOLUTION: Up to 30,000 divisions, minimum of 0.25mV/division

SPAN ADJUSTMENT: 0.1mV/V to 3.0mV/V full scale

DIGITAL FILTER: Sliding window average from 0.1 to 4.0 s

ZERO RANGE: Selectable from  $\pm 2\%$  to  $\pm 100\%$  full scale

POWER INPUT: AC power supply 110 / 240 VAC

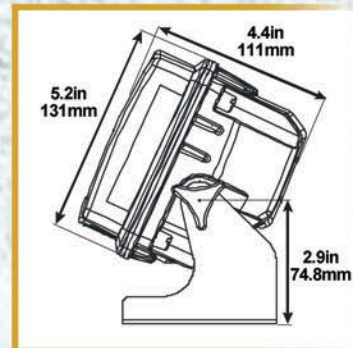
12 VDC internal NiMH rechargeable battery (optional)

INPUT/OUTPUTS: (3) isolated outputs (400mA at 12-24VDC)

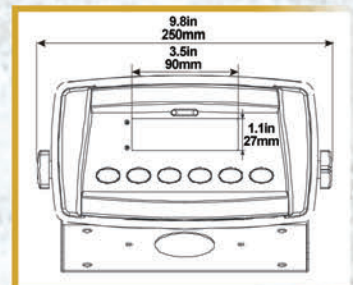
(1) contact input



IP69K Enclosure



Side view



Front view

**WWW.B-TEK.COM**

1510 METRIC AVE. SW

CANTON, OHIO 44706

PHONE NUMBER: 330.471.8900

TOLL FREE NUMBER: 800.266.8900

FAX NUMBER: 330.471.8909



Want more information?  
Simply Point and shoot your camera phone  
at this code to connect directly to our website.  
Need a code reader?  
Visit <http://www.b-tek.com/codereaders.aspx>