

ZM500 & ZM600
SERIES INDICATORS

Avery Weigh-Tronix



ZM
500 & 600 SERIES

Flexible, high performance
indicators for advanced
weighing tasks

Flexible weight indicator for advanced applications

Responsive Performance

Avery Weigh-Tronix

The ZM505, ZM510, ZM605 and ZM615 are high performance, multi-function programmable indicators which adapt to complex weighing tasks. Suitable for use with a wide range of scales, these versatile indicators provide a fully configurable solution. Their sleek design and user-friendly features provide an ideal platform to create application programs and solutions that are specifically tailored to your business.

Built to fit your environment

These versatile indicators can adapt to desk, wall or column mount applications, with a panel mount version also available for incorporating into systems and panels.

IP69K Certification/GORE® Vent

The laboratory certified IP69K 304 brushed stainless steel desktop enclosure offers complete resistance to dust and water ingress, making them suitable for use in dusty, wet or high pressure, heavy washdown (food) and outdoor environments. GORE® Vent technology allows the indicator to breathe, preventing water ingress in situations where condensation might be present.



Easy to use interface and displays

The use of high definition, Improved Super Twisted Nematic (ISTN) or Improved Black Nematic (IBN) graphic display technology gives the weight displays excellent visibility and color contrast. With wide viewing angles, the ultra bright green and black dot matrix graphic display is easily visible in extreme working conditions and can be inverted for optimum viewing in brightly lit environments. Pixels can be organized on the displays to create personalized messages and images.

All models feature chemical resistant, metal domed keys which give the user crisp, positive tactile feedback when compressed. Assign commonly used weighing tasks to five programmable function keys below the display.



ZM505 – A nine segment numerical display is complemented by a small dot matrix graphic array area to the right of the screen, enabling use of status annunciators and limited graphics.



ZM510 – A dot matrix 320 x 80 display can be used to create personalized messages such as user prompts, images and status annunciators. (Inverted display colors shown). A large QWERTY keypad offers input flexibility where adding an external keyboard would be difficult, such as panel-mount applications.



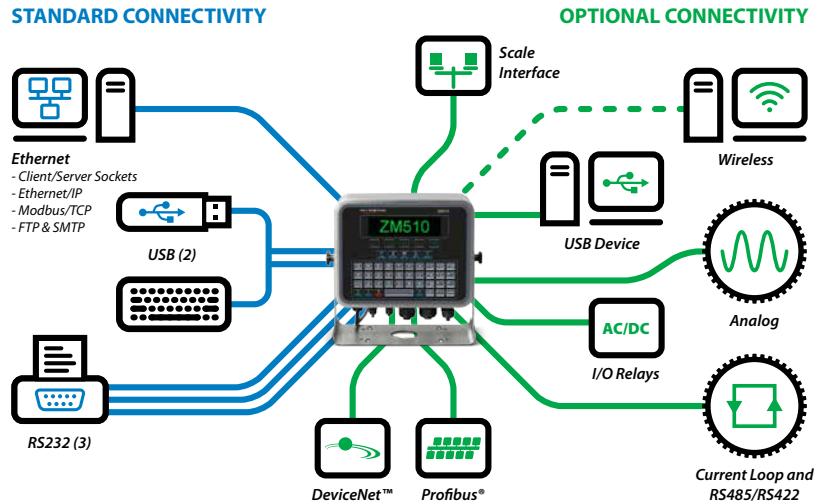
ZM605 – Pixels across the full length and height of the 320 x 80 display can be used to create personalized Human Machine Interface (HMI) messages such as user prompts, images and status annunciators.



ZM615 – The addition of a larger 320 x 160 display helps to improve usability. This large display provides an increased area to show more user prompts and graphics.

Versatile connectivity

All ZM series indicators offer multi-connectivity, ensuring compatibility and communication between old and new peripheral technologies. The standard Ethernet port can be configured to support multiple independent devices, including DHCP client/server and Ethernet sockets in addition to all serial protocols. Three RS232 serial interface ports are included, enabling data transfer to older equipment and connection to the Avery Weigh-Tronix BSQ digital bench base. Two USB host ports facilitate communication with printers or keyboards and data transfer via a USB storage device.



Option Kits

- › Analog output kit: 0-5 VDC, 0-10 VDC and 4-20 mA
- › Current loop kit: Current loop and RS232/RS422
- › USB device kit: Provides USB interface to PC (Virtual COM Port)
- › Device Net™
- › Profibus®
- › Wireless (Ethernet) internal kit: 802.11b/g wireless data communications kit with antenna
- › Internal 120 VAC Relay module for IP69K model
- › Scale Input 5 VDC excitation
- › Scale Input 10 VDC excitation with STVS kit
- › External I/O interface kit
- › DC Output, 4 relays 3-60VDC at 2A Kit
- › DC Input, 4 Inputs 4-30VDC kit
- › AC Output, 4 relays 20-240VAC at 1A kit (IP69K models)
- › AC Input, 4 Inputs 120-240VAC kit (IP69K models)
- › Severe Transient Voltage Suppressor (STVS)

Approvals

Patent

- › US Patent 672,262

Agencies

- › NTEP (US) Class III/IIIL 10,000d (CC# 14-039)
- › Measurement Canada class III/III HD (AM-5955C)
- › UL/cUL
- › IP69K

Avery Weigh-Tronix

www.averyweigh-tronix.com

Avery Weigh-Tronix is an ITW company



Avery Weigh-Tronix is a trademark of the Illinois Tool Works group of companies whose ultimate parent company is Illinois Tool Works Inc ("Illinois Tool Works"). Copyright © 2017 Illinois Tool Works. All rights reserved. This publication is issued to provide outline information only and may not be regarded as a representation relating to the products or services concerned. This publication was correct at the time of going to print, however Avery Weigh-Tronix reserves the right to alter without notice the specification, design, price or conditions of supply of any product or service at any time.

zm500-zm600_Series_L_501654.indd (C&D)
V1 AWT35-501654