

oventrop

Uni FH, Wall-mounted non-electric thermostat
Part No. _____

Job Name: _____

Submitted by: _____

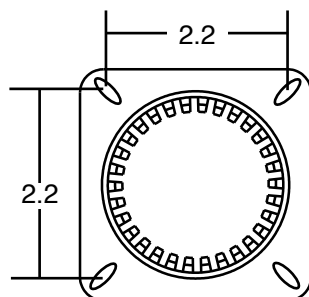
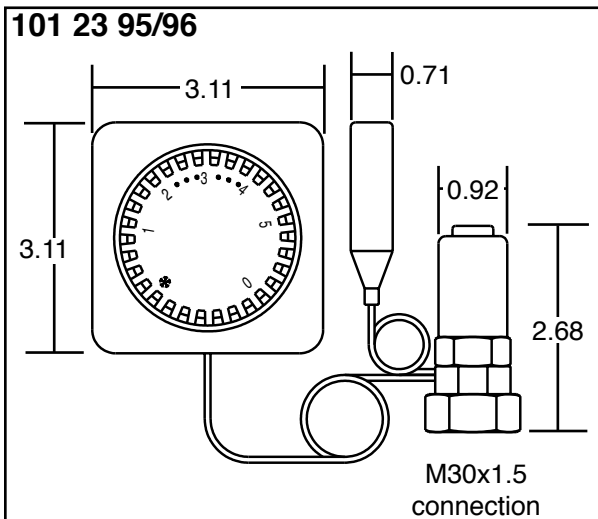
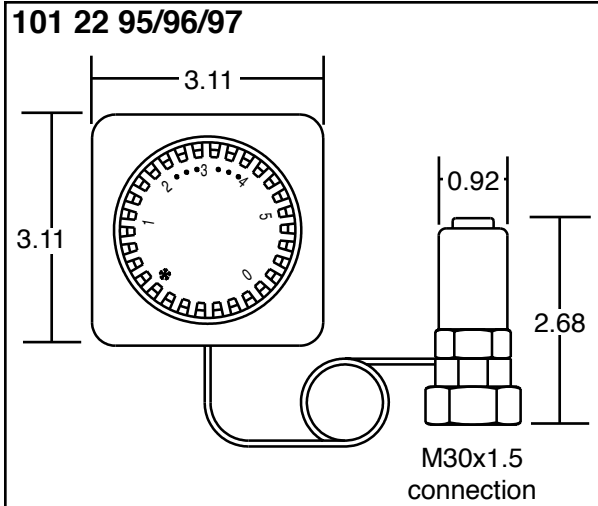
Date: _____

Job Location: _____

Engineer/Architect: _____

Approval: _____

Date: _____



Product specification:

OVENTROP-Thermostat with remote control
"Uni FH"

for the control of underfloor convectors or hidden radiators. To prevent unauthorized tampering, the setting of the thermostat can be either limited or locked for the desired temperature. The thermostat has a frost protection setting to allow for minimal flow through the radiator if the temperature in the room drops below 44°F.

Suitable for valves with connection thread M 30 x 1.5 as well as integrated distributors with connection thread M 30 x 1.5.

Temperature range 45-82°F (7°C - 28°C)

Graduation on cap 0 * 1-5

Temperature settings:

- 0 = radiator isolation
- * = Frost protection
- 1 = 12 °C or 54 °F
- 2 = 16 °C or 61 °F
- 3 = 20 °C or 68 °F
- 4 = 24 °C or 75 °F
- 5 = 28 °C or 82 °F

Material: Fiber reinforced Nylon

Connection: M30 x 1.5

white model

with '0' setting

capillary 6.5 ft long	101 22 95
capillary 16 ft long	101 22 96
capillary 33 ft long	101 22 97

as above but with additional remote sensor

capillary 6.5 ft long	101 23 95
capillary 16 ft long	101 23 96

Oventrop Corporation
PO Box 789
East Granby, CT 06026
Phone:(860)413-9173
www.oventrop-us.com



Temperature limiting and locking:

To prevent unauthorized tampering, the setting of the thermostat can be either limited or locked for the desired temperature.

Procedure to be used for limiting the maximum room temperature:

Remove the frame cover, then loosen the two screws which eventually will be used for securing the setting (see inset top). Set the graduated scale cap to the required number. Then remove one of the limiting pegs provided and insert it in a slot behind the graduated scale cap, directly to the right from the 'stop rib' (see inset bottom). Finally replace the frame cover.

The procedure for limiting the minimum room temperature is similar to the one described above, however the limiting peg must be inserted directly to the left of the 'stop rib'.

In order to lock the set temperature, insert the limiting pegs on both sides of the 'stop rib'.