

Job Name: _____

Submitted by: _____

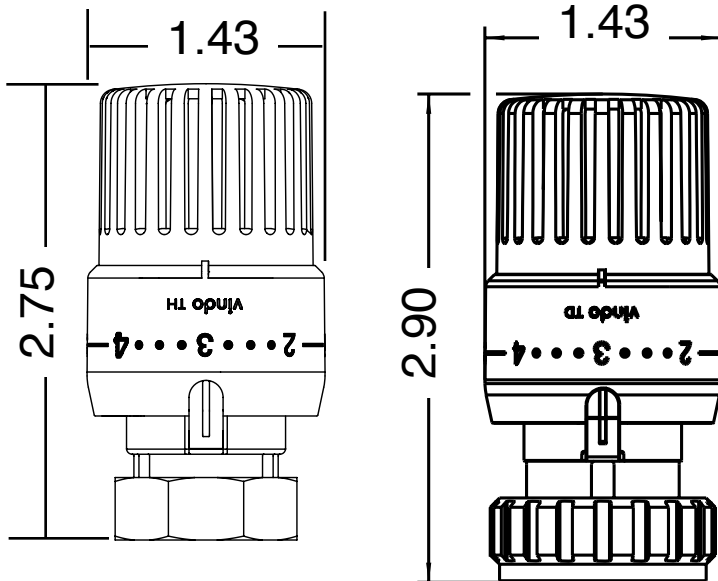
Date: _____

Job Location: _____

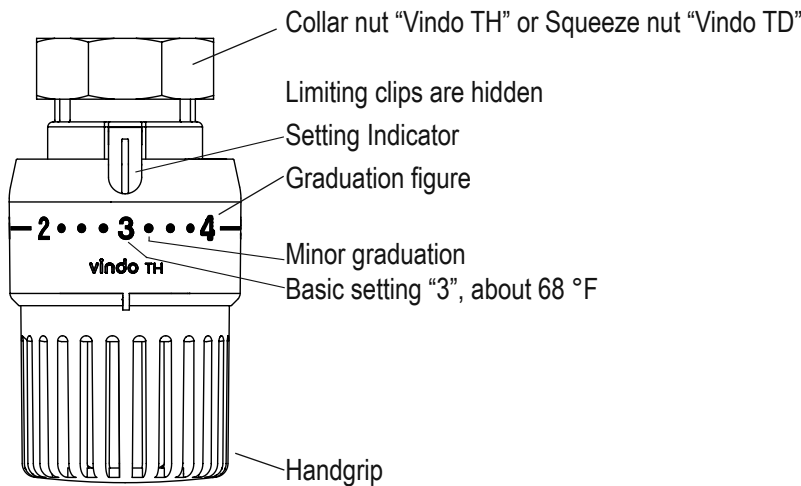
Engineer/Architect: _____

Approval: _____

Date: _____



Figures and symbols on the thermostat



Product specification:

Materials:
Fiber reinforced nylon

Specifications:
Adjustment range: 45°F - 82°F (7°C - 28°C)
Settings: 0 * 1 - 5
Sensor type: Liquid
Ambient temperature range: 32°F-122°F
Maximum fluid temperature: 248°F

Items:
Vindo TH
M30x1.5 connection 101 30 66
Vindo TD
with squeeze connection 101 30 76

Temperature Settings

0 = isolation of the radiator

* = Frost protection symbol (in this position the valve opens automatically when room temperature drops below 7°C or 44°F.)

1 = 12°C or 54°F

2 = 16°C or 61°F

3 = 20°C or 68°F

4 = 24°C or 75°F

5 = 28°C or 82°F

} The minor graduations between the figures 2 – 4 represent a change of room temperature of 1°C or about 2°F.

Oventrop Corporation
PO Box 789
East Granby, CT 06026
Phone:(860)413-9173
www.oventrop-us.com