

Product Specification

Function:

The Oventrop pressure independent control valve "Cocon Q" maintains a valve authority of 100% and the desired flow over a wide range of differential pressures. The "Cocon Q" is ideal for variable flow applications and makes selection and commissioning easy. Select the valve with the flow range that satisfies the desired flow rate, and set the design flow rate on site with a quick turn of the hand wheel.

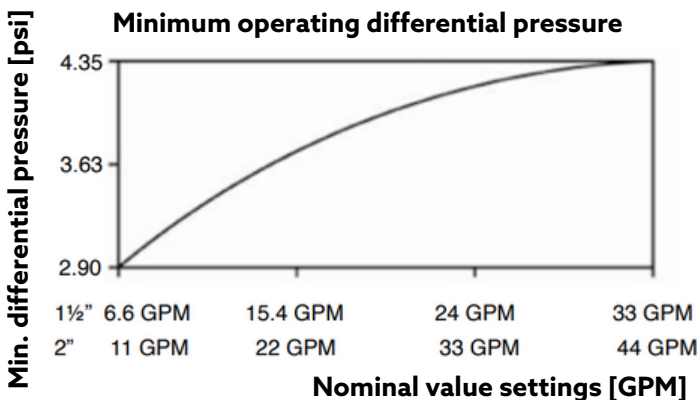
The valve is used for the hydronic balancing and temperature control of appliances or sections of the system in chilled ceiling, fan-coil, convactor, central heating, and surface heating systems.

Performance data:

Maximum working temperature:	250°F (120°C)
Minimum working temperature:	-4°F (-20°C)
Maximum working pressure:	232 psi (16 Bar)
Maximum differential pressure:	60 psi (4 Bar)
Minimum differential pressure:	2.9 to 4.35 psi (0.2 to 0.3 Bar)

Flow accuracy:	+/- 10%
Positioning accuracy:	1 GPM
Close-off pressure with 1158010:	232 psi

Size	D	L	t	H	H2
1½	1½	4.72	¾	9.65	13.78
2	2	5.9	1	10.0	14.25



Item numbers:

With test points

Size	Flow range	Item number
1½"	6.6 - 33 GPM	166 61 12
2"	11 - 44 GPM	166 61 16

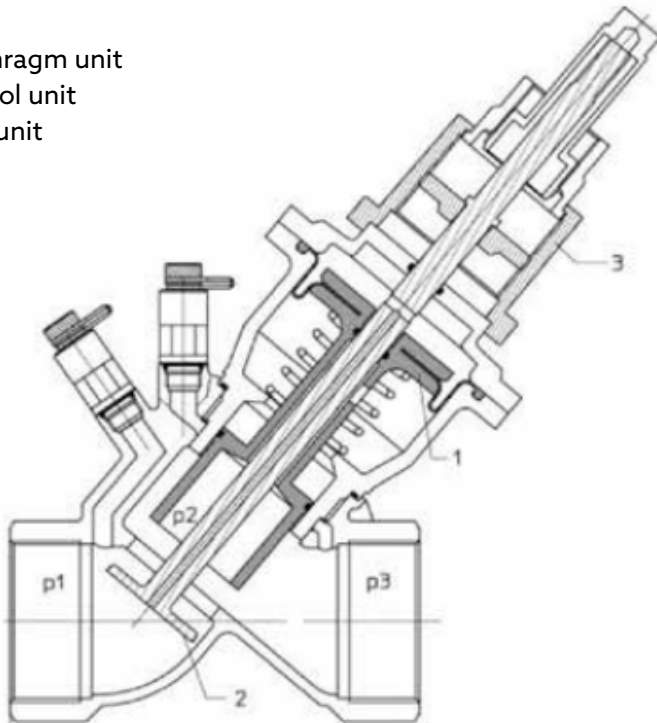
Accessories:

Lead sealing locking wire:	108 90 91
----------------------------	-----------



Legend:

- 1. Diaphragm unit
- 2. Control unit
- 3. Flow unit



Construction:

Construction:

The "Cocon Q" has a bronze body and the brass components are alloyed to resist dezincification (DZR). No dielectric fittings are required for installation. The valve stem is stainless steel and the flexible components are made of EPDM and PTFE. The "Cocon Q" offers a hand wheel mounted inline with the actuator. The valve has integral self-sealing ports for measuring differential pressure and fluid temperature using standard pressure and temperature test probes. Test ports are located on the same end and on the same side of the valve. Test ports are spaced 1.0 inch apart and extend 1.5 inches from the valve body. The "Cocon Q" includes a locking clip stop to ensure the balanced position while in operation and to prevent hand wheel repositioning after setting.

Valve characteristic line

