



Job Name: _____

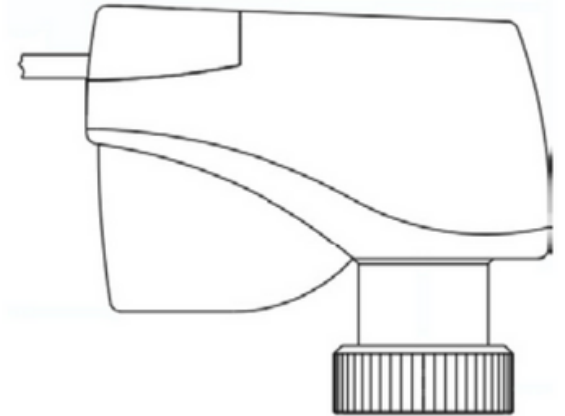
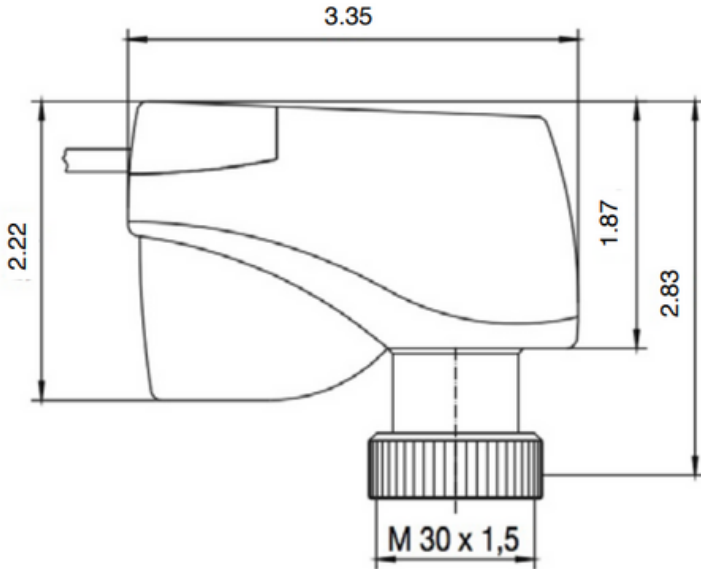
Submitted by: _____ Date: _____

Spec Section: _____

Job Location: _____

Engineer/Architect: _____

Approval: _____ Date: _____



Product specification:

The Series 1012700 valve actuator is an electromotive proportional actuator. The actuator is available with 0-10V control with positional feedback (1012706) or with three point, two-point, or 0-10V actuation without feedback (1012705). The Series 1012700 actuators can be used on any Oventrop valve with an M30x1.5 actuator connection.

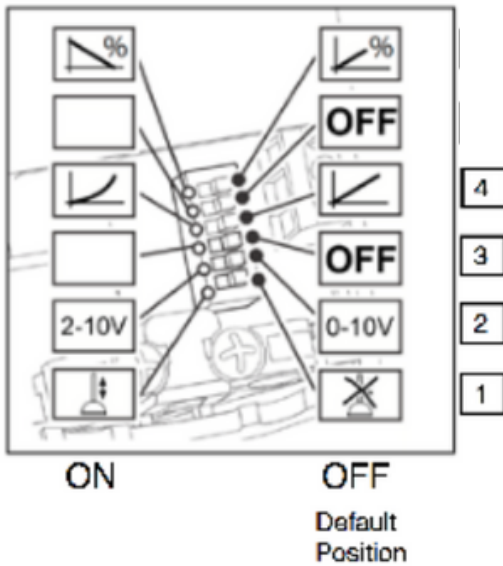
Can be used with:

- Oventrop three-way mixing valves
- Oventrop Cocon-Q automatic balancing and control valve
- Manifold distributor

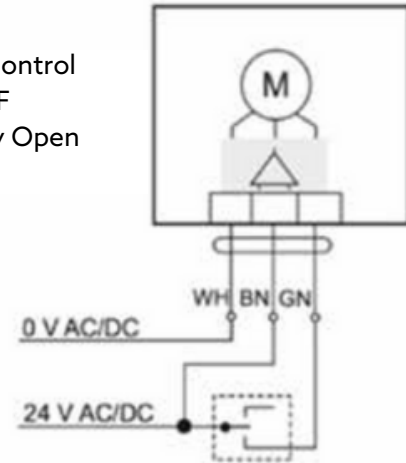
Connection:	M30x1.5 thread
Operating Voltage:	24V +/- 15%
Power consumption:	0.8 W active 2.5 VA

Stroke:	4 mm
Operating speed: approx.	15 s/mm
Spring strength:	> 150 N
Ambient temperature:	max. 120F
Air humidity:	non-condensing
Connection cable:	AWG22

Item:	Item Number
0-10V, 2-point, and 3-point	1012705
0-10V with position feedback	1012706

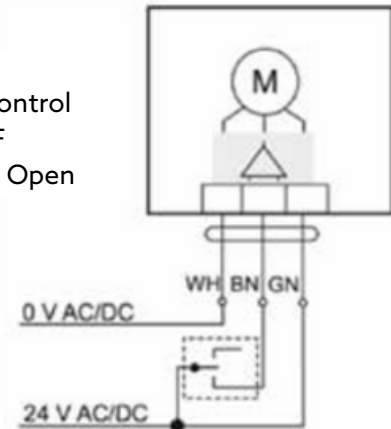


2-point control
ON / OFF
Normally Open

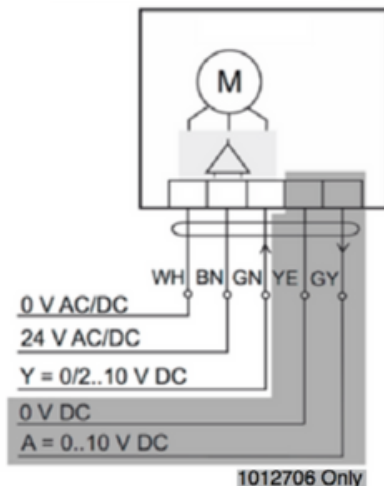


Switch Number	Dipswitch Position	
	ON	OFF
8	0(2) - 10V drives closed	0(2) - 10V drives open
5	Empty	
4	Equal Percentage Characteristic	Linear Characteristic
3	Empty	
2	2 - 10V control	0 - 10V control
1	Anti-blocking function On	Anti-blocking function Off

2-point control
ON / OFF
Normally Open



**Wiring Diagram:
1012705 / 1012706**



3-point control
Brown = Drive Closed
Green = Drive Open

