

Job Name: \_\_\_\_\_

Submitted by: \_\_\_\_\_ Date: \_\_\_\_\_

\_\_\_\_\_

Spec Section: \_\_\_\_\_

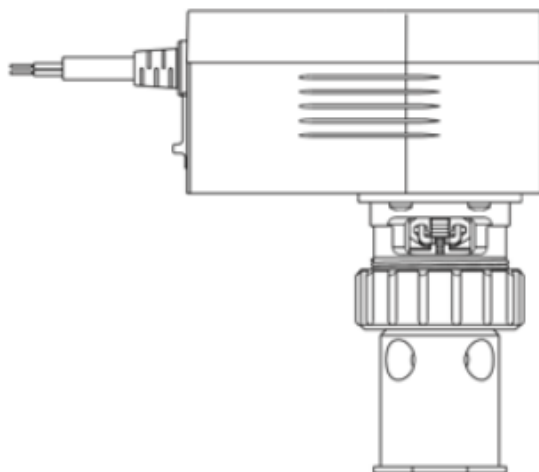
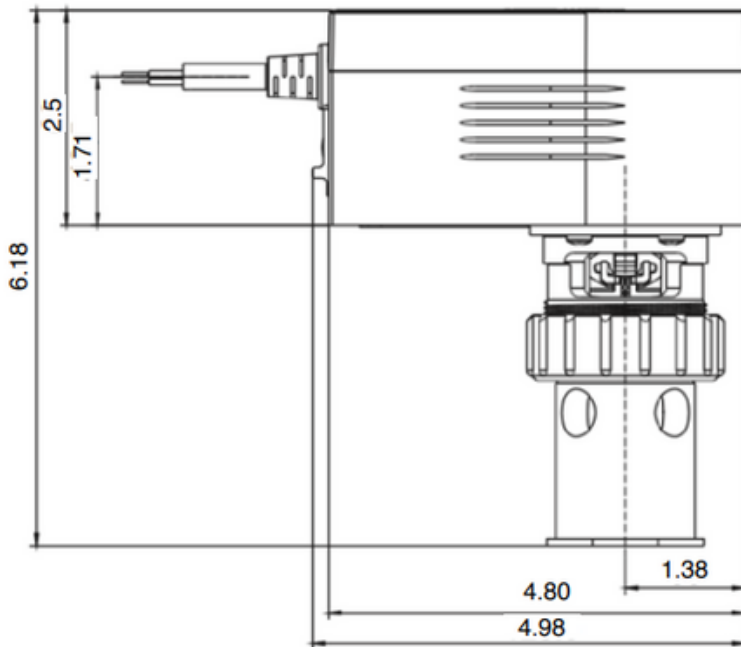
Job Location: \_\_\_\_\_

Engineer/Architect: \_\_\_\_\_

\_\_\_\_\_

Approval: \_\_\_\_\_ Date: \_\_\_\_\_

All dimensions are in inches



**Product specification:**

Oventrop electromotive actuator for steady control. The actuator can be used for two-point, three-point or proportional control (0-10 V), with squeeze connection. Type of characteristic line is adjustable.

Synchronous motor with activation and switch off technology.

Electronic recognition of the limit of travel and actuator switch off via time switch.

Maintenance-free gear with magnetic coupling.

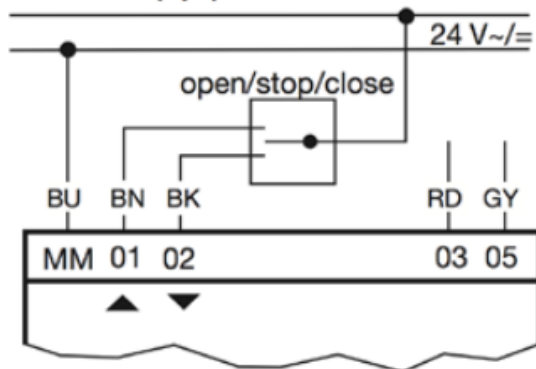
The valve can be manually positioned by disengaging the gear. This is achieved by actuating the lateral sliding switch and by setting the actuator to the required position with the supplied key.

Can be used with:  
1½" - 2" Cocon Q valves

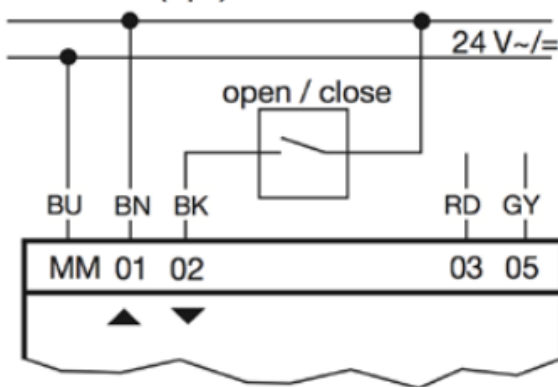
Operating current: 24V~/=   
Power consumption: 2.5-5W   
Drive: 0-10V   
Maximum piston stroke: 10 mm (0.4 in.)   
Operating power: 500 N (112.4 lbf)   
Floating time: 7.5/15s/mm   
(190.5/381 s/in.)

Protection: IP 54 (NEMA 3)   
Maximum fluid temperature: 248 °F   
Ambient temperature: 14 °F - 131 °F   
Storage temperature: 14 °F - 131 °F   
Connecting cable: 5 x 20 AWG

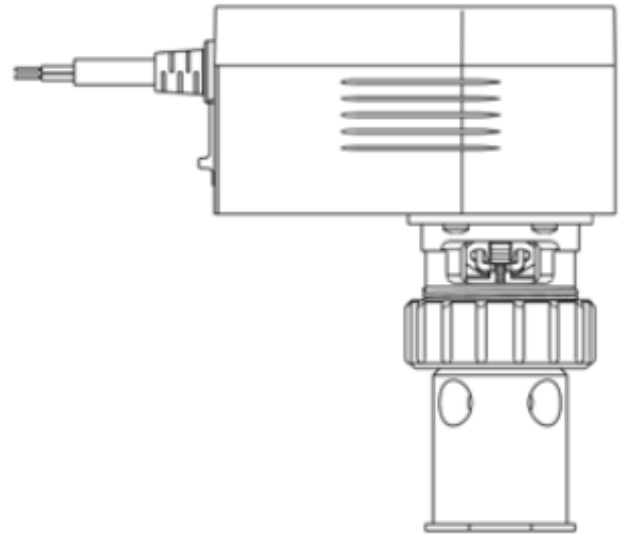
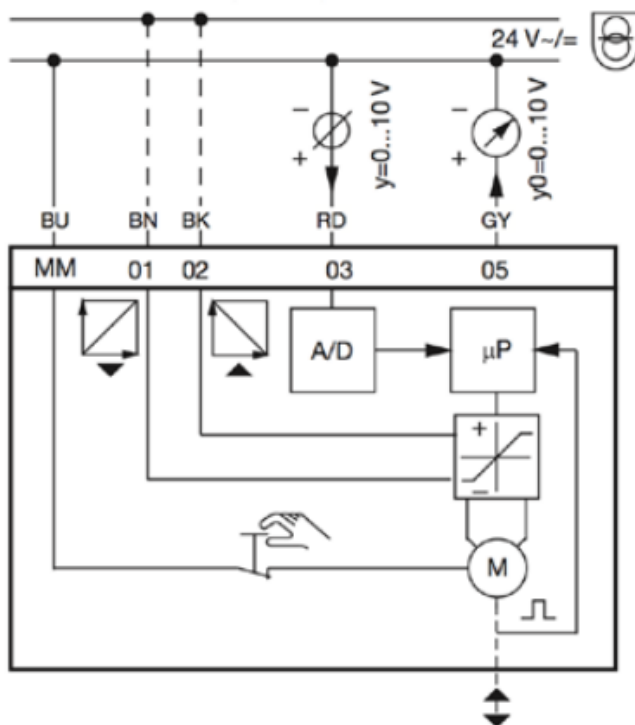
Variant 1 (3pt)



Variant 2 (2pt)



Variant 3 (0-10 V)



- 1 - Variant 1 for 3 point control wiring diagram
- 2 - Variant 2 for 2 point control wiring diagram
- 3 - Variant 3 for 0-10V control wiring diagram

**Wiring Diagram:**  
**1012705 / 1012706**