

Job Name: \_\_\_\_\_

Submitted by: \_\_\_\_\_ Date: \_\_\_\_\_

\_\_\_\_\_

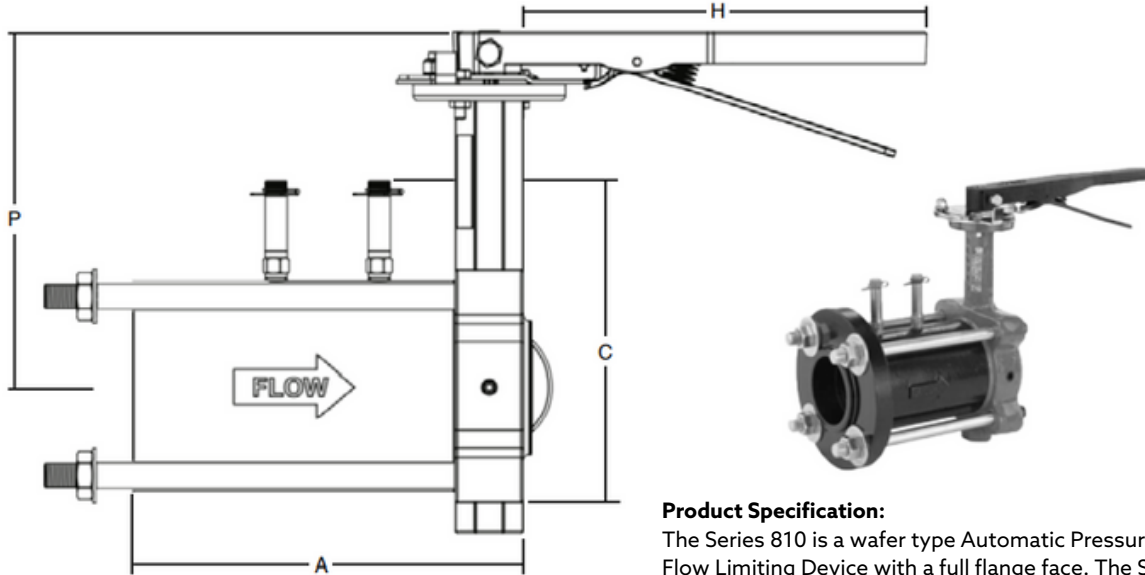
Spec Section: \_\_\_\_\_

Job Location: \_\_\_\_\_

Engineer/Architect: \_\_\_\_\_

\_\_\_\_\_

Approval: \_\_\_\_\_ Date: \_\_\_\_\_


**Product Specification:**

The Series 810 is a wafer type Automatic Pressure Independent Flow Limiting Device with a full flange face. The Series 810 is designed to fit between two ANSI Class 125 flanges. The Series 810 is supplied with one or more stainless steel flow limiting cartridges that can be removed for cleaning, inspection, and, if necessary, cartridge exchange. The Series 810 has two pressure/temperature ports. The Series 810 has a butterfly valve for positive shutoff.

Maximum working temperature: 250°F

Maximum working pressure: 600 WOG / CWP

**Valve Sizes and Dimensions**

Dimensions	Valve Body Size				
	2 1/2"	3"	4"	5"	6"
A	7.5	10.6	11.7	12.3	12.4
C	7.0	7.5	9.0	10.0	11.0
H	9.0				
P	7.2	7.6	8.4	8.9	9.6
# of Flow Cartridges	1	1	2	3	4
Maximum flow rate [GPM] at 2 - 32 PSID	80	135	270	405	540
Maximum flow rate [GPM] at 5 - 60 PSID	120	170	340	510	680
Weight [lbs]	23	34	53	86	103
Item number	8102951	8102952	8102953	8102954	8102955