

Job Name: \_\_\_\_\_

Submitted by: \_\_\_\_\_ Date: \_\_\_\_\_

\_\_\_\_\_

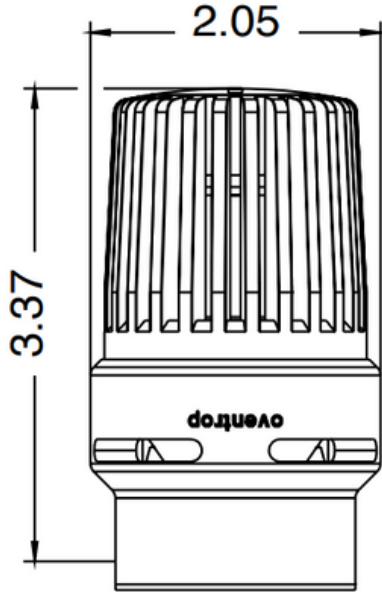
Spec Section: \_\_\_\_\_

Job Location: \_\_\_\_\_

Engineer/Architect: \_\_\_\_\_

\_\_\_\_\_

Approval: \_\_\_\_\_ Date: \_\_\_\_\_


**Temperature Settings**

0 = isolation of the radiator

\* = Frost protection symbol (in this position the valve opens automatically when room temperature drops below 7°C or 44°F.)

- 1 = 12°C or 54°F
- 2 = 16°C or 61°F
- 3 = 20°C or 68°F
- 4 = 24°C or 75°F
- 5 = 28°C or 82°F



The minor graduations between the figures 2 - 4 represent a change of room temperature of 1°C or about 2°F.

**Product Specifications:**

The Oventrop LHB thermostat is designed for high traffic and locations in which vandalism is a concern. The LHB can support up to 220 lbs of force applied directly to the thermostat. The thermostat cannot be adjusted or removed without special tools.

**Materials:**

Fiber reinforced nylon / Brass

**Specifications:**

Adjustment range: 45°F - 82°F (7°C - 28°C)

Settings: 0 † 1 - 5

Sensor type\*: Liquid

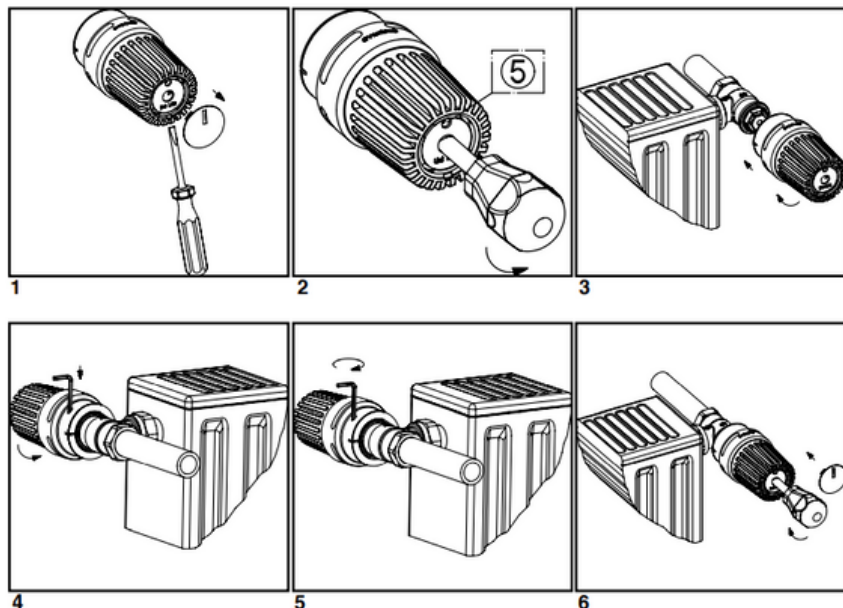
Ambient temperature range: 32°F-122°F

Maximum fluid temperature: 248°F

**Items:**

M30x1.5 connection 101 14 10

Setting Key (Drilled spanner bit #14) 101 14 97



### Product Specification

Mounting and setting instructions:

- 1 - Using a suitable tool (e.g. small screwdriver), pull out front cover disc through the opening at the handwheel.
- 2 - Using the setting key (item no. 101 14 97), turn thermostat anticlockwise until stop ("5") through the front bore.
- 3 - Mount thermostat onto the valve by turning it clockwise. Turn the complete thermostat by hand until the collar nut touches the contact surface of the valve. Keep turning the handwheel against the increased resistance until the raised marking in the connection area of the handwheel is in line with the groove of the collar nut (fig. 8).
- 4 - Introduce a 2.5 mm allen key through the lateral bore in the connection area of the handwheel into the safety screw. Hand tighten the thermostat firmly with the spanner remaining inside the bore.
- 5 - Now tighten the safety screw by turning the 2.5 mm allen key clockwise.
- 6 - Finally, using the setting key (item no. 101 14 97), turn the setting screw until the corresponding setting figure or a minor graduation is visible in the viewer (fig. 2) Setting ranges from the frost protection symbol "❄" to setting figure "5". The markings between figure "❄" and "4" represent a change of room temperature of 4°F. Finally, push in the cover disc (fig. 6).

### Figures and symbols on the thermostat

