

Job Name: _____

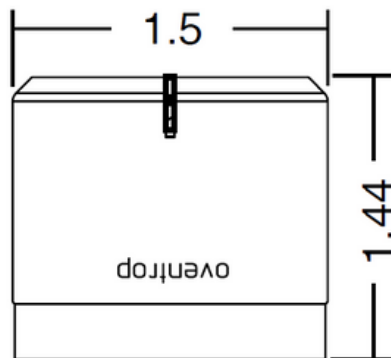
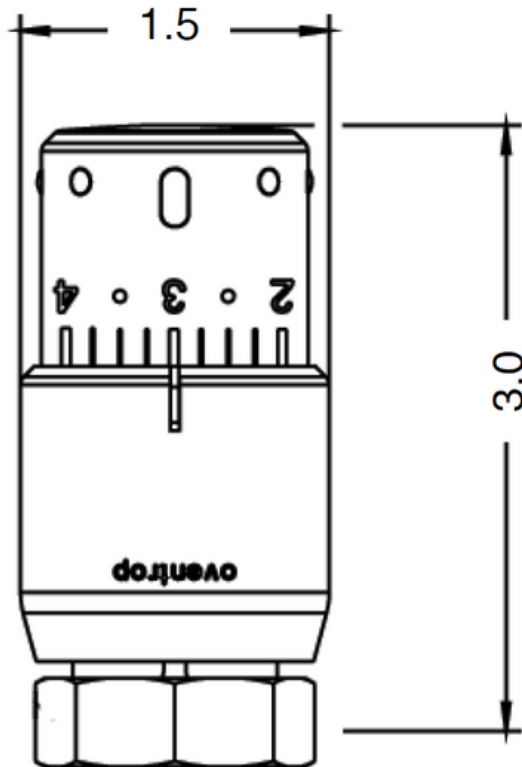
Submitted by: _____ Date: _____

Spec Section: _____

Job Location: _____

Engineer/Architect: _____

Approval: _____ Date: _____



Product specification:
Designer thermostatic head, especially for Oventrop
exclusive radiator valves.

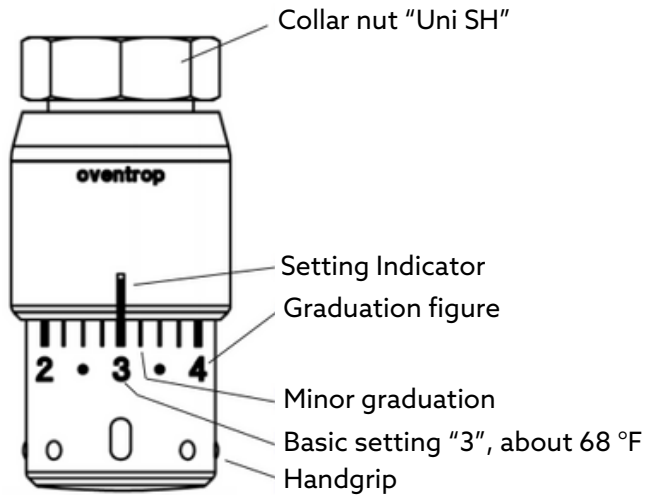
Materials:
Fiber reinforced nylon / Steel

Specifications:
Adjustment range: 45°F - 82°F (7°C - 28°C)
Settings: 0 \uparrow 1 - 5
Sensor type: Liquid
Ambient temperature range: 32°F-122°F
Maximum fluid temperature: 248°F
Radiator valve connection: M30x1.5

Items:

Stainless steel finish	101 20 85
White/chrome plated model	101 20 65
Chrome cover	101 20 81

Figures and symbols on the thermostat



Temperature Settings

0 = isolation of the radiator

* = Frost protection symbol (in this position the valve opens automatically when room temperature drops below 7°C or 44°F.)

1 = 12°C or 54°F

2 = 16°C or 61°F

3 = 20°C or 68°F

4 = 24°C or 75°F

5 = 28°C or 82°F



The minor graduations between the figures 2 - 4 represent a change of room temperature of 1°C or about 2°F.