

Job Name: _____

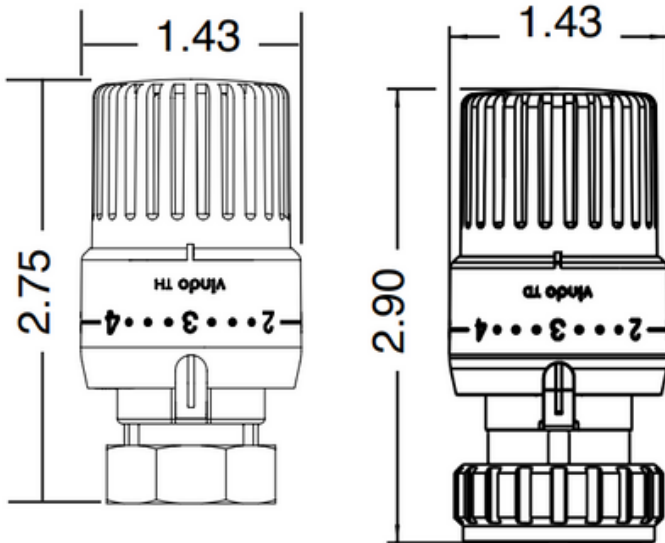
Submitted by: _____ Date: _____

Spec Section: _____

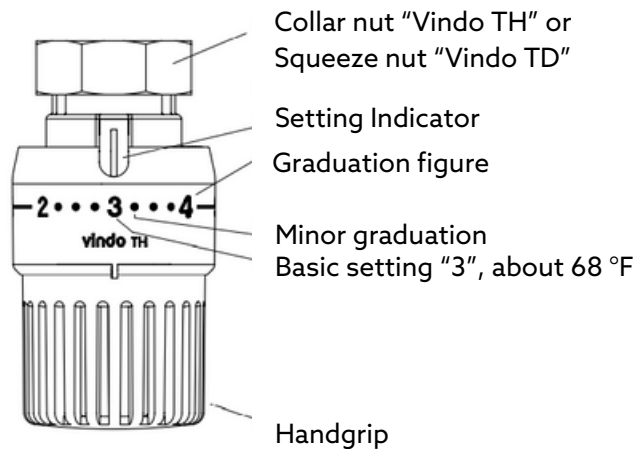
Job Location: _____

Engineer/Architect: _____

Approval: _____ Date: _____



Figures and symbols on the thermostat



Product specification:

Materials:
Fiber reinforced nylon

Specifications:
Adjustment range: 45°F - 82°F (7°C - 28°C)
Settings: 0 * 1 - 5
Sensor type: Liquid
Ambient temperature range: 32°F-122°F (0°C-50°F)
Maximum fluid temperature: 248°F

Items:

Chrome model 101 33 66
White model 101 30 76

Temperature Settings

0 = isolation of the radiator

* = Frost protection symbol (in this position the valve opens automatically when room temperature drops below 7°C or 44°F.)

- 1 = 12°C or 54°F
- 2 = 16°C or 61°F
- 3 = 20°C or 68°F
- 4 = 24°C or 75°F
- 5 = 28°C or 82°F



The minor graduations between the figures 2 - 4 represent a change of room temperature of 1°C or about 2°F.