

Job Name: _____

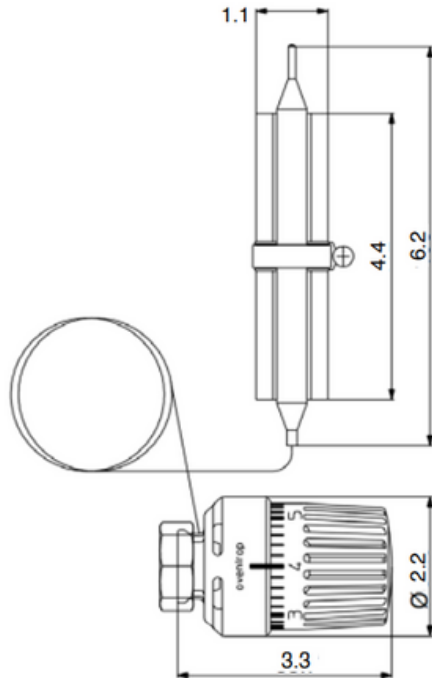
Submitted by: _____ Date: _____

Spec Section: _____

Job Location: _____

Engineer/Architect: _____

Approval: _____ Date: _____



Specifications

Oventrop non-electric temperature controller, with contact sensor and heat transfer unit, capillary 6.6 ft. The control range may be limited and locked.

The non-electric temperature controller with contact sensor is used as a proportional set point control and can be used in many applications (e.g. water distribution and temperature control for boilers, fan coils, radiant floor heating, panel radiators, etc.).

Actuator connection thread M30x1.5.

Overheating reliability: 54 °F above set value.

For use with two- and three-way valves.

Not for outdoor use.

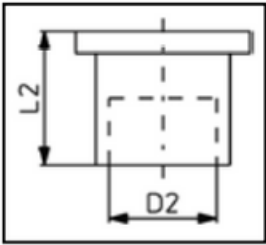
Models:

- Temperature Controller
86-140 °F, 6.6 ft. capillary **114 28 62**
- Temperature Controller
104-158 °F, 6.6 ft. capillary **114 28 63**
- Temperature Controller
122-176 °F, 6.6 ft. capillary **114 28 64**

Item no.	Handwheel settings in approximate temperatures [°F]						
	1	2	3	4	5	6	7
114 28 62	86	95	104	113	122	131	140
114 28 63	104	113	122	131	140	149	158
114 28 64	122	131	140	149	158	167	176

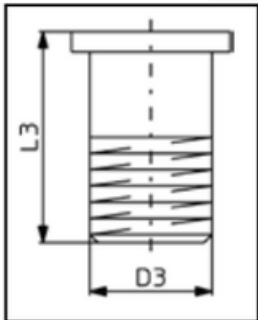
Difference between the individual figures is approximately 9 °F.

Mode of operation on temperature rise	
Two-way valve	Valve closes
Three-way diverting valve	Output switches from port II to port III
Three-way mixing valve	Input switches from port B to port A



Size	L2	D2
3/4"	0.90	0.875
1"	1.18	1.125
1 1/4"	1.57	1.375
1 1/2"	1.26	1.625

Solder tailpipes



Size	L3	D3
3/4"	1.34	3/4
1"	1.60	1
1 1/4"	1.60	1 1/4
1 1/2"	1.60	1 1/2

Threaded tailpipes



Applications:

Any instance where the hot heating water supply requires a control valve for diverting flow. Such applications include: diverting of the flow to hot water storage cylinders for priority switching, boiler hot water flow control for space heating with indirect domestic hot water heating, storage charging connection during no load conditions by means of a heat pump, fan coil bypass, solar storage or boiler space heating, and solar heat dissipation.

Performance Data:

