

2

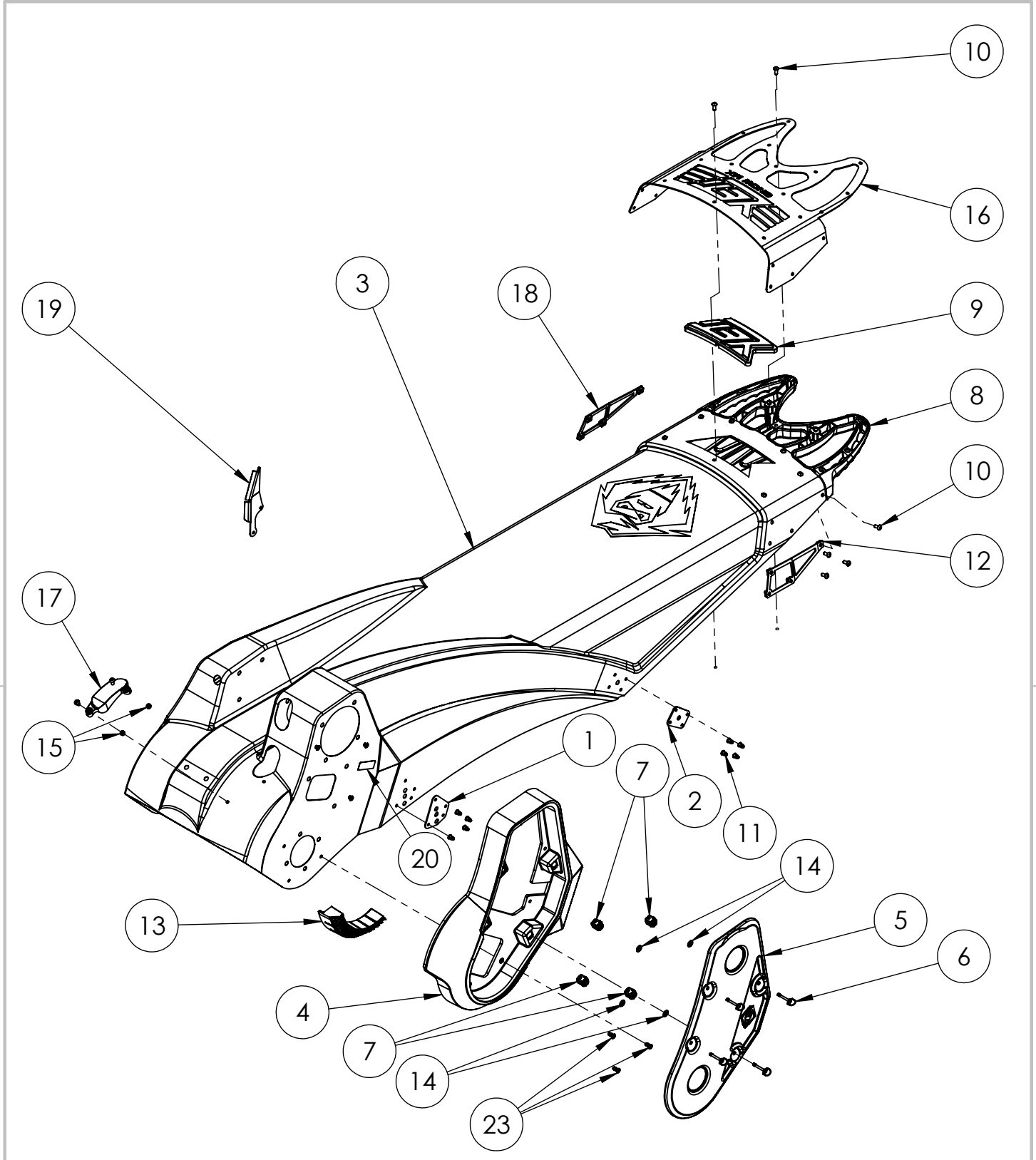
1

B

B

A

A



2016 CHASSIS ASSEMBLY, 12.5 WIDE, 129 INCH

C3 POWERSPORTS 2014 LTD

#1 - 17 RENAULT CRESENT,
ST. ALBERT, AB. T8N 4B7
PH 780 419-2040 888 267-5554 www.c3powersports.com

PROPRIETARY AND CONFIDENTIAL

THE INFORMATION CONTAINED IN THIS DRAWING IS THE SOLE PROPERTY OF C3 POWERSPORTS 2014 LTD. ANY REPRODUCTION IN PART OR AS A WHOLE WITHOUT THE WRITTEN PERMISSION OF C3 POWERSPORTS 2014 LTD IS PROHIBITED.



DWG. NO.

YACH1100 D11

REV.

DATE

JUNE 15-2016

WEIGHT: 10.996

2

1

ITEM NO.	PART NUMBER	DESCRIPTION	QTY.
1	YPCH1577D3	SUSPENSION MOUNT PLATE, FRONT, 3 HOLE	2
2	YPCH1105D1	SUSPENSION MOUNT PLATE, REAR	2
3	YPCH1779D5	2017 CHASSIS, 12.5 WIDE, 129 INCH	1
4	YPCH1776D9	DEFECTOR, SyncroDrive	1
5	YPCH1107D7	COVER, POLYCARBONATE SYNCRODRIVE CLEAR	1
6	YPHW1697	DZUS, 1/4 TURN FASTENER, 27MM	4
7	YPHW1348	RECEPTICLE, 1/4 TURN, DZUS	4
8	YPCH1176D7	BUMPER, MOLDED HANDLE, WIDE	1
9	YPCH1179D1	BUMPER, YETI SILICONE INSERT, BLACK	1
10	YPHW1573	BOLT, M5-0.8 X 12MM BUTTON HEAD SOCKET CAP A4 S/S	26
11	YPHW1305	RIVIT, 3/16 S/S GRIP RANGE .138-.236"	16
12	YPCH1925D3	NUT PLATE, BUMPER, LH, STEEL	1
13	YPCH1618D3	DEFLECTOR DAMPENER, SILICONE	1
14	YPHW1586	1/4 TURN FASTENER PUSH ON RETAINER S/S	4
15	YPCH1598	THREADED INSERT, M5 X 9.4MM STL PLATED ZINC	2
16	YPCH1175D12	BUMPER, FORMED PLATE	1
17	YPCH1578D13	CHAIN SLIDER, CHASSIS	1
18	YPCH1926D3	NUT PLATE, BUMPER, RH, STEEL	1
19	YPCH1159D3	BRAKE LINE PROTECTOR, FORMED, SS	1
20	YPDC9501	DECAL, SyncroDrive DEFLECTION INSTRUCTIONS	1
21	YPDC9504	DECAL, ICON 129" TUNNEL GRAPHIC, LH	1
22	YPDC9505	DECAL, ICON 129" TUNNEL GRAPHIC, RH	1
23	YPHW1769D1	SCREW, M5-.8 X 16MM, ULTRA LOW HEAD HEX SOCKET	6

2016 CHASSIS ASSEMBLY, 12.5 WIDE, 129 INCH

C3 POWERSPORTS 2014 LTD

#1 - 17 RENAULT CRESENT,
ST. ALBERT, AB. T8N 4B7
PH 780 419-2040 888 267-5554 www.c3powersports.com

PROPRIETARY AND CONFIDENTIAL

THE INFORMATION CONTAINED IN THIS DRAWING IS THE SOLE PROPERTY OF C3 POWERSPORTS 2014 LTD. ANY REPRODUCTION IN PART OR AS A WHOLE WITHOUT THE WRITTEN PERMISSION OF C3 POWERSPORTS 2014 LTD IS PROHIBITED.



DWG. NO.

REV.

YACH1100 D11

DATE

JUNE 15-2016

WEIGHT: 10.996

OPTIONS

ITEM NO.	PART NUMBER	DESCRIPTION	QTY.
5	YPCH1787	COVER, POLYCARBONATE SYNCRODRIVE LIGHT TINT	1
5	YPCH1788	COVER, POLYCARBONATE SYNCRODRIVE DARK TINT	1
5	YPCH1789	COVER, POLYCARBONATE SYNCRODRIVE BLUE TINT	1
5	YPCH1790	COVER, POLYCARBONATE SYNCRODRIVE ORANGE TINT	1
9	YPCH1177	BUMPER, YETI SILICONE INSERT, ORANGE	
9	YPCH1178	BUMPER, YETI SILICONE INSERT, GREEN	
9	YPCH1180	BUMPER, YETI SILICONE INSERT, WHITE	
9	YPCH1181	BUMPER, YETI SILICONE INSERT, RED	
9	YPCH1182	BUMPER, YETI SILICONE INSERT, BLUE	
21	YPDC9502	DECAL, ICON 120" TUNNEL GRAPHIC, LH	
21	YPDC9506	DECAL, ICON 137" TUNNEL GRAPHIC, LH	
21	YPDC9508	DECAL, ICON 146" TUNNEL GRAPHIC, LH	
22	YPDC9503	DECAL, ICON 120" TUNNEL GRAPHIC, RH	
22	YPDC9507	DECAL, ICON 137" TUNNEL GRAPHIC, RH	
22	YPDC9509	DECAL, ICON 146" TUNNEL GRAPHIC, RH	

C3 POWERSPORTS 2014 LTD

#1 - 17 RENAULT CRESENT,
ST. ALBERT, AB. T8N 4B7
PH 780 419-2040 888 267-5554 www.c3powersports.com

PROPRIETARY AND CONFIDENTIAL

THE INFORMATION CONTAINED IN THIS DRAWING IS THE SOLE PROPERTY OF C3 POWERSPORTS 2014 LTD. ANY REPRODUCTION IN PART OR AS A WHOLE WITHOUT THE WRITTEN PERMISSION OF C3 POWERSPORTS 2014 LTD IS PROHIBITED.



DWG. NO.

REV.

YACH1100 D11

DATE

JUNE 15-2016

WEIGHT: