

2

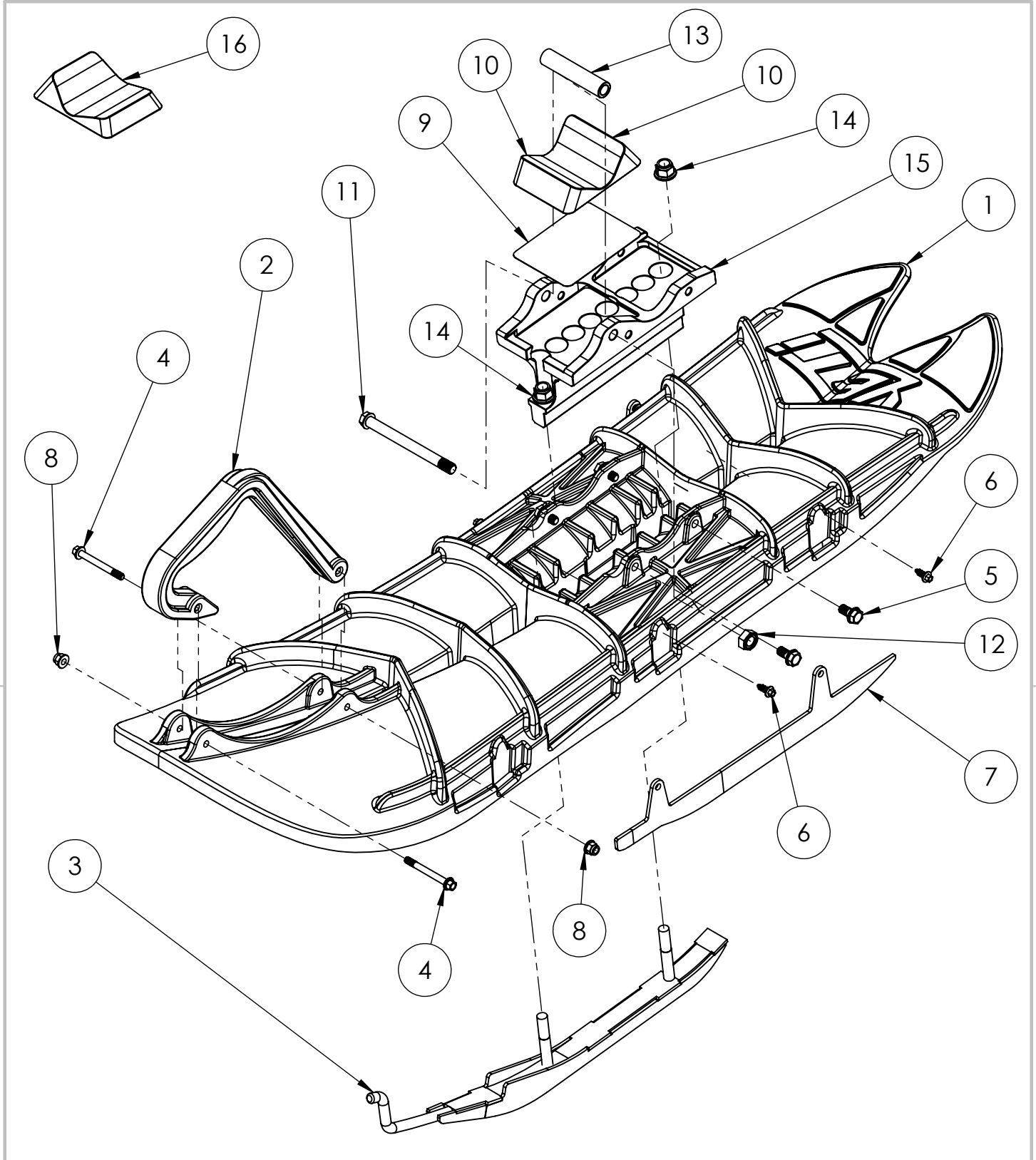
1

B

B

A

A



2016 SKI ASSEMBLY

C3 POWERSPORTS 2014 LTD

#1 - 17 RENAULT CRESENT,
ST. ALBERT, AB. T8N 4B7
PH 780 419-2040 888 267-5554 www.c3powersports.com

PROPRIETARY AND CONFIDENTIAL

THE INFORMATION CONTAINED IN THIS DRAWING IS THE SOLE PROPERTY OF C3 POWERSPORTS 2014 LTD. ANY REPRODUCTION IN PART OR AS A WHOLE WITHOUT THE WRITTEN PERMISSION OF C3 POWERSPORTS 2014 LTD IS PROHIBITED.



DWG. NO.

REV.

YASK1090 D8

DATE

JULY 7-2016

WEIGHT: 12.035

2

1

ITEM NO.	PART NUMBER	DESCRIPTION	QTY.
1	YPSK1094D5	SKI, BLACK	1
2	YPSK1195	SKI HANDLE, BLACK	1
3	YPSK1632D4	SKAG, HARDOX, WELDED	1
4	YPHW1030D1	BOLT, M6-1.0 X 50mm, FLANGE HEAD 8mm HEX DRIVE, Ti	2
5	YPHW1003D1	BOLT, M8-1.25 X 16mm, FLANGE HEAD 12mm HEX DRIVE, Ti	4
6	YPHW1066	SCREW, M6-2.75 x 16mm, FLANGE HEAD 6mm HEX DRIVE	4
7	YPSK1167D4	SKI, OUTSIDE RUNNER	2
8	YPHW1063D1	NUT, M6-1.0, FLANGE NYLOCK, Ti	2
9	YPSK1904	PLATE, SKI BUMPER, .020" TI	1
10	YPSK1171D4	BUMPER, SKI, YETI ASM	1
11	YPHW1599D1	BOLT, M10-1.25 x 110 FLANGE HEAD 12mm HEX DRIVE, Ti	1
12	YPHW1059	NUT, M10-1.25, ALL METAL SELF LOCKING	1
13	YPSP1172D1	BUSHING, YETI TO TS BASE	1
14	YPHW1263	NUT, M10-1.5 FLANGED NYLON LOCK	2
15	YPSK1774D2	SKI RECIEVER, ONE PIECE, ASM	1

OPTIONS

ITEM NO.	PART NUMBER	DESCRIPTION	QTY.
16	YPSK1778D2	BUMPER, SKI, TIMBERSLED	1
1	YPSK1094D5BL	SKI, BLUE	1
1	YPSK1094D5GR	SKI, GREEN	1
1	YPSK1094D5OR	SKI, ORANGE	1
1	YPSK1094D5RD	SKI, RED	1
1	YPSK1094D5WH	SKI, WHITE	1
1	YPSK1094D5YE	SKI, YELLOW	1
2	YPSK1195BL	SKI HANDLE, BLUE	1
2	YPSK1195GR	SKI HANDLE, GREEN	1
2	YPSK1195OR	SKI HANDLE, ORANGE	1
2	YPSK1195RD	SKI HANDLE, RED	1
2	YPSK1195WH	SKI HANDLE, WHITE	1
2	YPSK1195YE	SKI HANDLE, YELLOW	1

NOTE: Ti PLATE ITEM 9 NEW PART

2016 SKI ASSEMBLY

C3 POWERSPORTS 2014 LTD

#1 - 17 RENAULT CRESENT,
ST. ALBERT, AB. T8N 4B7
PH 780 419-2040 888 267-5554 www.c3powersports.com

PROPRIETARY AND CONFIDENTIAL

THE INFORMATION CONTAINED IN THIS DRAWING IS THE SOLE PROPERTY OF C3 POWERSPORTS 2014 LTD. ANY REPRODUCTION IN PART OR AS A WHOLE WITHOUT THE WRITTEN PERMISSION OF C3 POWERSPORTS 2014 LTD IS PROHIBITED.



DWG. NO.

REV.

YASK1090 D8

DATE

JULY 7-2016

WEIGHT: 12.035