

2

1

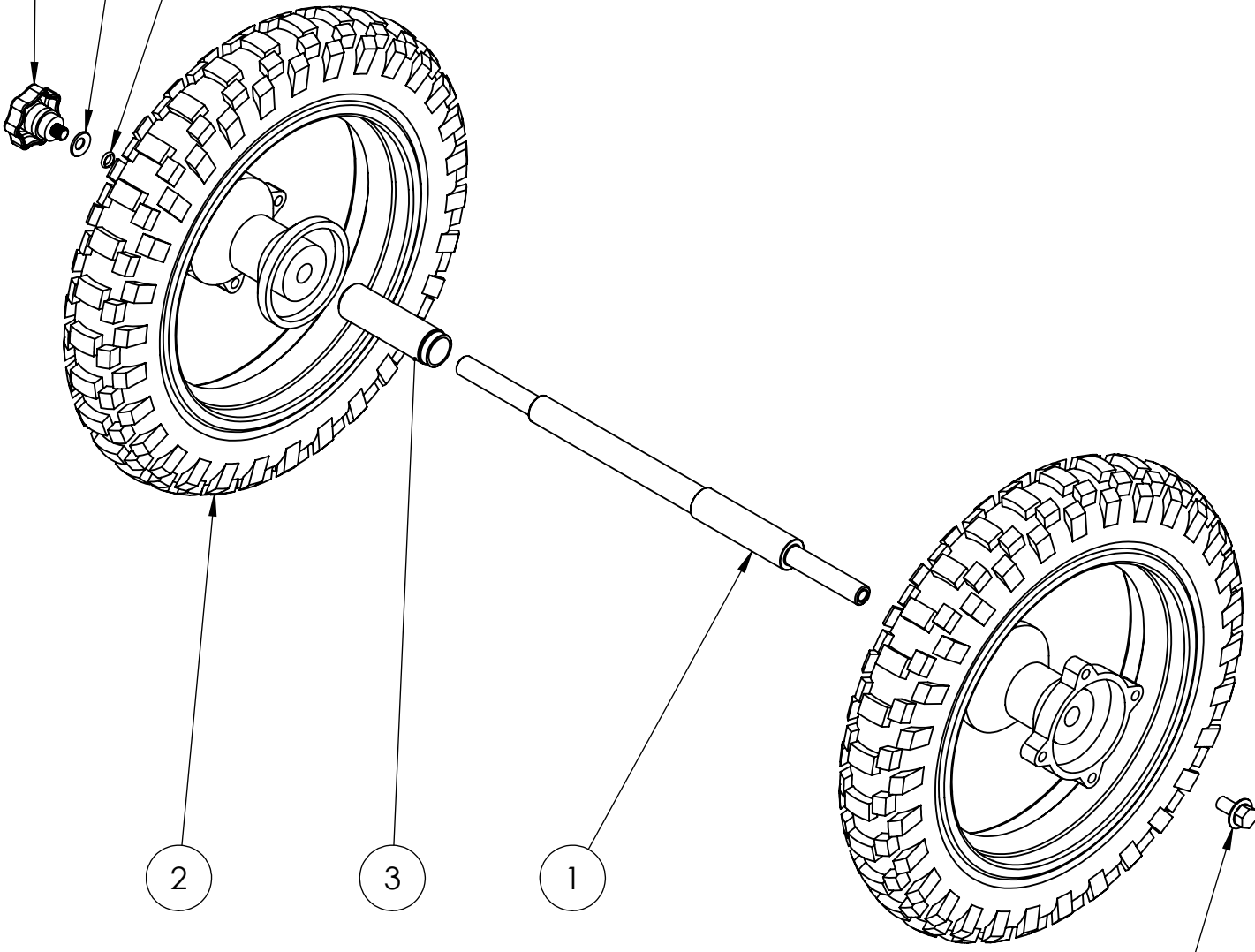
B

B

A

A

- 7
- 4
- 6



### FREEWHEEL KIT, YETI

**C3 POWERSPORTS 2014 LTD**  
 #1 - 17 RENAULT CRESENT,  
 ST. ALBERT, AB. T8N 4B7  
 PH 780 419-2040 888 267-5554 www.c3powersports.com



DWG. NO. REV.

**YAAC1281 D1**

DATE **AUG 28-2015** WEIGHT:

**PROPRIETARY AND CONFIDENTIAL**  
 THE INFORMATION CONTAINED IN THIS DRAWING IS THE SOLE PROPERTY OF C3 POWERSPORTS 2014 LTD. ANY REPRODUCTION IN PART OR AS A WHOLE WITHOUT THE WRITTEN PERMISSION OF C3 POWERSPORTS 2014 LTD IS PROHIBITED.

2

1

2

1

ITEM NO.	PART NUMBER	DESCRIPTION	QTY.
1	YPAC1242	FREEWHEEL AXLE, MACHINED, IMPERIAL	1
2	YPAC1146	WHEEL, 10 INCH	2
3	YPAC1587	SPACER, FREEWHEEL AXLE	1
4	YPHW1651	BELLEVILLE WASHER 20MMOD X 10.2MM ID X 1.5MM TH	1
5	YPHW1419	BOLT, M10-1.5 X 20MM FLANGE BOLT 10.9 ZINC FOR FREEWHEEL	1
6	YPHW1661	O-RING, #011 - FOR FREEWHEEL	1
7	YPHW1420	STAR GRIP BOLT M10-1.5	1

B

B

A

A

## FREEWHEEL KIT, YETI

### C3 POWERSPORTS 2014 LTD

#1 - 17 RENAULT CRESENT,  
ST. ALBERT, AB. T8N 4B7  
PH 780 419-2040 888 267-5554 www.c3powersports.com

#### PROPRIETARY AND CONFIDENTIAL

THE INFORMATION CONTAINED IN THIS DRAWING IS THE SOLE PROPERTY OF C3 POWERSPORTS 2014 LTD. ANY REPRODUCTION IN PART OR AS A WHOLE WITHOUT THE WRITTEN PERMISSION OF C3 POWERSPORTS 2014 LTD IS PROHIBITED.



DWG. NO.

REV.

YAAC1281 D1

DATE

AUG 28-2015

WEIGHT:

2

1