



ITEM NO.	PART NUMBER	DESCRIPTION	QTY.
1	YPSU1368	FRONT ARM TITANIUM WELDED GR 9	1
2	YPSU1375	UPPER FRONT ARM RUB PROTECTOR GF NYLON	2
3	YPSU1372	FRONT ARM ALUMINUM UPPER SHAFT	1
4	YPSU1369	FRONT ARM UPPER NYLON BUSHING	2
5	YPSU1396	SL2 CROSS SHAFT FIBER PA RETAINER FOR 314 O RING	4
6	YPHW1003	BOLT, M8-1.25 X 16mm, FLANGE HEAD 12mm HEX DRIVE, Ti	6
7	YPSU1395	THIS SHAFT IS REPLACED BY PART NUMBER YPSU1861	1
8	YPSU1875	ALUMINUM CROSS TIES	1
9	YPSU1407	LIMITER STRAP	1
10	YPSU1397	STAINLESS WIRE SNAP RING 1000-75	4
11	YPSU1414	SHOCK, FRONT SKID FLOAT 3, SOFT 951-99-122	1
12	YPSU1371	PIN, FRONT ARM LOWER, 7075 HARD ANODIZED	2
13	YPHW1377	NUT, M8-1.25, NYLOCK, TI	3
14	YPSU1385	ORING, UPPER SHAFT OUTER & MID SEAL	2
15	YPHW1376	BOLT, M8-1.25 X 43mm, FLANGE HEAD 12mm HEX DRIVE, Ti	3

## OPTIONS

11	YACU2065	SHOCK, RAPTOR WITH COMP CLICKER, FRONT SKID, UPGRADE	1
----	----------	--	---

## NOTES:

1. THE ORIGINAL 2016 YETI ALUMINUM BLACK ANODIZED LOWER SHOCK SHAFTS HAVE BEEN UPGRADED TO A STRONGER TITANIUM UPGRADE KIT PART NUMBER YACU2062. SEE DRAWING YPCU2062 FOR MOR DETAILS.
2. 2016 YETI LIMITER STRAP LENGTH SHOULD BE 8.75" CENTER TO CENTER. SEE YETI TECH TIPS AND YOUTUBE CHANNEL FOR PROPER SET UP AND ADJUSTMENT. IMPROPER LIMITER STRAP LENGTH WILL DRASTICALLY EFFECT HANDLING.

## SLR SUSPENSION, FRONT ARM ASSEMBLY

### C3 POWERSPORTS 2014 LTD

#1 - 17 RENAULT CRESENT,  
ST. ALBERT, AB. T8N 4B7  
PH 780 419-2040 888 267-5554 www.c3powersports.com

#### PROPRIETARY AND CONFIDENTIAL

THE INFORMATION CONTAINED IN THIS DRAWING IS THE SOLE PROPERTY OF C3 POWERSPORTS 2014 LTD. ANY REPRODUCTION IN PART OR AS A WHOLE WITHOUT THE WRITTEN PERMISSION OF C3 POWERSPORTS 2014 LTD IS PROHIBITED.



DWG. NO.

REV.

YASU1636 D1

DATE

JULY 11-2017

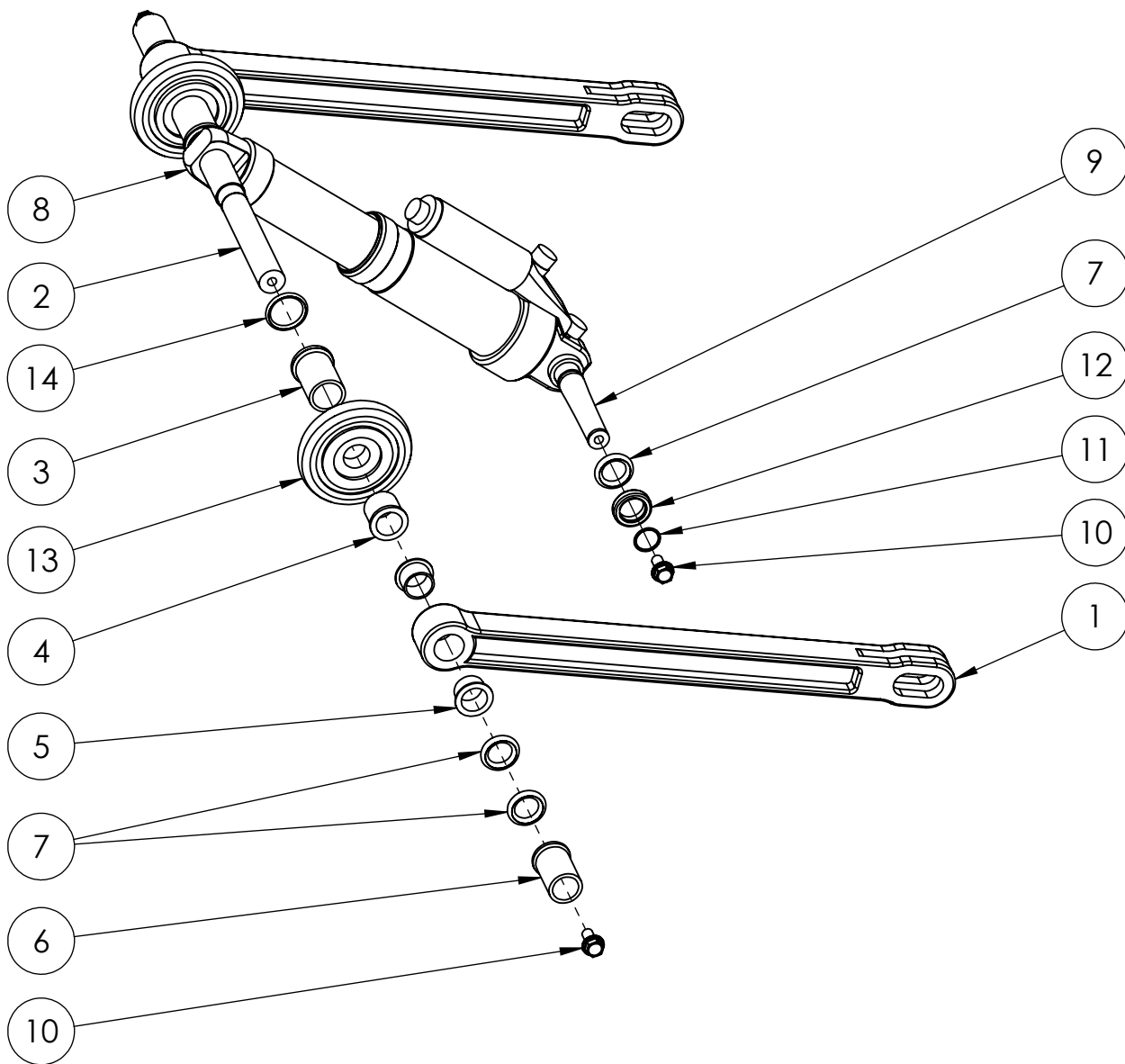
WEIGHT: 5.021

2

1

B

B



A

A

### SLR SUSPENSION, REAR ARM ASSEMBLY

**C3 POWERSPORTS 2014 LTD**

#1 - 17 RENAULT CRESENT,  
ST. ALBERT, AB. T8N 4B7  
PH 780 419-2040 888 267-5554 www.c3powersports.com

**PROPRIETARY AND CONFIDENTIAL**

THE INFORMATION CONTAINED IN THIS DRAWING IS THE SOLE PROPERTY OF C3 POWERSPORTS 2014 LTD. ANY REPRODUCTION IN PART OR AS A WHOLE WITHOUT THE WRITTEN PERMISSION OF C3 POWERSPORTS 2014 LTD IS PROHIBITED.



DWG. NO.

REV.

**YASU1637 D1**

DATE

**JULY 11-2016**

WEIGHT: 3.227

2

1

ITEM NO.	PART NUMBER	DESCRIPTION	QTY.
1	YPSU1388	REACTOR BAR	2
2	YPSU1379	THIS SHAFT IS REPLACED BY PART NUMBER YACU2064	1
3	YPSU1381	SPACER, REAR UPPER SHAFT INNER, PLASTIC	2
4	YPSU1382	SPACER, REAR UPPER SHAFT MIDDLE, PLASTIC	2
5	YPSU1387	BUSHING, UPPER SHAFT REACTOR, NYLON	4
6	YPSU1383	SPACER, REAR UPPER SHAFT OUTER, PLASTIC	2
7	YPSU1385	ORING, UPPER SHAFT OUTER & MID SEAL	6
8	YPSU1417	SHOCK, REAR SKID FLOAT 3 EVOL, SOFT, 952-99-126	1
9	YPSU1395	THIS SHAFT IS REPLACED BY PART NUMBER YPSU1861	1
10	YPHW1003	BOLT, M8-1.25 X 16mm, FLANGE HEAD 12mm HEX DRIVE, Ti	4
11	YPSU1397	STAINLESS WIRE SNAP RING 1000-75	2
12	YPSU1396	SL2 CROSS SHAFT FIBER PA RETAINER FOR 314 O RING	2
13	YPSU1217	WHEEL, 3.35" OD, 20MM ID BEARING	2
14	YPSU1384	ORING, UPPER SHAFT INNER SEAL	2

## OPTIONS

8	YACU2066	SHOCK, RAPTOR MONO, REAR SKID, UPGRADE	1
8	YACU2065	SHOCK, RAPTOR WITH COMP CLICKER, REAR SKID, UPGRADE	1

## NOTES:

1. THE ORIGINAL 2016 YETI ALUMINUM BLACK ANODIZED LOWER SHOCK SHAFTS HAVE BEEN UPGRADED TO A STRONGER TITANIUM UPGRADE KIT PART NUMBER YACU2062. SEE DRAWING YPCU2062 FOR MOR DETAILS.

## SLR SUSPENSION, REAR ARM ASSEMBLY

### C3 POWERSPORTS 2014 LTD

#1 - 17 RENAULT CRESENT,  
ST. ALBERT, AB. T8N 4B7  
PH 780 419-2040 888 267-5554 www.c3powersports.com

#### PROPRIETARY AND CONFIDENTIAL

THE INFORMATION CONTAINED IN THIS DRAWING IS THE SOLE PROPERTY OF C3 POWERSPORTS 2014 LTD. ANY REPRODUCTION IN PART OR AS A WHOLE WITHOUT THE WRITTEN PERMISSION OF C3 POWERSPORTS 2014 LTD IS PROHIBITED.



DWG. NO.

REV.

YASU1637 D1

DATE

JULY 11-2016

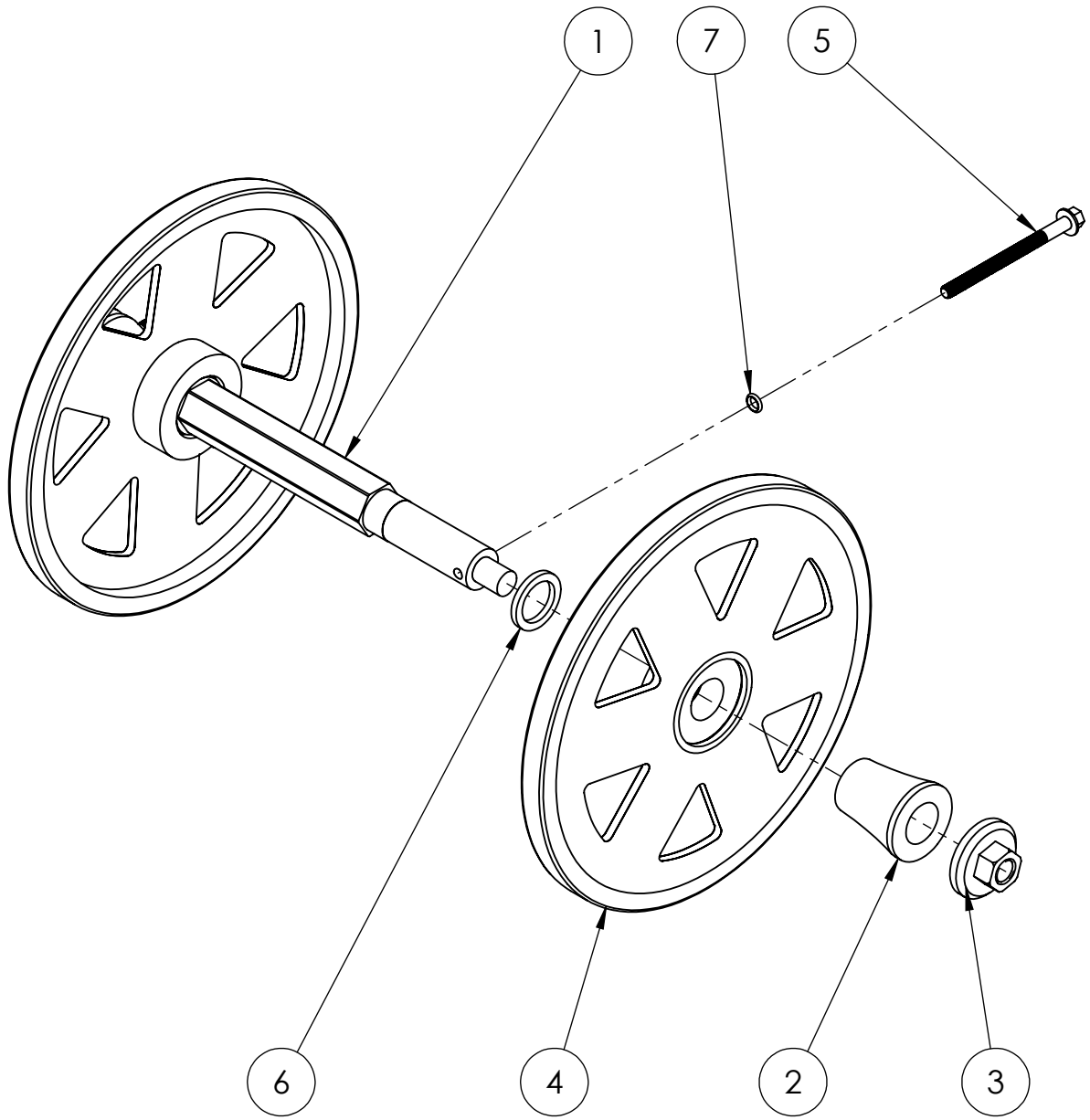
WEIGHT: 3.227

2

1

B

B



A

A

### SLR SUSPENSION, AXLE ASSEMBLY

**C3 POWERSPORTS 2014 LTD**

#1 - 17 RENAULT CRESENT,  
ST. ALBERT, AB. T8N 4B7  
PH 780 419-2040 888 267-5554 www.c3powersports.com

**PROPRIETARY AND CONFIDENTIAL**

THE INFORMATION CONTAINED IN THIS DRAWING IS THE SOLE PROPERTY OF C3 POWERSPORTS 2014 LTD. ANY REPRODUCTION IN PART OR AS A WHOLE WITHOUT THE WRITTEN PERMISSION OF C3 POWERSPORTS 2014 LTD IS PROHIBITED.



DWG. NO.

REV.

**YASU1639 D1**

DATE

**JULY 11-2016**

WEIGHT: 1.156

2

1

2

1

ITEM NO.	PART NUMBER	DESCRIPTION	QTY.
1	YPSU1360	REAR AXLE CENTER 6061 ALUMINUM	1
2	YPSU1362	REAR AXLE FIBER REINFORCED PA COLLAR	2
3	YPSU1361	REAR AXLE OUTER NUT (ALUMINUM) 17MM HEAD	2
4	YPSU1365	REAR WHEEL 8" PLASTIC W/BEARING	2
5	YPHW1640	BOLT, M6-1.0 X 75mm, FLANGE HEAD 8mm HEX DRIVE, Ti	2
6	YPSU1367	AXLE 3MM SPACER AL	2
7	YPHW1695	ORING, #009 7/32 ID X 1/16 C.S. X 11/32 OD	2

## OPTIONS

4	YACU2103	WHEEL, 8" REAR, CARBON W/BEARING	1

## NOTES:

1. THE ORIGINAL 2016 YETI ALUMINUM BLACK ANODIZED LOWER SHOCK SHAFTS HAVE BEEN UPGRADED TO A STRONGER TITANIUM UPGRADE KIT PART NUMBER YACU2062. SEE DRAWING YPCU2062 FOR MOR DETAILS.
2. EARLY 2016 AXLES REQUIERED ITEM #6 SPACER. LATER KITS DID NOT USE.

## SLR SUSPENSION, AXLE ASSEMBLY

### C3 POWERSPORTS 2014 LTD

#1 - 17 RENAULT CRESENT,  
ST. ALBERT, AB. T8N 4B7  
PH 780 419-2040 888 267-5554 www.c3powersports.com

#### PROPRIETARY AND CONFIDENTIAL

THE INFORMATION CONTAINED IN THIS DRAWING IS THE SOLE PROPERTY OF C3 POWERSPORTS 2014 LTD. ANY REPRODUCTION IN PART OR AS A WHOLE WITHOUT THE WRITTEN PERMISSION OF C3 POWERSPORTS 2014 LTD IS PROHIBITED.



DWG. NO.

REV.

YASU1639 D1

DATE

JULY 11-2016

WEIGHT: 1.156

2

1