

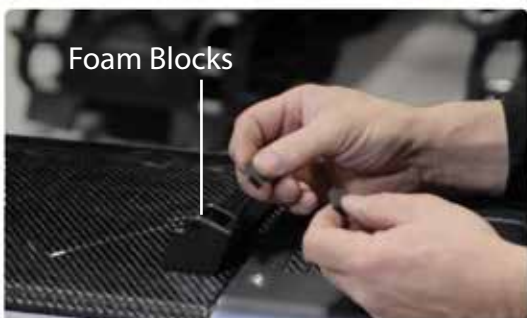


INSTALLATION PROCEDURE



Our Cargo Rack is built with strong CNC aluminum channels . There are three available sizes that match to the length of your YETI.

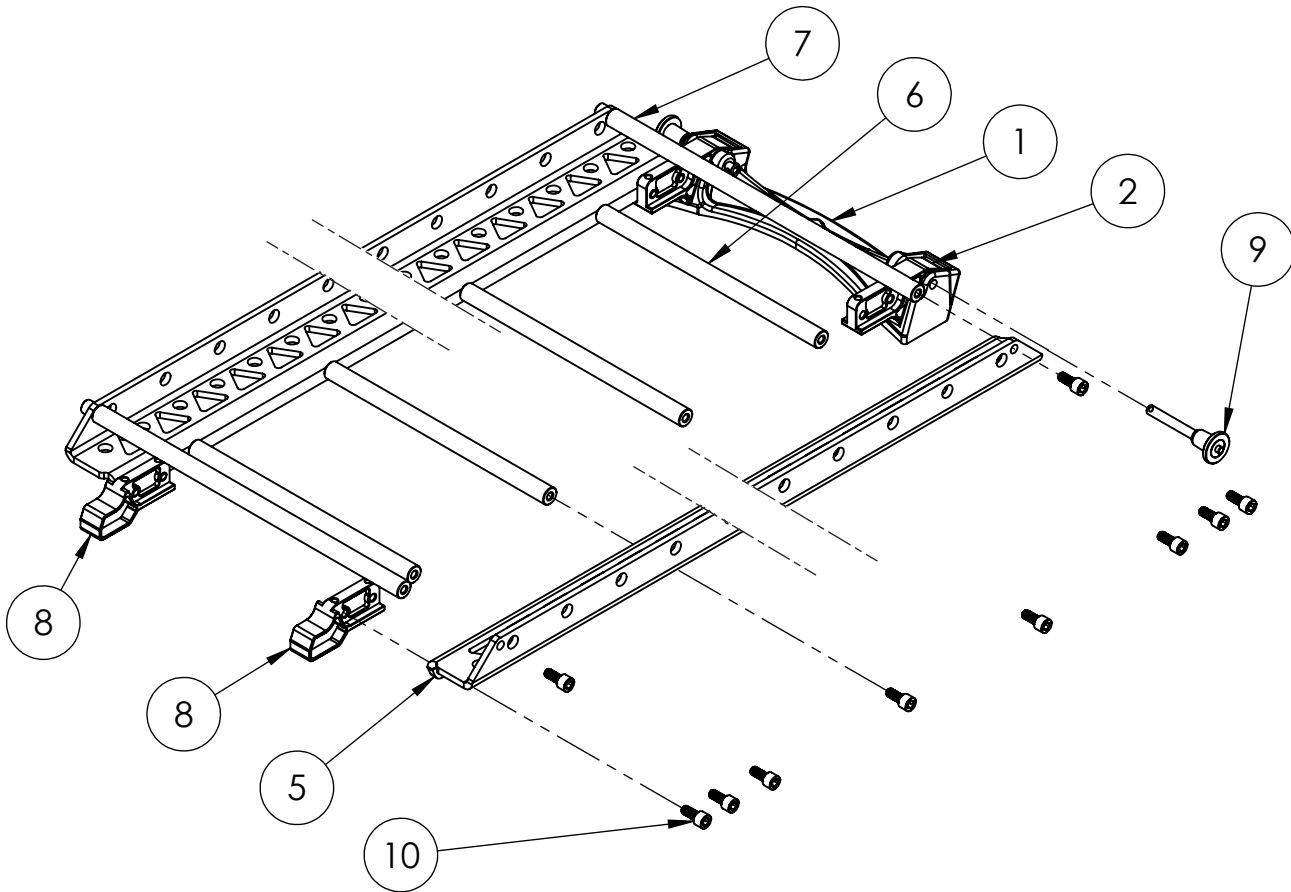
To assemble your “CARGORAK” follow these instructions or refer to our website at: www.yetisnowmx.ca



CARGORAK INSTALLATION

1. Make sure that the YETICAN mount is already installed. You cannot install the cargo rack without the YETICAN mount.
2. Insert the rear cargo rack plastic mount provided over the two rear brackets and secure it with both “Quick pins”.
3. Position the CARGORAK front into the YETICAN installed front mount.
4. Centre the CARGORAK rear plastic mount to the centre screw on the bumper for reference.
5. Using a Sharpie trace the edges of the mount onto the chassis
6. Peel back the sticky foam pad and position it within the markings you just made
7. Drill through holes in foam with a sharp 7/32” bit.
8. Secure the mount with the screws provided in the package using blue Loctite.
10. Peel and insert the small foam blocks in the depressions of the rear cargo mount.
11. Remount your CARGORAK and secure it with the “Quick pins” provided.

"CARGORAK" ASSEMBLY



ITEM NO.	PART NUMBER	DESCRIPTION	QTY.
1	YPAC1666D6	MOUNT, REAR CARGO RACK	1
2	YPAC2230D2	BRACKET, REAR CARGO MOUNT	2
5	YPAC1949D6	PLATE, 129" CARGO RACK 120"- YPAC1952D6 137"-YPAC1953D6	2
6	YPAC1950D1	SHAFT, CARGO RACK, LOWER	4
7	YPAC1951D1	SHAFT, CARGO RACK, UPPER	2
8	YPAC2229D2	BRACKET, FRONT CARGO MOUNT	2
9	YPAC1693D2	PIN, QUICK, BUTTON HANDLE, 1.5" GRIP, .25" DIA	2
10	YPHW2298	BOLT, M6-1.0 X 14mm, SOCKET HEAD 5mm DRIVE, Ti	18 20 22

