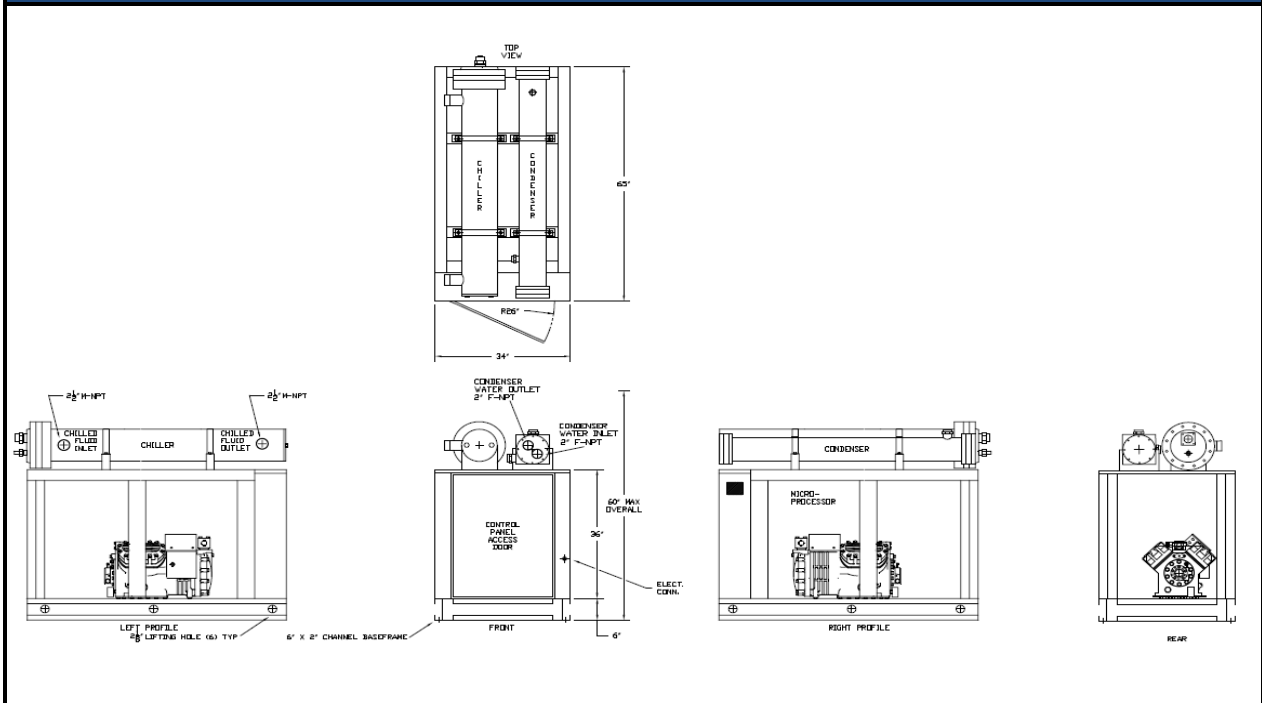




# PWC200S

## PACKAGED WATER-COOLED 17 HP SINGLE CIRCUIT SEMI-HERMETIC

### DIMENSIONAL DRAWINGS



LENGTH	WIDTH	HEIGHT	WEIGHT	FLUID CONNECTIONS
65"	34"	60" MAX	1120 LBS	2 1/2" M-NPT

### PRODUCT PERFORMANCE INFORMATION

REFRIGERANT	COMPRESSOR OPER. TEMP. SUCTION RANGE	LFT °F	70°F COND		90°F COND		105°F COND		120°F COND	
			TONS	EER	TONS	EER	TONS	EER	TONS	EER
R407C	10°F to 55°F	20	10.9	14.5	9.3	10.7	8.1	8.7	7.0	7.1
		30	13.9	17.6	12.0	12.6	10.6	10.1	9.1	8.1
		40	17.4	21.3	15.2	14.9	10.6	11.8	11.7	9.3
		50	21.7	26.0	18.9	17.8	16.8	13.8	14.7	10.7
		60	N/A	N/A	23.4	21.4	20.8	16.2	18.2	12.4
R404A	-10°F to 45°F	0	8.3	10.7	6.9	8.1	5.8	6.6	4.7	5.4
		10	10.8	12.6	9.0	9.3	7.6	7.6	6.3	6.1
		25	15.4	16.3	12.9	11.6	11.1	9.2	9.3	7.3
		40	21.1	21.5	17.9	14.5	15.6	11.3	13.2	8.9
		50	N/A	N/A	21.9	17.1	19.1	13.1	16.2	10.1
		55	N/A	N/A	24.2	18.7	21.1	14.1	17.9	10.8

**DRAKE REFRIGERATION INC**  
 2900 SAMUEL DRIVE  
 BENSLEM, PA 19020  
 (888) 289-7299  
[www.drakechillers.com](http://www.drakechillers.com)

\*ALL INFORMATION **FOR REFERENCE ONLY**



# PWC200S

## PACKAGED WATER-COOLED 17 HP SINGLE CIRCUIT SEMI-HERMETIC

### STANDARD FEATURES

FEATURE	BENEFIT
Listings	ETL 3046941, UL STD 1995, CAN/CSA STD, C22.2 No. 236
Microprocessor Control	Stand alone, simple, accurate control with over 10 years of field testing
Shell and Tube or Stainless Steel Brazed Plate Evaporator	Fully insulated and selected upon application requirements
Semi-Hermetic Compressor	Industry leader, rebuildable, long lasting compressor
Compressor Crankcase Heater	Prevents compressor damage caused by cold refrigerant on startup
Suction Accumulator	Protects the compressor from damage caused by liquid flood back by preventing liquid from entering the compressor
Water Flow Switch	Protects against process fluid freezing caused by fluid pump failure
Coaxial Steel/Copper Tube Condenser	Highly efficient water cooled design
Compressor Vibration Eliminators	Eliminates vibration transfer and reduces noise
Painted Galvanized Steel Metal Cabinet	Sturdy, corrosion resistance, professional appearance
Insulated Process Fluid Lines	Maximum thermal efficiency
Factory Tested	Ensures the unit meets the customer's performance designed criteria and arrives in working order
Full Refrigerant Charge	Hassle free and more efficient installation
NEMA 3R Rated Electrical	Indoor/outdoor use

### AVAILABLE OPTIONS

OPTIONS	AVAILABLE
Controls	BMS, BAS communications, remote access, monitoring services
Extended Warranty	4 year extended compressor warranty
Electrical	Compressor fusing, phase monitors, disconnects and more
Stainless Steel Pumps	1/3 HP to 25 HP on board pumps in multiple configurations & options
Fluid Piping Upgrades	Flow meters, pressure gauges, low flow bypass valves, and more
Hot Gas Bypass	Aids in the prevention of evaporator freeze ups and capacity control
Head Pressure Control	Condenser Water Regulating valves
Other	Casters, service outlets, city water add-ons, heaters, etc.

More options and customization available, contact factory for information: (888) 289 - 7299

### AVAILABLE MODEL NUMBER VOLTAGE REFERENCE

T3 (208-230/3/60) --- T4 (460/3/60) --- T5 (575/3/60)

### PRODUCT INFORMATION

MODELS AVAILABLE	COMPRESSOR			CONDENSER		RLA EA	LRA EA	MCA	MOP	RECIRC. TANK
	MODEL	QTY	HP	QTY	CONNECTION					
R407C R404A	4C2397SH	1	17	1	2" F-NPT	70.3	352	90	155	N/A
PWC200S3-T3-S						32	176	40	70	
PWC200S3-T4-S						25.4	140	35	55	
PWC200S3-T5-S	4C2397SH	1	17	1	2" F-NPT	70.3	352	90	155	N/A
PWC200S6-T3-S						32	176	40	70	
PWC200S6-T4-S						25.4	140	35	55	
PWC200S6-T5-S										

**DRAKE REFRIGERATION INC**  
 2900 SAMUEL DRIVE  
 BENSLEM, PA 19020  
 (888) 289-7299  
[www.drakechillers.com](http://www.drakechillers.com)

\*ALL INFORMATION **FOR REFERENCE ONLY**