

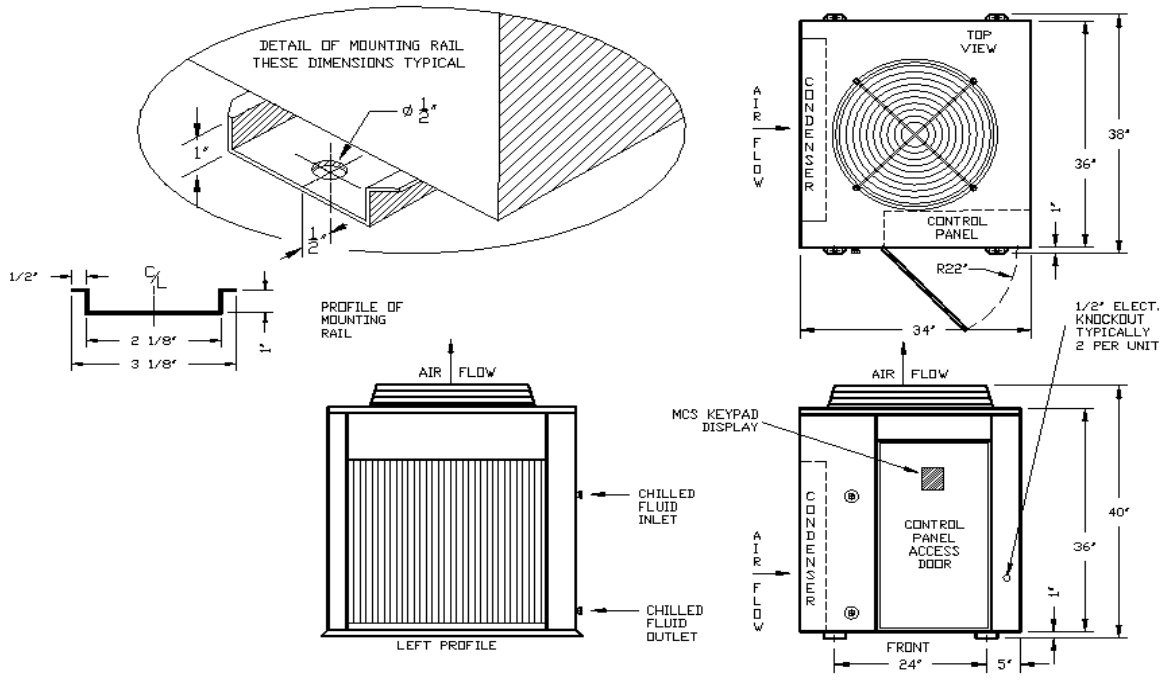


®

PAC24S

PACKAGED AIR-COOLED 2.5 HP SINGLE CIRCUIT SCROLL

DIMENSIONAL DRAWINGS



| LENGTH | WIDTH | HEIGHT | WEIGHT | FLUID CONNECTIONS |
|--------|-------|--------|---------|-------------------|
| 34" | 38" | 40" | 275 LBS | 1" F-NPT |

PRODUCT PERFORMANCE INFORMATION

| REFRIGERANT | COMPRESSOR OPER. SUCTION TEMP. RANGE | LFT °F | 80°F AMB | | 90°F AMB | | 95°F AMB | | 100°F AMB | | 105°F AMB | |
|-------------|--------------------------------------|--------|----------|------|----------|------|----------|------|-----------|------|-----------|------|
| | | | TONS | EER | TONS | EER | TONS | EER | TONS | EER | TONS | EER |
| R407C | 25°F to 55°F | 35 | 1.7 | 9.3 | 1.6 | 7.9 | 1.5 | 7.2 | 1.5 | 6.6 | 1.4 | 6.0 |
| | | 45 | 2.1 | 11.4 | 2.0 | 9.7 | 1.9 | 9.0 | 1.9 | 8.2 | 1.8 | 7.5 |
| | | 55 | 2.6 | 13.9 | 2.5 | 11.9 | 2.4 | 11.0 | 2.3 | 10.1 | 2.2 | 9.3 |
| | | 65 | 3.2 | 16.6 | 3.0 | 14.3 | 2.9 | 13.2 | 2.8 | 12.3 | 2.7 | 11.3 |
| R404A | -10°F to 45°F | 0 | 1.1 | 5.4 | 1.0 | 4.4 | 0.9 | 4.0 | 0.9 | 3.6 | 0.8 | 3.2 |
| | | 10 | 1.4 | 6.5 | 1.2 | 5.4 | 1.2 | 4.9 | 1.1 | 4.4 | 1.0 | 3.9 |
| | | 25 | 1.8 | 8.5 | 1.7 | 7.2 | 1.6 | 6.5 | 1.5 | 5.9 | 1.4 | 5.4 |
| | | 40 | 2.4 | 10.8 | 2.2 | 9.1 | 2.1 | 8.3 | 2.0 | 7.6 | 1.9 | 6.9 |
| | | 55 | 3.0 | 13.1 | 2.8 | 11.2 | 2.7 | 10.3 | 2.5 | 9.4 | 2.4 | 8.6 |

DRAKE REFRIGERATION INC
 2900 SAMUEL DRIVE
 BENSALEM, PA 19020
 (888) 289-7299
www.drakechillers.com

*ALL INFORMATION **FOR REFERENCE ONLY**



PAC24S

PACKAGED AIR-COOLED 2.5 HP SINGLE CIRCUIT SCROLL

| STANDARD FEATURES | |
|---|---|
| FEATURE | BENEFIT |
| Listings | ETL 3046941, UL STD 1995, CAN/CSA STD, C22.2 No. 236 |
| Micro Control Systems Controller | Open source, microprocessor built to operate in the HVAC/R industry |
| Controls | BMS, BAS communications, remote access, monitoring services |
| Stainless Steel Brazed Plate Evaporator | Corrosion resistant, fully insulated and selected upon requirements |
| Copeland Scroll Compressor | Industry leader, long lasting compressor |
| Compressor Crankcase Heater | Prevents compressor damage caused by cold refrigerant on startup |
| Suction Accumulator | Protects the compressor from damage caused by liquid flood back by preventing liquid from entering the compressor |
| Water Flow Switch | Protects against process fluid freezing caused by pump failure |
| Hot Gas Bypass | Aids in the prevention of evaporator freeze ups and capacity control |
| Copper Tube/Aluminum Fin Condenser | Rust resistant and high CFM |
| Painted Galvanized Steel Metal Cabinet | Sturdy, corrosion resistance, professional appearance |
| Insulated Process Fluid Lines | Maximum thermal efficiency |
| Factory Tested | Ensures the unit meets the customer's performance designed criteria and arrives in working order |
| Full Refrigerant Charge | Hassle free and more efficient installation |
| NEMA 3R Rated Electrical | Indoor/outdoor use |
| Phase Monitors | Electrical protection for compressors |

| AVAILABLE OPTIONS | |
|---|---|
| OPTIONS | AVAILABLE |
| Extended Warranty | 4 year extended compressor warranty |
| Electrical | Compressor fusing, disconnects, circuit breakers and more |
| Stainless Steel Pumps | 1/3 HP to 25 HP on board pumps in multiple configurations & options |
| Fluid Piping Upgrades | Flow meters, pressure gauges, low flow bypass valves, and more |
| Coastal Protection/Hazardous Environments | Heresite coating, "Gold" and Copper condenser coils |
| Low Ambient Protection | EC fan for temperature down to +10°F, Head pressure control for temperatures down to 20°F, Heated receivers for temperature down to -40°F |
| Other | Casters, service outlets, city water add-ons, heaters, etc. |

More options and customization available, contact factory for information: (888) 289 - 7299

| AVAILABLE MODEL NUMBER VOLTAGE REFERENCE |
|---|
| S2 (208-230/1/60) --- T3 (208-230/3/60) --- T4 (460/3/60) |

| PRODUCT INFORMATION | | | | | | | | | | |
|---------------------|------------|-----|-----|-----------|--------|--------|--------|-----|-----|--------------|
| MODELS AVAILABLE | COMPRESSOR | | | FAN MOTOR | | RLA EA | LRA EA | MCA | MOP | RECIRC. TANK |
| | MODEL | QTY | HP | QTY | FLA EA | | | | | |
| R407C R404A | ZB19KCE | 1 | 2.5 | 1 | 3.3 | 15.7 | 73 | 25 | 35 | N/A |
| PAC24S3-S2-Z | | | | | 3.3 | 8.2 | 63 | 15 | 20 | |
| PAC24S3-T3-Z | | | | | 1.6 | 4.3 | 31 | 10 | 10 | |
| PAC24S3-T4-Z | ZB19KCE | 1 | 2.5 | 1 | 3.3 | 17.9 | 73 | 30 | 40 | N/A |
| PAC24S6-S2-Z | | | | | 3.3 | 10 | 63 | 20 | 25 | |
| PAC24S6-T3-Z | | | | | 1.6 | 5 | 31 | 10 | 10 | |
| PAC24S6-T4-Z | | | | | | | | | | |

DRAKE REFRIGERATION INC
 2900 SAMUEL DRIVE
 BENSALEM, PA 19020
 (888) 289-7299
www.drakechillers.com

*ALL INFORMATION **FOR REFERENCE ONLY**