

#### ABOUT SECURE-NOK™

Secure-NOK™ is a cybersecurity specialist company for Industrial Control Systems. The company was established in 2010 and has offices in Norway (Hamar) and in the U.S. (Houston, TX).

Secure-NOK™ is comprised of an international team with extensive experience in controls and automation systems cybersecurity, including SCADA and embedded systems.

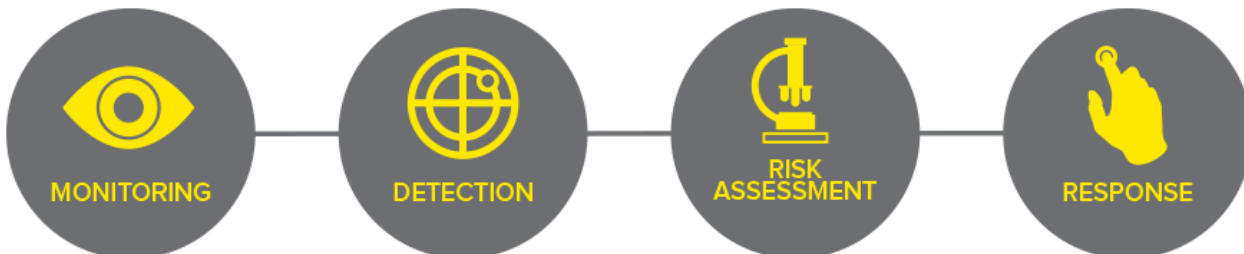


#### MISSION STATEMENT:

Secure-NOK™ offers **SNOK™**, an easy-to-use, state-of-the-art tool for monitoring, detection, and early warning of cybersecurity events in industrial control and automation systems.

Through our products and services, Secure-NOK™ enables well-informed security decisions. We provide knowledge and awareness of security risks and their consequences and support our customers with holistic defence strategies and solutions.

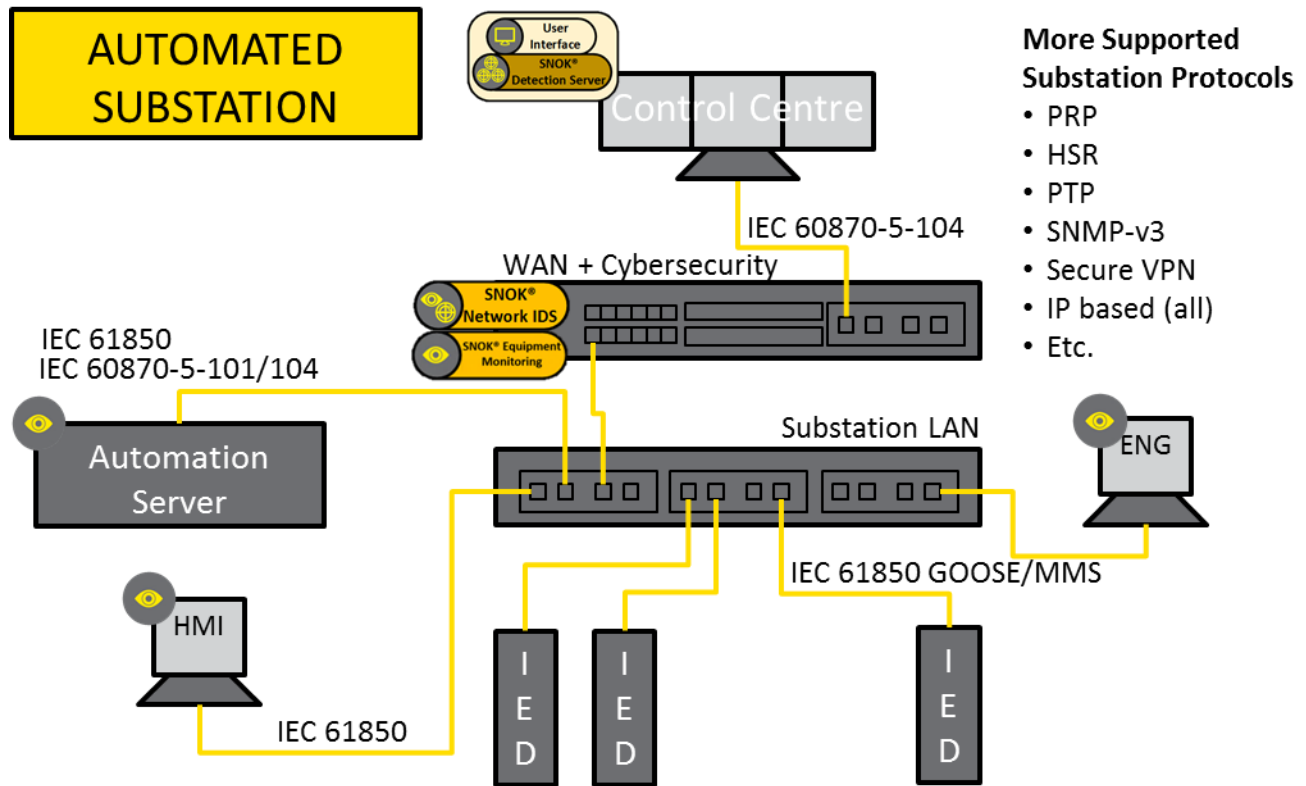
**Secure-NOK™ provides products and solutions that detect and remove cyber-attacks such as espionage, sabotage, malware and other harmful cybersecurity events in Energy installations.**





# Substation Security

SNOK™ is the quick and non-intrusive cybersecurity monitoring solution for your electrical power generation, transmission and distribution systems.



### More Supported Substation Protocols

- PRP
- HSR
- PTP
- SNMP-v3
- Secure VPN
- IP based (all)
- Etc.

**SNOK™ Equipment Monitoring** is the tool you need to ensure resilience of your infrastructure as the Smart Grid with an increased number of connected devices is a vital part of your operation.

- 🔒 Minimizes needs for Anti-Virus and Patch Management
- 🔒 Compliments and improves IT & ICS security solutions such as SIEM, Firewalls and Secure Remote Access
- 🔒 Requires minimal system resources
- 🔒 Signature free anomaly detection

**SNOK™ Network IDS** monitors internal and external communications. It detects viruses, malware and Advanced Persistent Threats, including those undetectable by conventional security tools.

- 🔒 Quick and easy to install and configure
- 🔒 Non-intrusive & signature free
- 🔒 Effective anomaly detection at Layers 2, 3 & 4
- 🔒 Works on encrypted communication



# SNOK<sup>®</sup> Reducing cost of compliance

SNOK™ is designed and developed to meet the needs of ICS owners. We provide a scalable, low maintenance and low cost cybersecurity solution with early warning of cyber-attacks.

SNOK™ helps you comply with relevant law and industry standards such as governmental reporting requirements, NIST Cybersecurity Framework and NERC CIP.

**NERC CIP** compliance requires a combination of people, processes and technology. SNOK™ provides the perfect tool to provide your team with real-time cybersecurity awareness and reports. Furthermore, Secure-NOK and our partners helps your team by performing and/or optimizing NERC CIP mandated processes.

Standard	Topic	SNOK® Network IDS
CIP-002-5.1	Critical Cyber Assets	Categorization
CIP-005-5	Electronic Security	Safe Zone Detect malicious communications
CIP-007-6	Systems Security Management	Security patch management Malicious code prevention Security event monitoring
CIP-008-5	Incident Reporting and Response Planning	Identify cyber security incidents Retain records
CIP-010-2	Configuration Change Management	Monitor configuration changes Transient cyber assets Removable media

## User Story

*30 minutes after installing SNOK™, the dynamic network topology showed IP addresses unknown to the system integrator.*

*In less than 24 hours of configuration and baseline behavior learning we had proved detection of:*

- *New device on the network*
- *Data exfiltration*
- *Abnormal machine-to-machine communication*





# Scaling to the grid

Electrical grid assets are not operated in Isolation, that is why SNOK™ scales easily and flexibly. You have the option of starting small with SNOK™ monitoring of one substation. Or you can install SNOK™ across hundreds of assets and several control centers to optimize your cybersecurity program.

On an asset level, SNOK™ supports legacy technology as well as the state of the art. In the control center, a **SNOK™ Detection Server** monitors all connected assets, perform cross-site analysis and gives your team real time risk assessment and incident response capabilities as well as reporting and forensics tools. Finally, Secure-NOK Analysis Center helps with highly competent personnel to resolve your cybersecurity events.

- 🔒 For power plant, substation and feeder systems
- 🔒 Actionable alerts for non-experts
- 🔒 Effective for legacy control systems
- 🔒 Advanced forensics tools for experts
- 🔒 Alerts to SIEM, OPC, SNMP, e-mail etc.
- 🔒 Expert support available

