



ASSEMBLY INSTRUCTIONS
for

MODEL WS-D FIELD SHOWER



ASSEMBLY INSTRUCTIONS MODEL WS-D FIELD SHOWER



1. **Unpack the field bag and inventory the following components:**

- 4 ea. Leg assemblies
- 1 ea. Roof assembly
- 2 ea. Short eave bars with Velcro
- 2 ea. Long eave bars with Velcro
- 2 ea. Short base bars
- 2 ea. Long base bars
- 1 ea. Containment basin
- 1 ea. Showerhead manifold and 10' input hose
- 1 ea. Fabric roof panel
- 1 ea. Fabric wall panel



DOUBLE SHOWER CASE

CAMP PATROL SYSTEMS, 2010

Complete WS-D Double Shower System with 10' and 100' 550PC Pump Pump Kit



Optional Items:

Shower Mat
Shower Caddy
Dry Bag
Towel/Clothes Hook

2. **Unfold the black fabric containment basin with the aluminum support rod sleeves positioned out and away from the basin. Rotate the support rods, placing the end of the rods securely into the corresponding pockets on the sides of the containment basin. With the support rods in place, the basin will be self-supporting.**



- 3. Lay two leg assemblies on the ground about 8 feet apart.**



- 4. Connect one long base bar to the corner blocks at the base of the leg assemblies. Connect the Eave (Velcro) bar to the top of the leg assembly. Connect two of the short Eave and Leg bars to the other side of the corner block on the leg assembly. They will be pointing up.**



- 5. Connect the two remaining leg assemblies to the two short Eave and Leg bars. Connect the two remaining long Eave and base bars to the leg assemblies.**



6. **Stand the frame in the up position. Install the roof assembly by inserting the angle corners in the pockets at the top of the leg assemblies. At this point you can also install the (optional) clothes hook assembly. Slide it over one of the long eave bars.**



7. **Install the showerhead manifold onto the center of one of the long eave bars with the hardware towards the inside of the shower.**



8. **Attach the input hoses to the manifold.**
9. **Lift frame assembly into the shower berm and place the fabric roof panel over roof assembly without attaching to eave bar Velcro.**



10. **Begin attaching the wall panel to the shower frame, starting at the center of the long eave bar opposite the shower manifold and stretching tight around the perimeter of the frame until the end of the wall panel meets and attaches to its other end.**



11. **Attach Shower Caddy and Dry bag then secure the fabric roof panel to the fabric wall panel. Secure the interior divider wall to the Velcro strip on the inside of the wall panel. Attach and hook the center of the divider wall to the peak bar.**



12. **Lift the entire shower shelter and place into the containment basin. The shower is now complete.**

Optional Model DPP550 Electric Sump Pump

13. **Attach the suction strainer hose to the 3/4" GHT fitting located in the lower corner of the containment basin, insuring that the strainer is lying flat on the floor of the basin.**



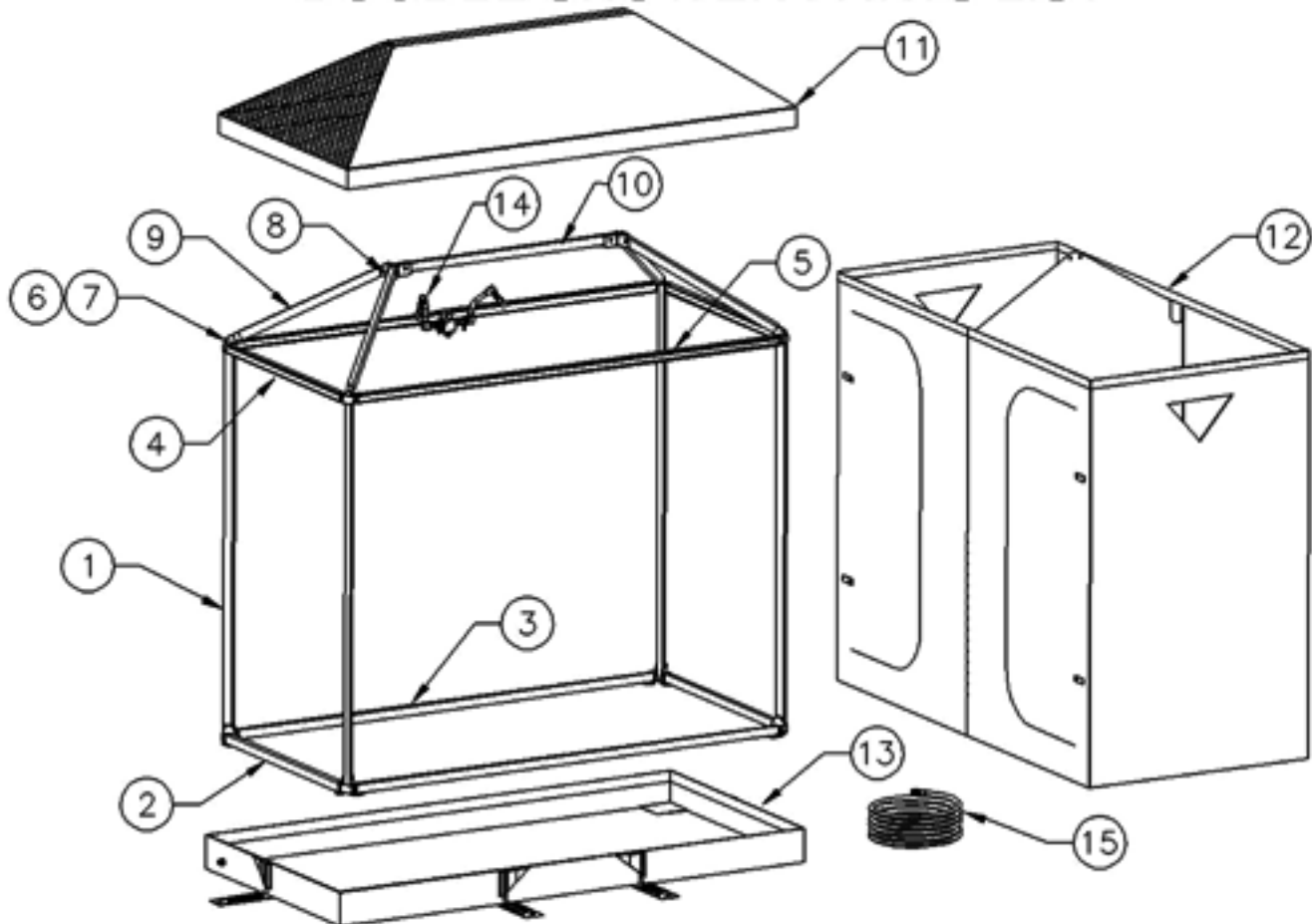
14. **Attach the pump suction hose to the 3/4" GHT fitting on the outside of the basin opposite the suction strainer hose. The pump will evacuate the water from the containment and will not be damaged if run dry.**



15. **Disassembling is a reverse procedure of the assembly process. A brief overview of this process is as follows.**
1. **Remove stakes and tie downs**
 2. **Remove the roof**
 3. **Remove and fold the wall**
 4. **Remove the plumbing manifold**
 5. **Remove the roof assembly**
 6. **Lay structure on the ground**
 7. **Remove one long eave and base bar**
 8. **Remove two short eave and base bars**
 9. **Remove last long eave and base bars**
 10. **Clean and stow in field bag**

©

DOUBLE SHOWER PARTS LIST



PARTS LIST

ITEM	PART NUMBER	QTY	DESCRIPTION
1	WSDSLA	4	SHOWER LEG ASSEMBLY
2	WSDSBB39	2	SHOWER BASE BAR 39
3	WSDSBB83	2	SHOWER BASE BAR 83
4	WSDSEB39	2	SHOWER EAVE BAR 39
5	WSDSEB83	2	SHOWER EAVE BAR 83
6	WSDSRA	4	SHOWER ROOF ANGLE
7	WSDSCBS	8	SHOWER CORNER BLOCK SPACER
8	WSDSRPA	2	SHOWER ROOF PEAK SET
9	WSDSRB30	4	SHOWER ROOF BAR
10	WSDSPB	1	SHOWER PEAK BAR
11	WSDSRF	1	SHOWER ROOF
12	WSDSWL	1	SHOWER WALL
13	WSDSBRM	1	SHOWER BERM
14	WSDSMAN	1	SHOWER MANIFOLD
15	.50 X 10GHTH	1	HOT WATER SUPPLY HOSE, 10 FOOT - RED GHT