

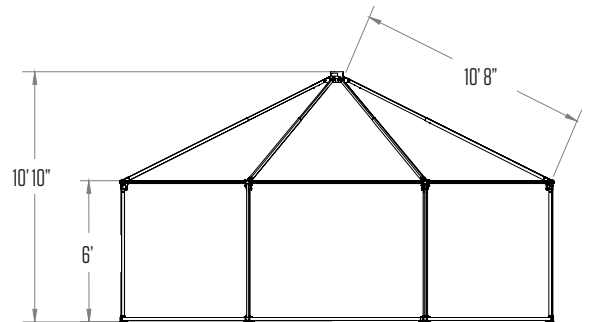
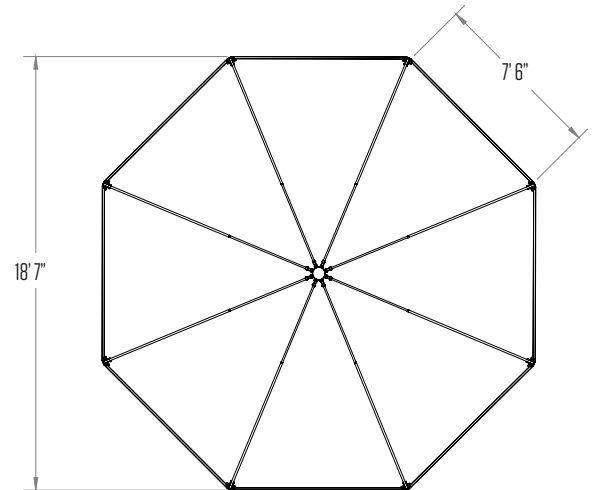


Features and Benefits

- Rapid deployment without aid of ancillary equipment, set-up anywhere
- Lightweight frame, packaging allows shelter to be moved / stowed by two people
- Vertical 6 ft. sidewalls maximize usable square footage
- Sealable vinyl floor maintains environmentally secure shelter (SW-20, SG-20, SK-20)
- Can be configured with roof or walls only for maximum flexibility in deployment
- Interior frame allows access to horizontal support bars capable of holding up to 50 lbs
- Rigid double doors provide a large entryway
- Roof vent caps significantly reduces condensation
- Framework design allows individual replacement of parts
- Flame retardant vinyl is UV resistant for long life, resists mildew and abrasion

Shelter Packages

SH-20	SW-20	SG-20	SK-20
1 Frame	1 Frame	1 Frame	1 Frame
1 Vent Cap	1 Vent Cap	1 Vent Cap	1 Vent Cap
1 Roof	1 Roof	1 Roof	1 Roof
1 Wall	1 Wall	1 Wall	1 Wall
1 Double Door	1 Double Door	1 Double Door	1 Double Door w/ Filler Panels
1 Stake Kit	2 Stake Kit	2 Stake Kit	2 Stake Kit
1 Vinyl Repair Kit	1 Vinyl Repair Kit	1 Vinyl Repair Kit	1 Vinyl Repair Kit
	1 Floor	1 Floor	1 Floor
	1 Threshold Ramp	1 Threshold Ramp	1 Threshold Ramp
		1 Insulation Roof	1 Insulation Roof
		1 Wiring Harness	1 Wiring Harness
		4 T36 Lights	5 T36 Lights
			1 Insulation Wall Set



20 Specifications

Usable Area	18' 7" x 18' 7"	(5.7 x 5.7 m)
Total Weight	344 lbs	(156 kg)
Time Under Canopy	16 min / 4 personnel	
Total Set-Up Time	25 min / 4 personnel	
Square Footage	286 ft ²	(26.6 m ²)
Cube	2178 ft ³	(663.9 m ³)
Environment	-40°F - 120°F	(-40°C to 48.9°C)
Snow Load	10 lbs / ft ² for 12 hrs	(50 kg / m ² for 12 hrs)
Wind Load	55 mph w/gusts to 65 mph	(89 km/h w/gusts to 105 km /h)
Dimensions		
Footprint	18' 7" x 18' 7"	(5.7 x 5.7 m)
Sidewall	6'	(1.8 m)
Peak	10' 10"	(3.3 m)
Packaged Dimensions		Weights
Roof	24 x 20 x 10" (60 x 51 x 25 cm)	40 lbs (18.1 kg)
Door	26 x 3.5 x 72" (66 x 9 x 183 cm)	45 lbs (20.4 kg)
Wall	27 x 28 x 12" (69 x 71 x 31 cm)	74 lbs (33.6 kg)
Vinyl Floor	23 x 20 x 8" (59 x 51 x 20 cm)	48 lbs (21.8 kg)
Frame	91 x 14 x 16" (231 x 36 x 41 cm)	134 lbs (60.8 kg)
Berry Compliant Option	✓	

Recommended Support Systems

Shelter Connecting Systems

Increase the footprint of your shelter system with rigid frame connectors and entryways

Electrical Distribution

Portable power and lighting to sustain your shelter complex

Climate Control

Air heating, cooling, purifying and dehumidifying

Water Distribution

Purification, storage, heating and distribution kits

Hygiene Systems

Field showers and toilet stations

Storage And Transport

Heavy-duty cases and customizable cargo trailers

Digital ID

Your logo or name custom printed on roofs and doors for easy identification

Anchoring Systems

Secure your shelter against high winds

Shelter Accessories

Beds, work stations, tables, seating and food prep



20 system shelter featuring SOI equipment set up and ready for use.